

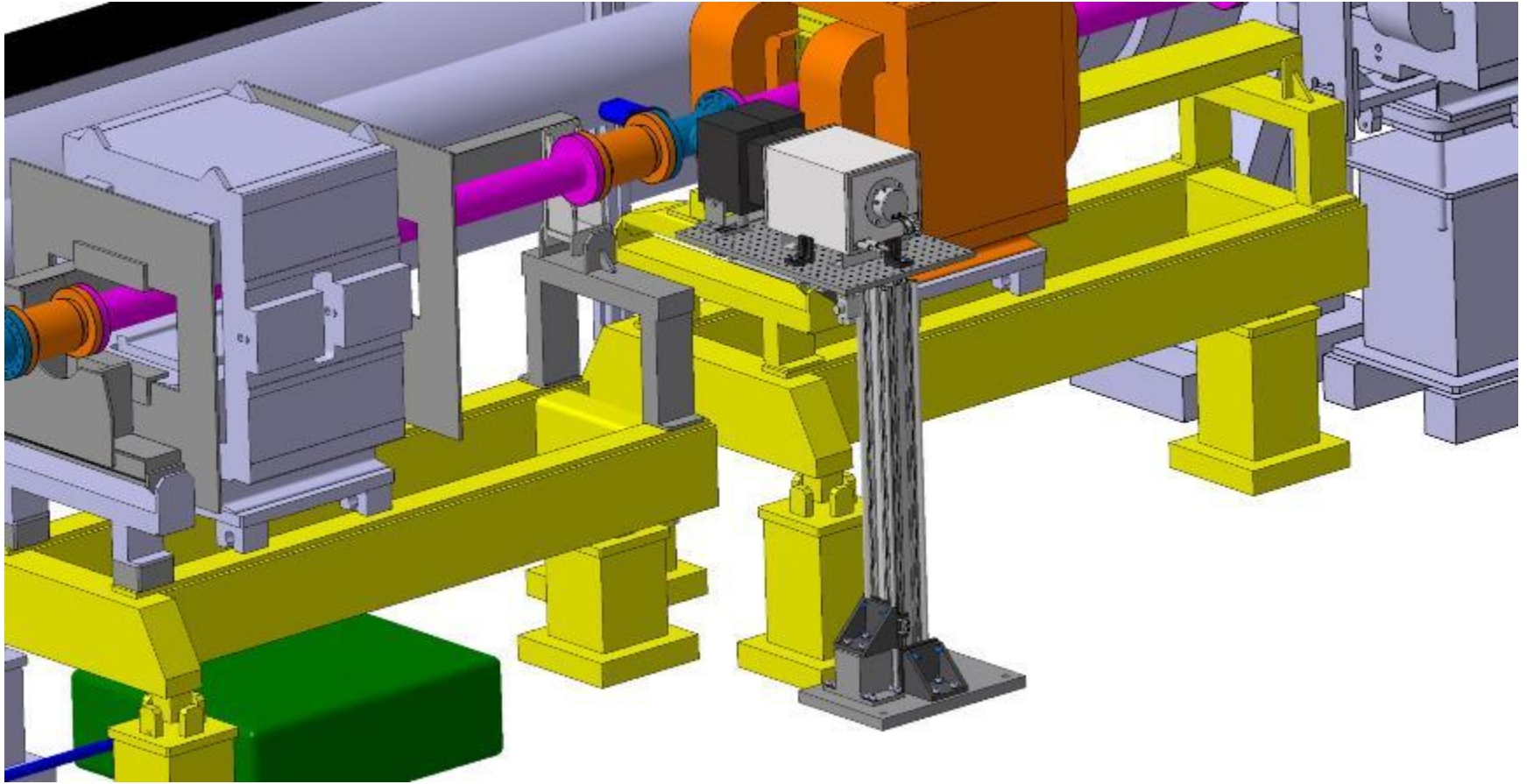
LHC BIF test setup - update

S. Mazzone, 20/12/2017

Status

- Equipment:
 - PMT
 - PMT cooling box
 - HV power supply
 - Discriminator
 - PC
 - USB to fibre converter
 - Filter wheel
 - Filter wheel driver
 - ND filters
 - Color filters
- Cooling: solution proposed by EN-CV. ECR update probably needed. Gerhard following up
- Mechanical design: unclear (to me) the fixation of the optical X95: ground or girder?

Layout



Layout

