

# BGC CERN Update

Tom Dodington, BE-BI-ML

02.02.2017

# Optical Holder

Drawings complete

Can be taken to manufacture by Cockcroft

*Final CERN signatures not present yet.*

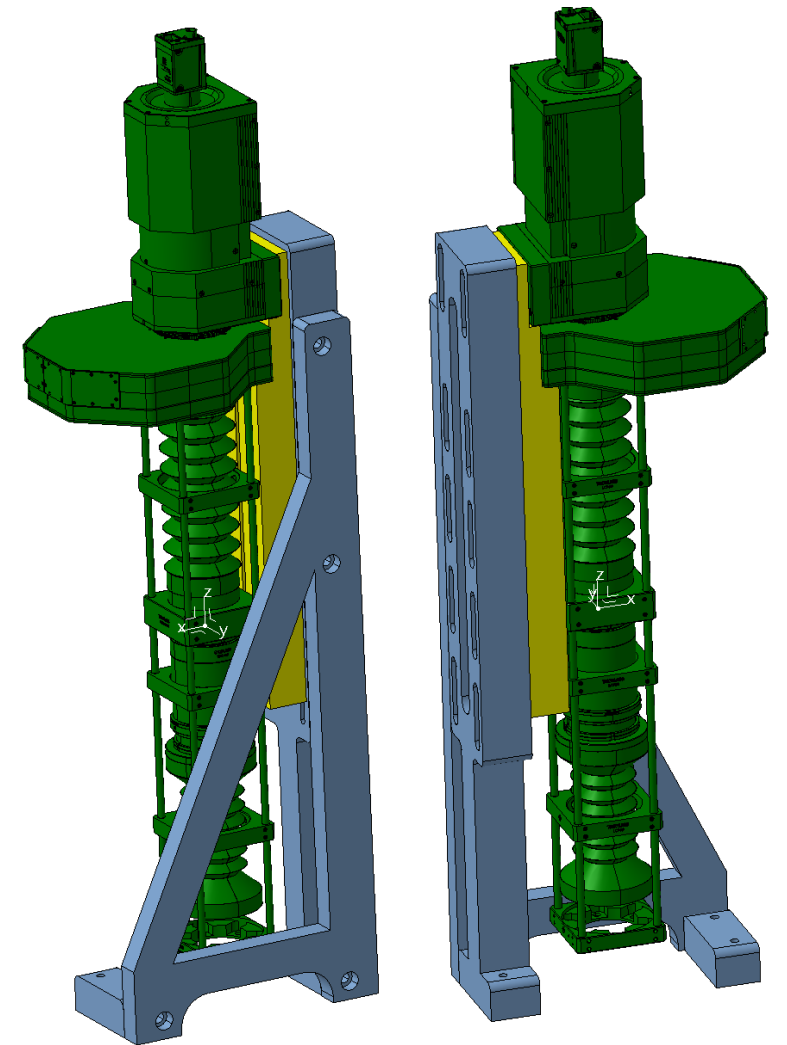
Available now:

[Optical Support](#)

[Optical Gantry A](#)

[Optical Gantry B](#)

[Optical Gantry C](#)



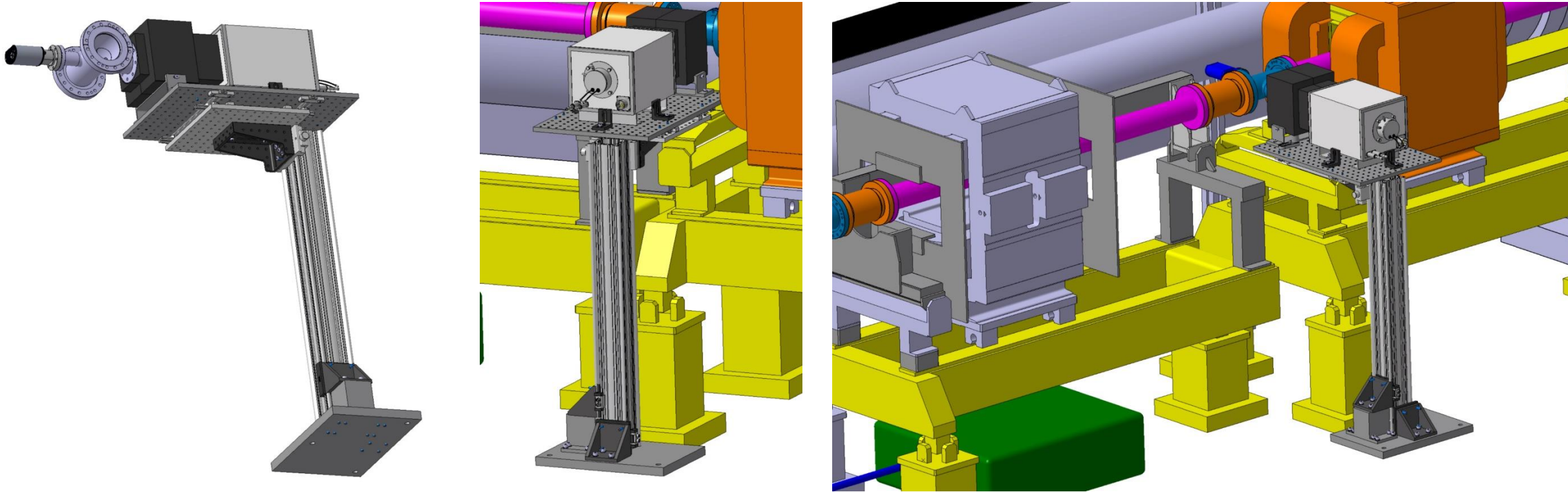
ST0916376\_01

# Fluorescence Monitor Optics

Alexandre Mariet, BE-BI-ML

Mechanical support for Photon Counter installation.

- Light shield production now.
- Finalising design of support components, ensure no floor drilling.



# Skimmers Analysis

## Two skimmers analysed with CERN Metrology

- Controlled by Didier Glaude
- Profil projector (Baty) with 100X magnification  
Used for side view and angle of hole
- CMM Zeiss O-Inspect  
Used for pictures of the holes

EDMS 1898684 v.1

"Skimmers beam molecular"

by Didier GLAUDE

Status: In Work

<https://edms.cern.ch/document/1898684/1/approvalAndComments>

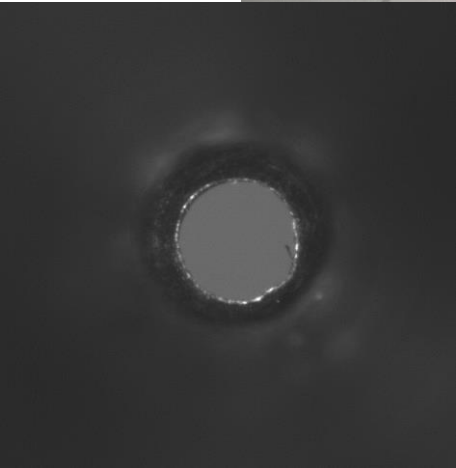


# Skimmers Analysis

Didier Glaude, CERN Metrology

Model 7 size 0.18mm

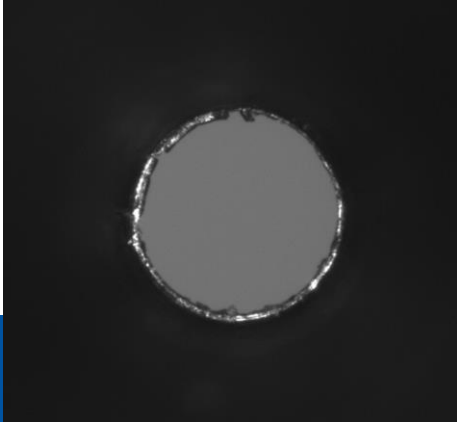
A - 2.26D	6.653mm
D	Ø 0.204mm
Inside Ø	Ø 0.191mm



12µm

Model 7 size 0.41mm

A - 2.26D	6.253mm
D	Ø 0.414mm
Inside Ø	Ø 0.392mm



10µm



[home.cern](https://home.cern)