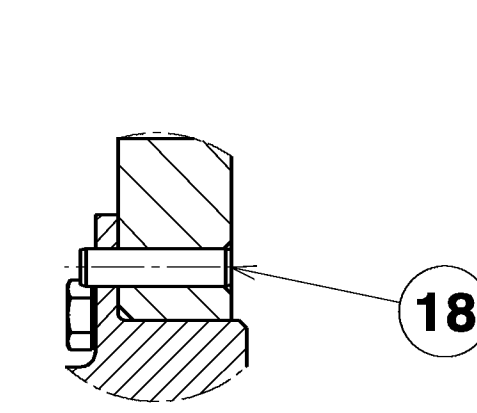
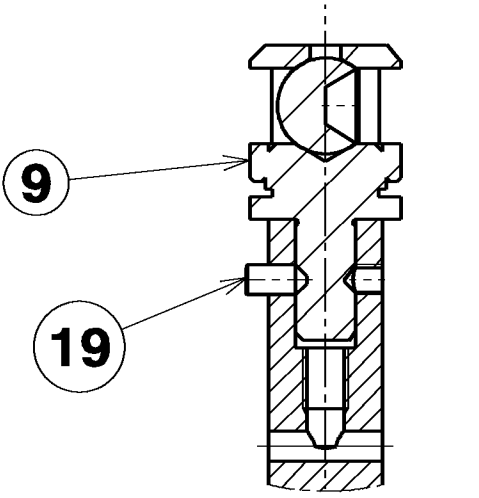


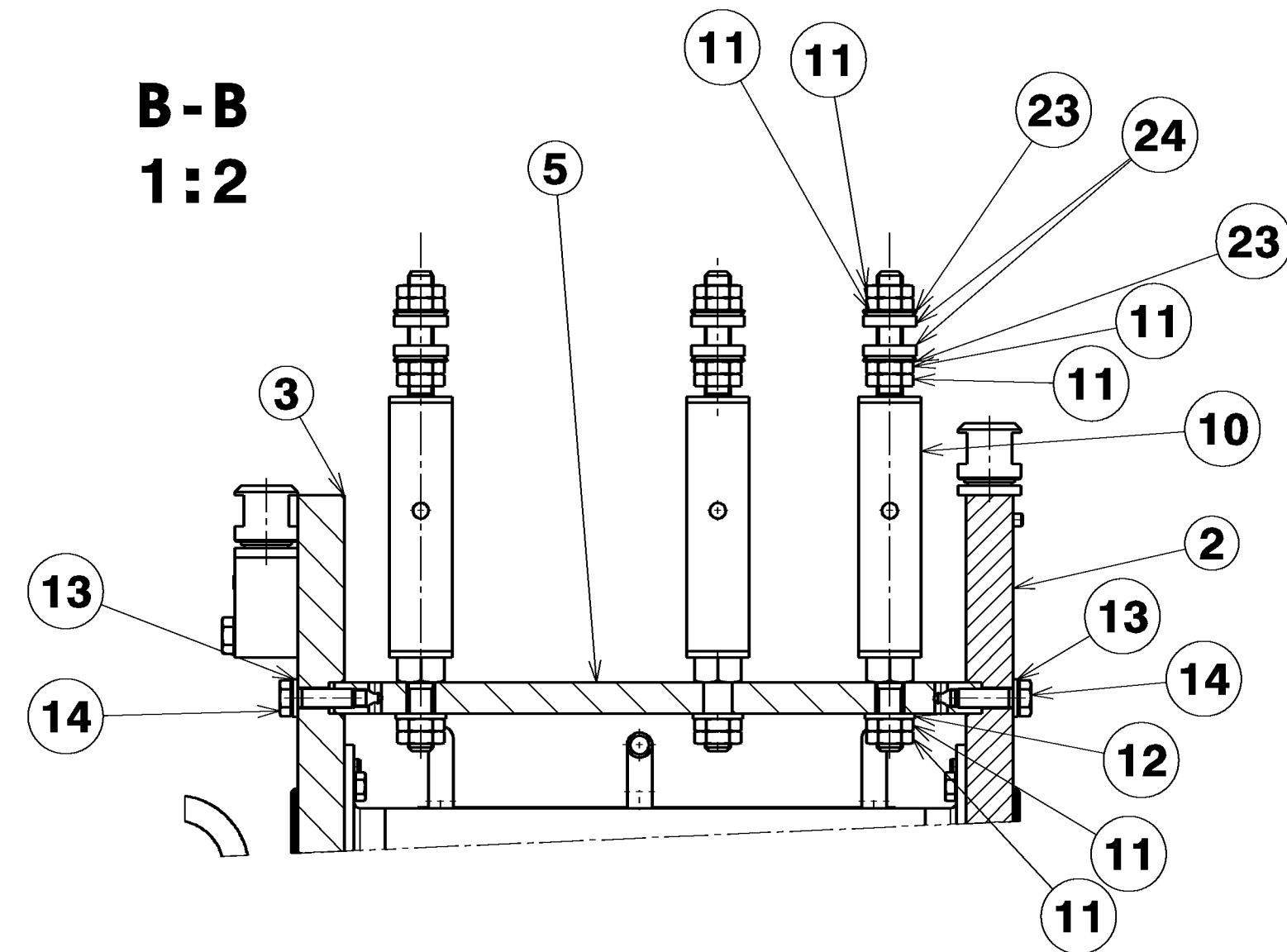
F  
1:1



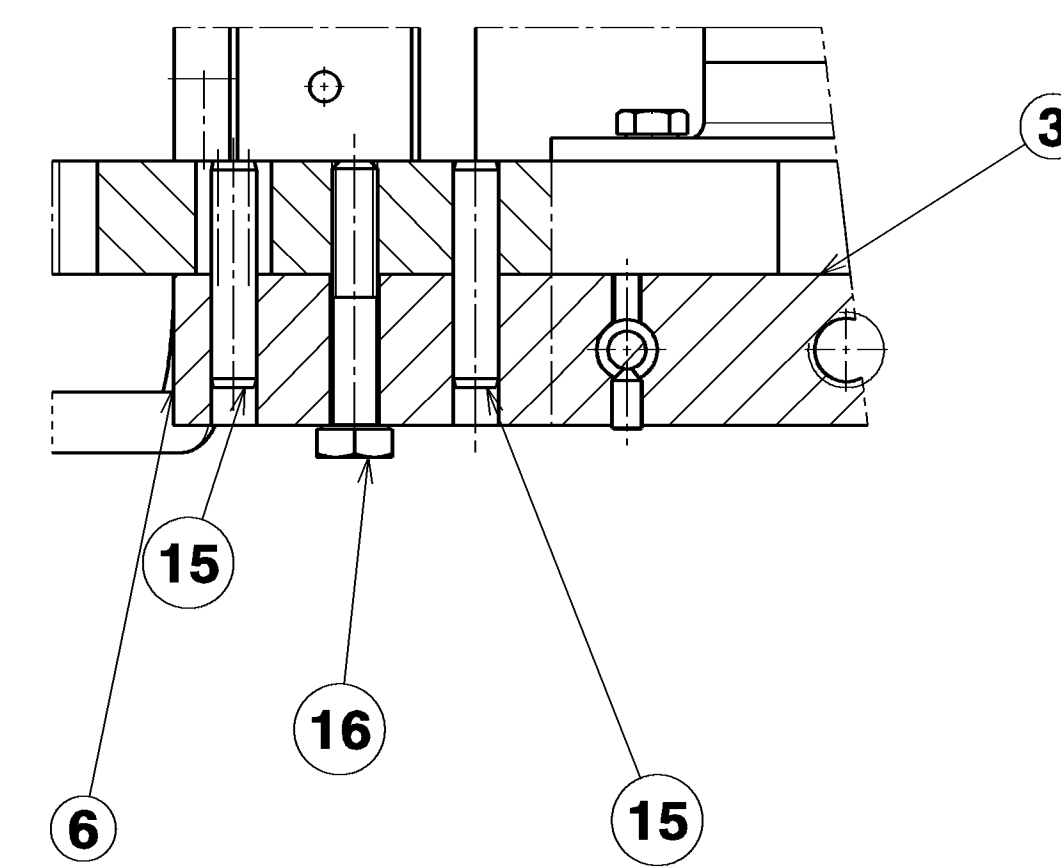
G-G  
1:1



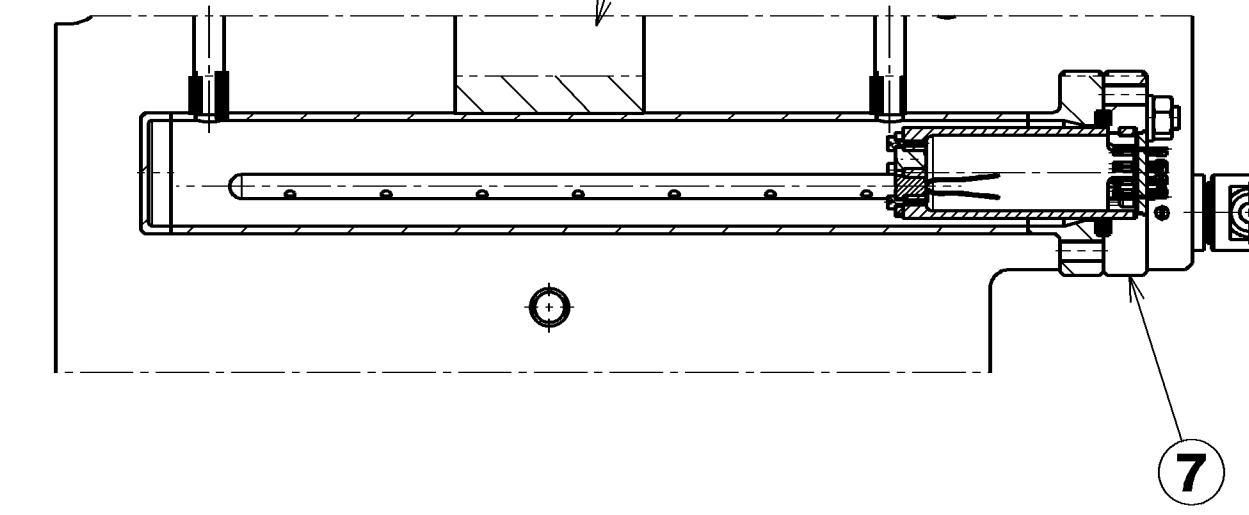
B-B  
1:2



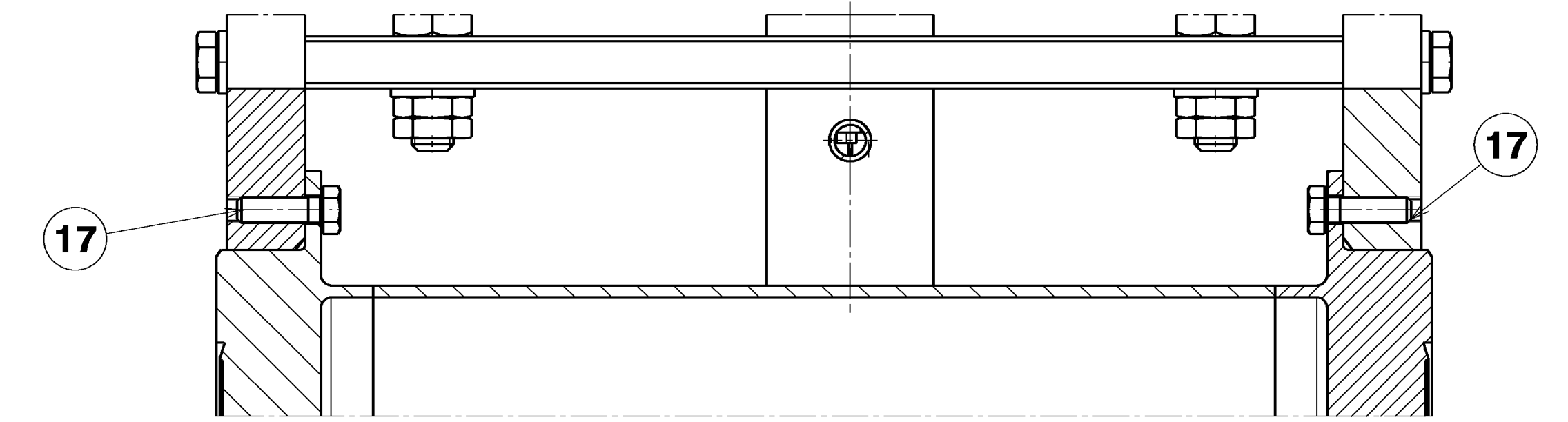
D-D  
1:1



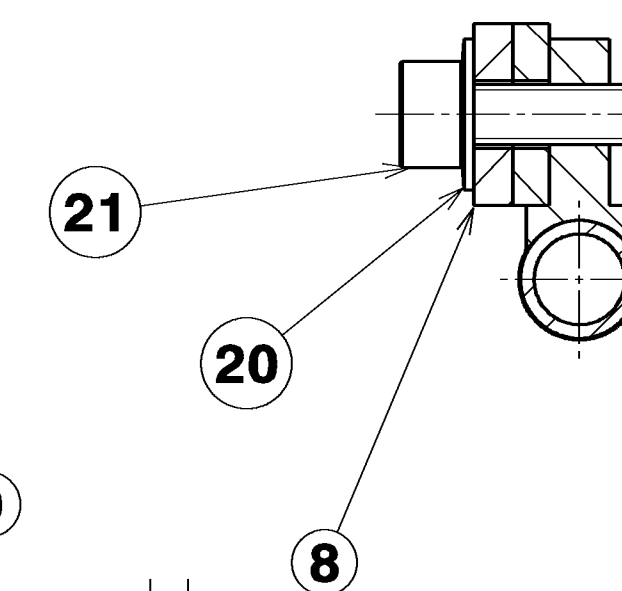
H-H



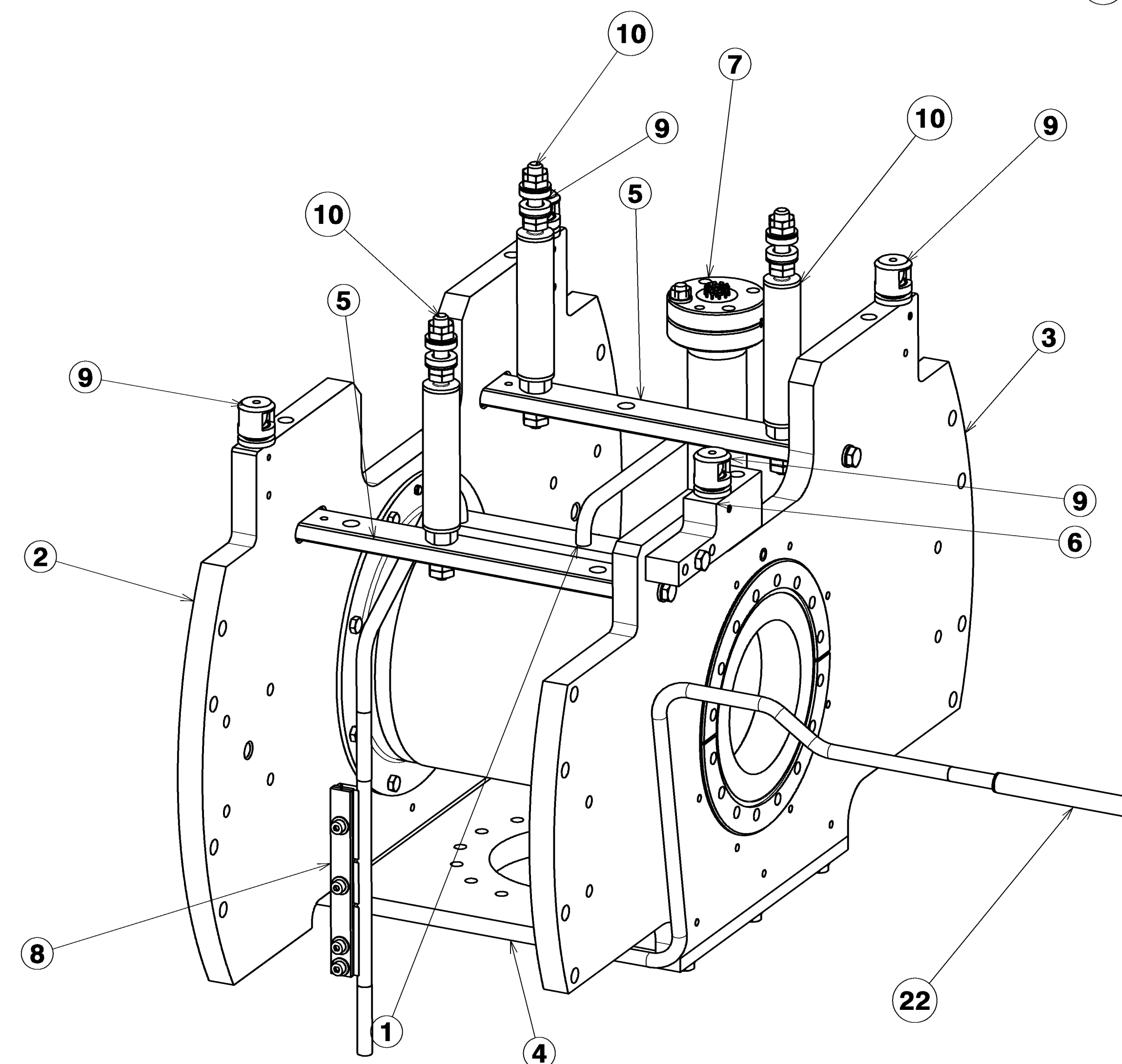
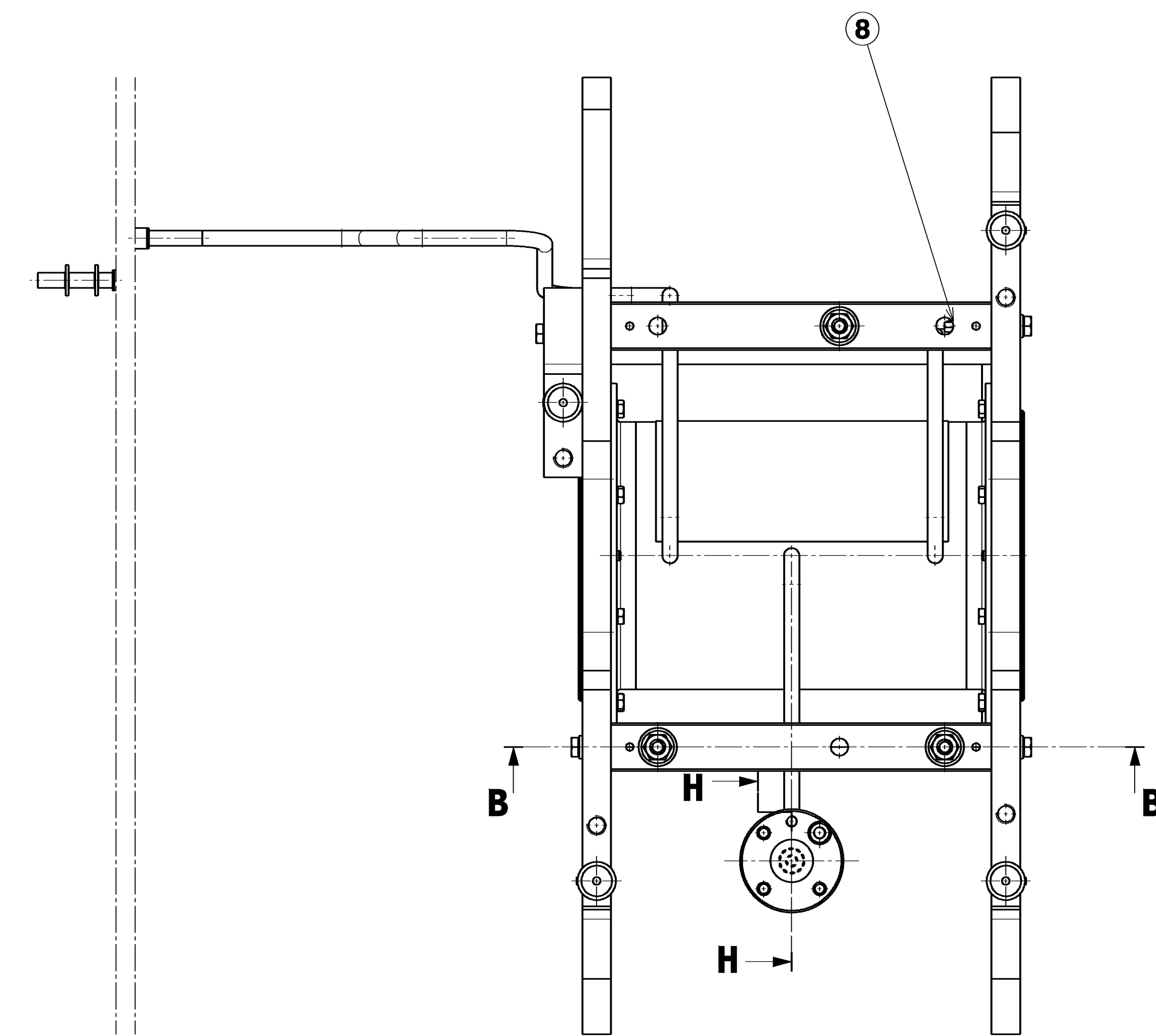
E-E  
1:1



J-J  
2:1



Mass : 36.1 kg



QTY	DESCRIPTION	POS	MAT.	OBSERVATIONS	REF.CERN
6	Concave washer M8	24	CuNi20Si	SPLACSHN0289	
6	Rondelle concave M8	24	CE4700	ST0742534	
6	Convexe washer M8	A4	File : 6319-C		
6	Rondelle convexe M8	23	ST0742534		
1	Hose DN6	22		SPLACSHN0465	
1	Flexible DN6	22		ST0794691	
4	HEX SKT HD CAP SCREW M4x12 VIS CHC_M4x12	21	St. Steel A4	ISO 4762 M4x12-A4	47.62.71 155.7
4	Bellevalle washer 04.2x8	20	Bronze C62100		47.78.08
4	Rondelle Belleville 04.2x8	20		ST0539381	607.4
4	HEX SKT ON PT set screw M4x6 Vis SS TET 6PC BT TRONC_M4x6	19	Stainless Steel A4	ISO 4027_M4x8-A4	
2	Parallel pin 05x20	18	Acier Inox A4	Bossard : S815870	
2	Goupille parallele 05x20	18	CuNi20Si	ST0839359	
16	HEX HD SCREW GRADE A M5x16 VIS H GRADE A M5x16	17	St. Steel A4	ISO 4017_M5x16-A4	47.62.82 207.3
1	HEX HD screw M6x35 Vis Tete Hexa M6x35	16	St. Steel A4	ISO 4014_M6x35-A4	
2	Parallel pin 06x30	18	CuNi20Si	SPLACSHN0526	
2	Goupille parallele 06x30	18	CE4700	ST0839366	
10	HEX HD SCREW GRADE A M6x20 VIS H GRADE A M6x20	14	St. Steel A4	ISO 4017_M6x20-A4	47.62.82 258.2
10	NORMAL PL WASHER 6X12	13	Stainless Steel M	ISO 7089_6x12-A4	47.78.15
3	NORMAL PL WASHER 8X16	12	Acier Inox A4		006.0
3	NORMAL PL WASHER 8X16	12	Stainless Steel M	ISO 7089_8x16-A4	47.78.15
10	HEXAGON THIN NUT (0.5D)_M8 ECROU BAS HEXAGONAL (0.5D)_M8	11	St. Steel A4	ISO 4035_M8-A4	008.8
3	Spacer	10	EN 1.4429	SPLACSHN0233	
3	Entretroise	10	(St. Steel 316L)	ST0719029	
4	MIRE	9		ST0412523	
1	Temperature sensor volume	8		Cernox	
1	Vaporisator level sensor essy	7		ST0648516	
1	Jauge de niveau vaporisateur Equi	7		SPLACSHN0263	
1	Support mire	6	(St. Steel 316L)	ST0734031	
1	Target support	6	EN 1.4429	SPLACSHN0232	
2	Separator support	5	(St. Steel 316L)	ST0718776	
1	Supporting plate	4	EN 1.4429	SPLACSHN0227	
1	Counterweight flange	3	(St. Steel 316L)	ST0718997	
1	Bride Contre-poids	3	EN 1.4429	SPLACSHN0229	
1	Spheric bearing supporting flange	2	(St. Steel 316L)	ST0718807	
1	Bride Support Rotules	2	EN 1.4429	SPLACSHN0228	
1	Vaporisator	1	(St. Steel 316L)	ST0719037	
1	Vaporisator	1		SPLACSHN0226	
1	Vaporisator	1		ST0718819	

BEAM VACUUM SPECIFICATION SEE EDMS n°1221536

ENG/ASS	DESCRIPTION	POS	MAT.	OBSERVATIONS	REF.CERN
Superconducting Cavity, High beta Niobium					
VAPORISATOR ASSEMBLY					
ENSEMBLE VAPORISATEUR					
SPLACSHN0234					