

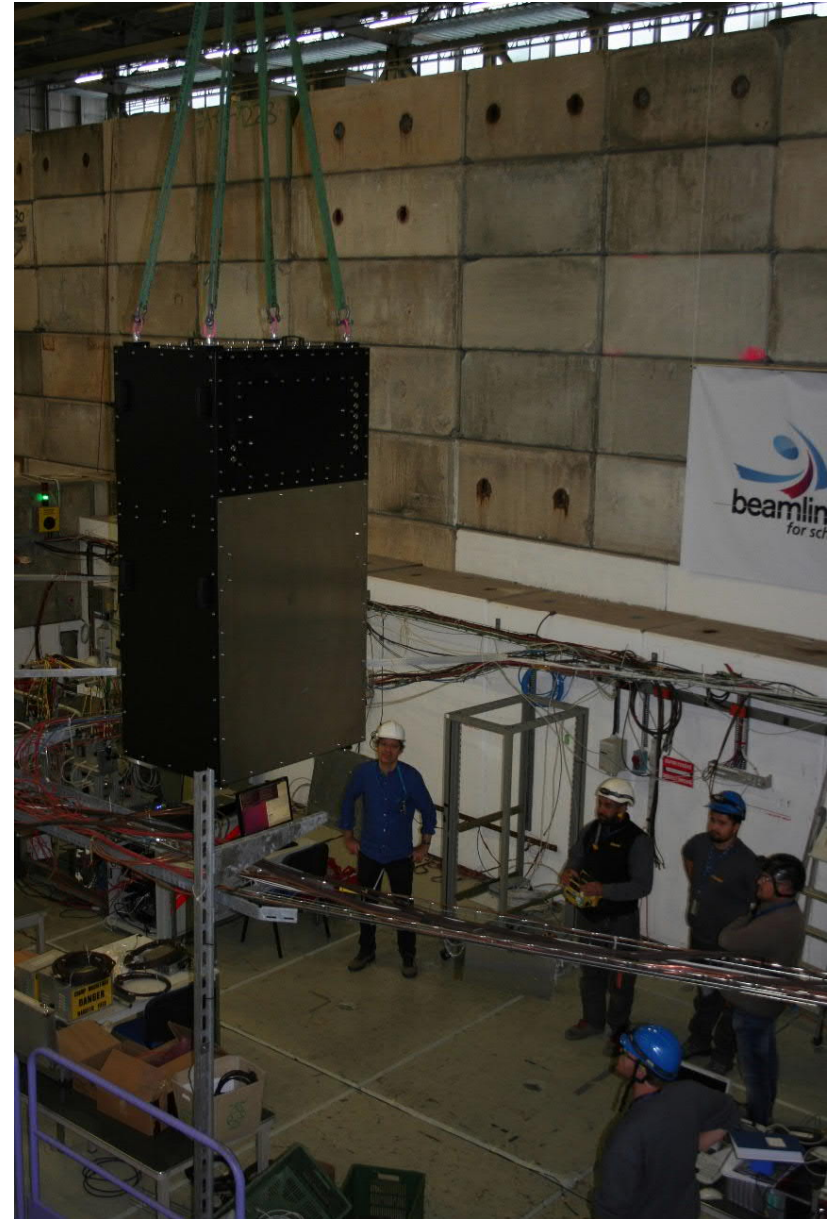


**PS/SPS users' meeting
CERN
1 November 2018**

TORCH – a brief status

Thierry Gys for TORCH

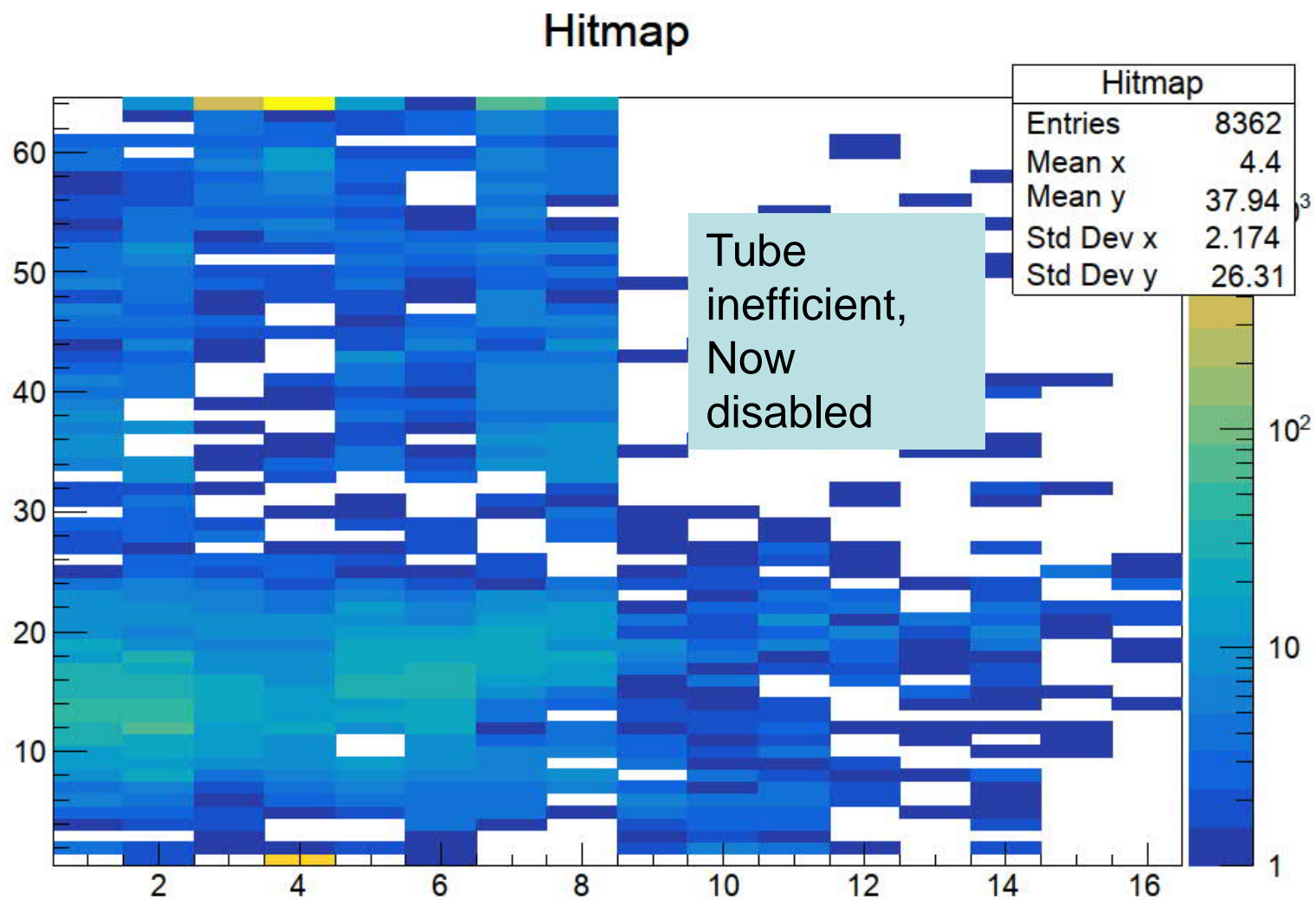
Proto-TORCH module installation



Proto-TORCH module installation (cont'd)



First proto-TORCH light



Acknowledgements... again and again!

- !!!! Many thanks to all people involved 😊 !!!!

Spare slides

Oct/Nov 2018 PS/T9 beam tests for TORCH

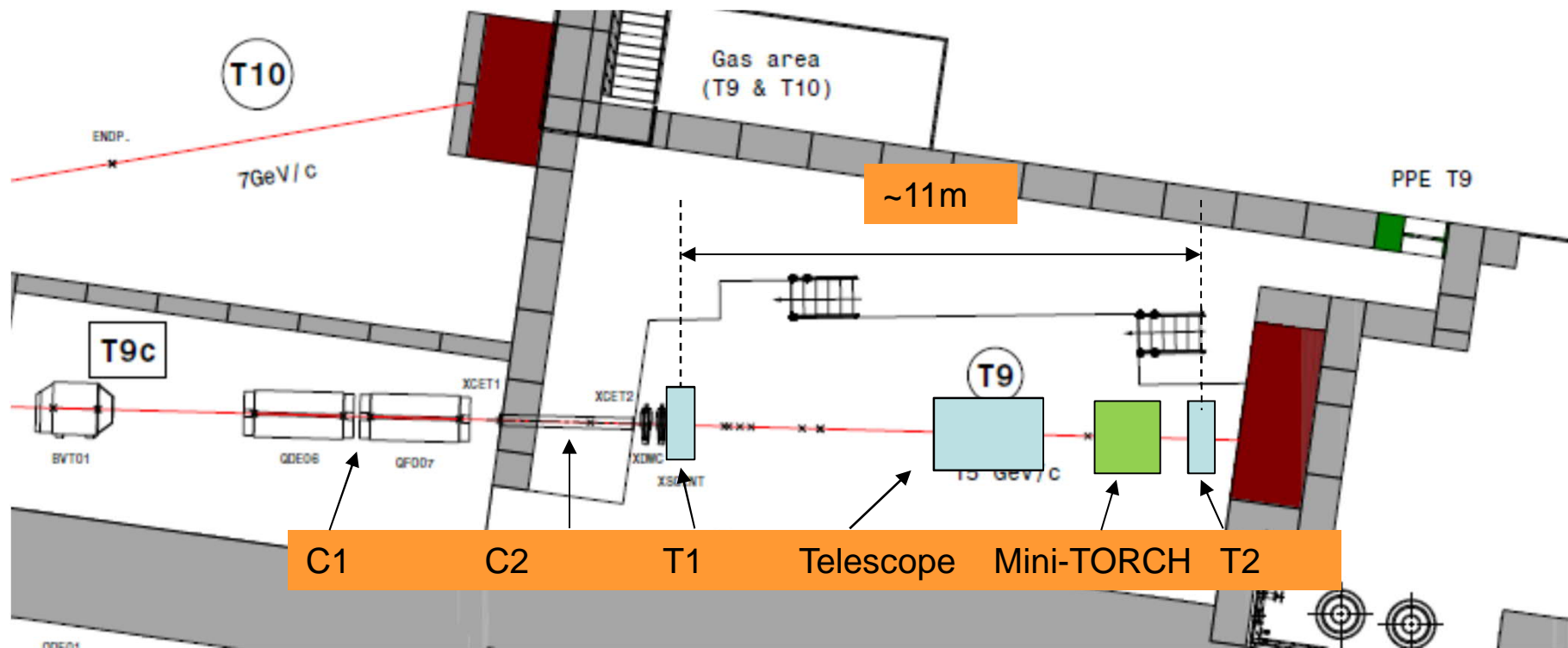
schedule issue date: 25-Sep-2018

Version: 2.3.5

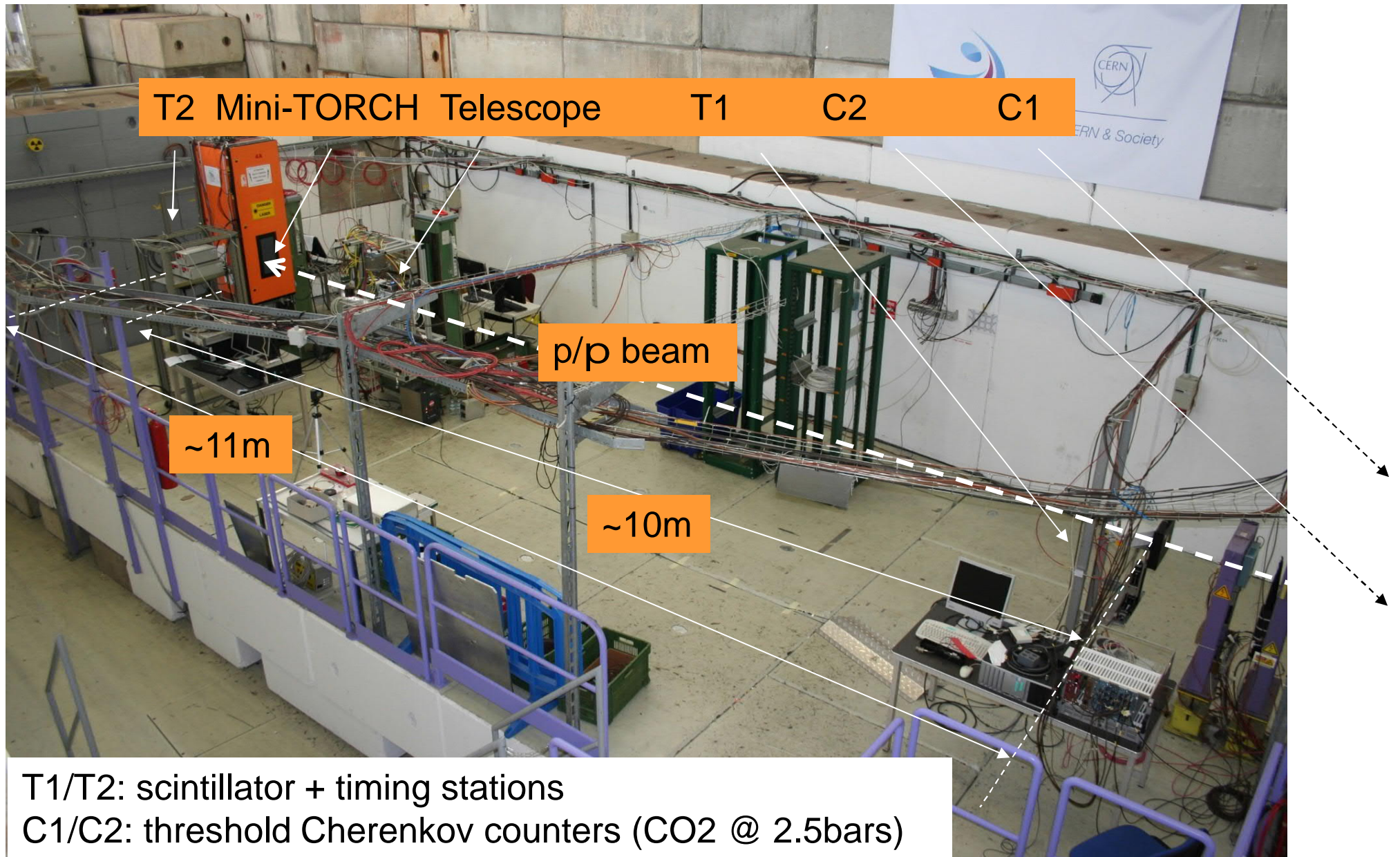
Mon	Tue	Wed	Thu	Fri	Sat	Sun	Mon	Tue	Wed	Thu	Fri	Sat	Sun	Mon	Tue	Wed	Thu				
22	23	24	25	26	27	28	29	30	31	1	2	3	4	5	6	7	8				
Oct	Oct	Oct	Oct	Oct	Oct	Oct	Oct	Oct	Oct	Nov	Nov	Nov	Nov	Nov	Nov	Nov	Nov				
43							44							45				46			
↓							↓							↓				↓			
EA-Irrad							EA-Irrad							EA-Irrad				EA-Irrad			
T. Gys							LHCb TORCH							LHCb TORCH				LHCb TORCH			
ACORDE F. Guber							RE21 CBM-PSD ALICE TOF-MRPC C. Williams							ALICE TOF-MRPC				ALICE TOF-MRPC			
CLOUD							CLOUD							CLOUD				CLOUD			
nTOF							nTOF							nTOF				nTOF			
														RP				R. Garcia Alia			
																		J. Kirkby			

- TORCH main and only user
 - Mon 22nd Oct – Mon 12th Nov 2018: 21 days
 - Last beam time before LS2

Former TORCH layout with “mini-TORCH” quartz radiator and optics

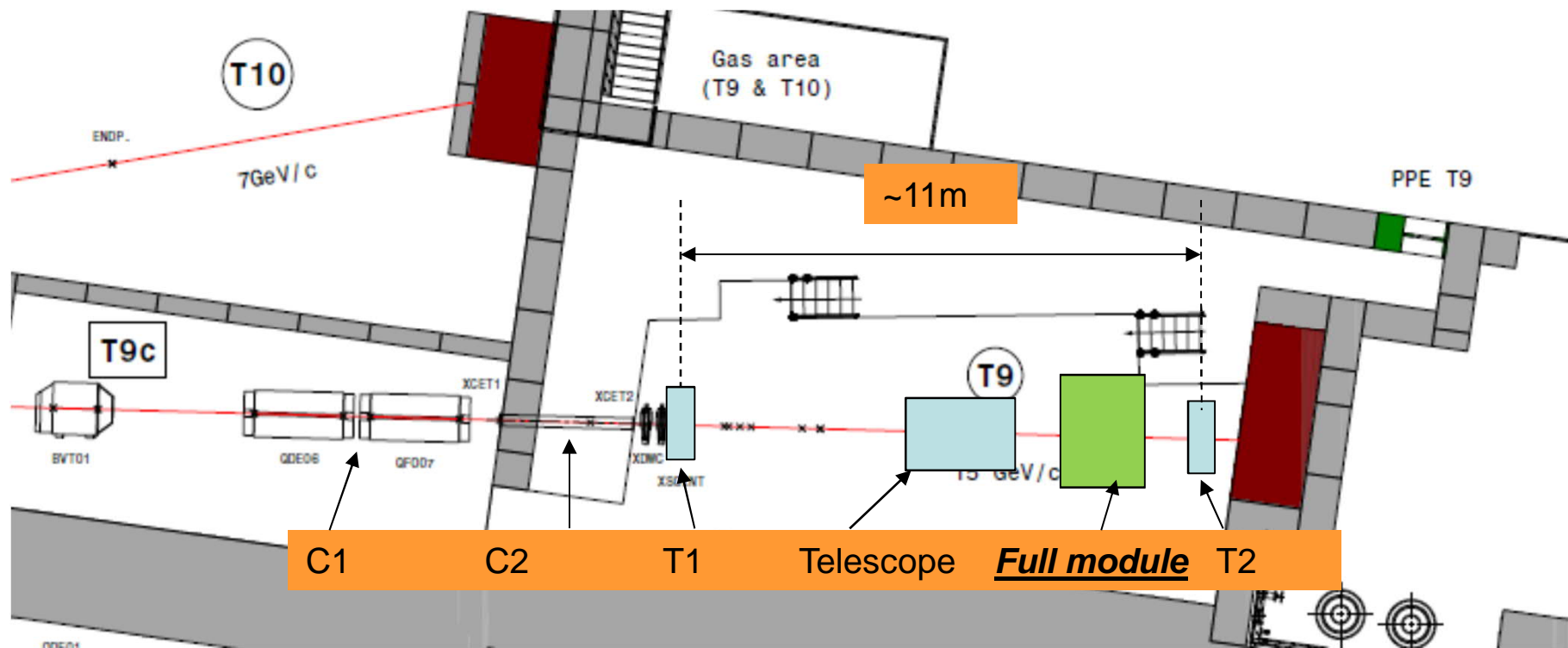


Former TORCH layout with “mini-TORCH” quartz radiator and optics – photograph

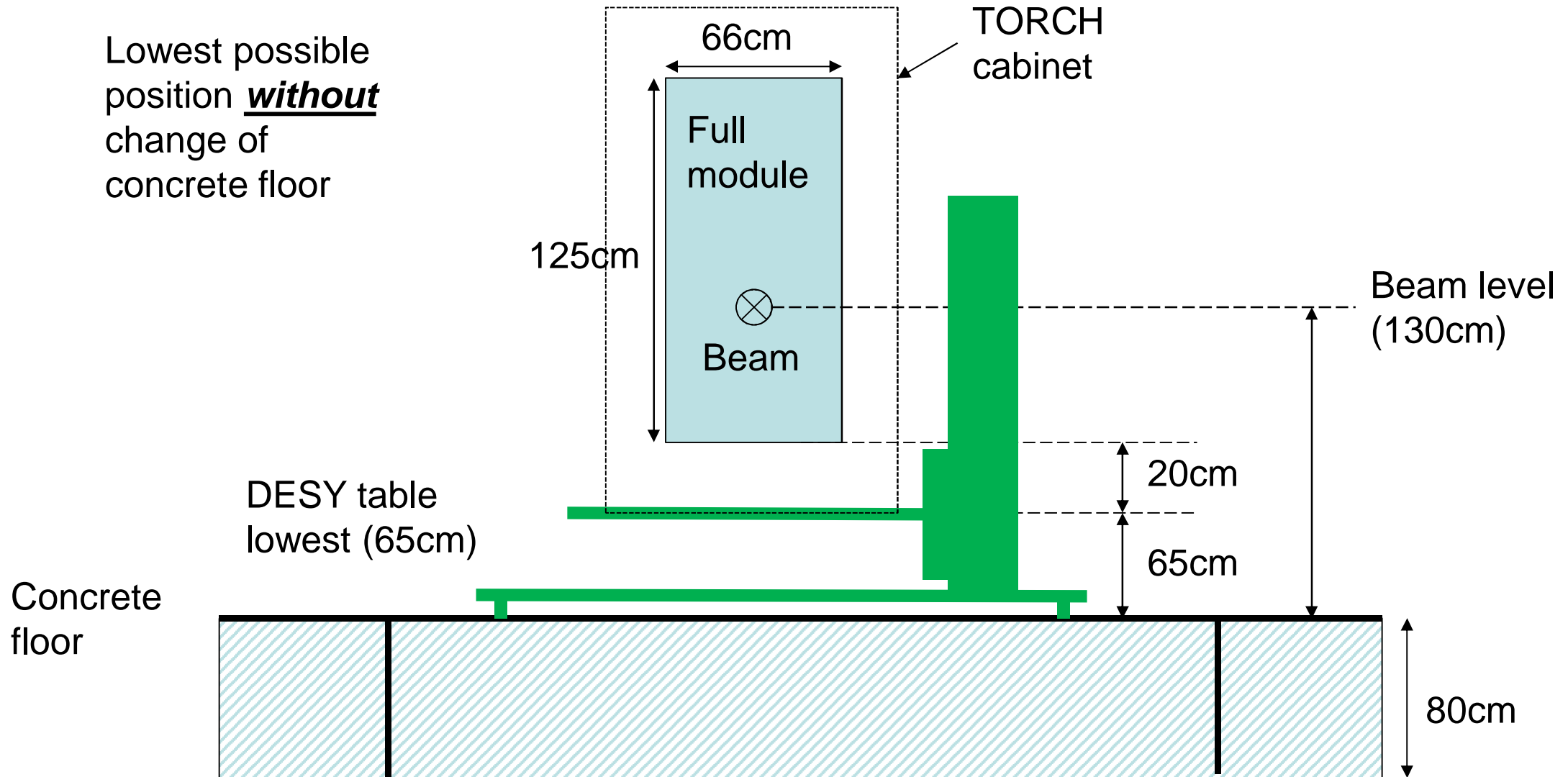


T1/T2: scintillator + timing stations
C1/C2: threshold Cherenkov counters (CO₂ @ 2.5bars)

New TORCH layout with full module quartz radiator and optics

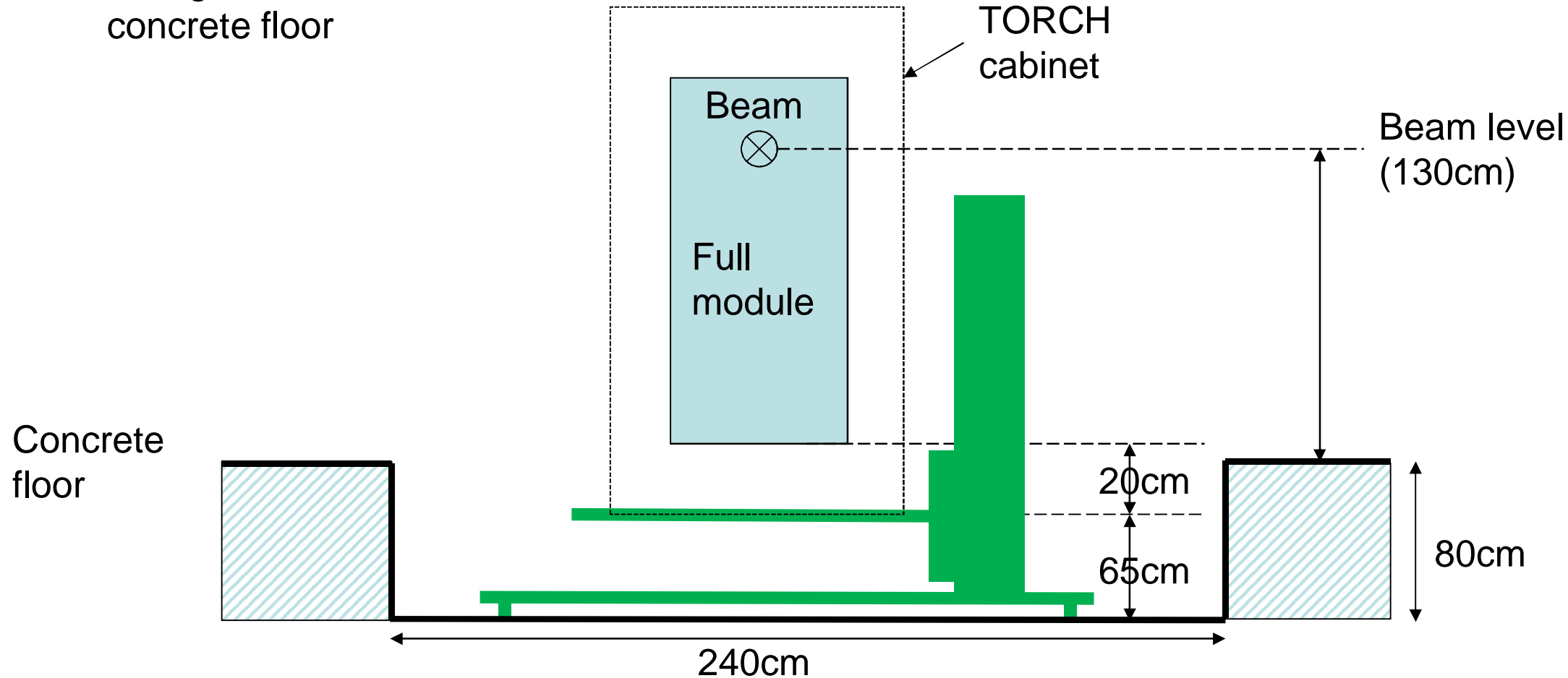


Full module height and position vs beam height – existing concrete floor

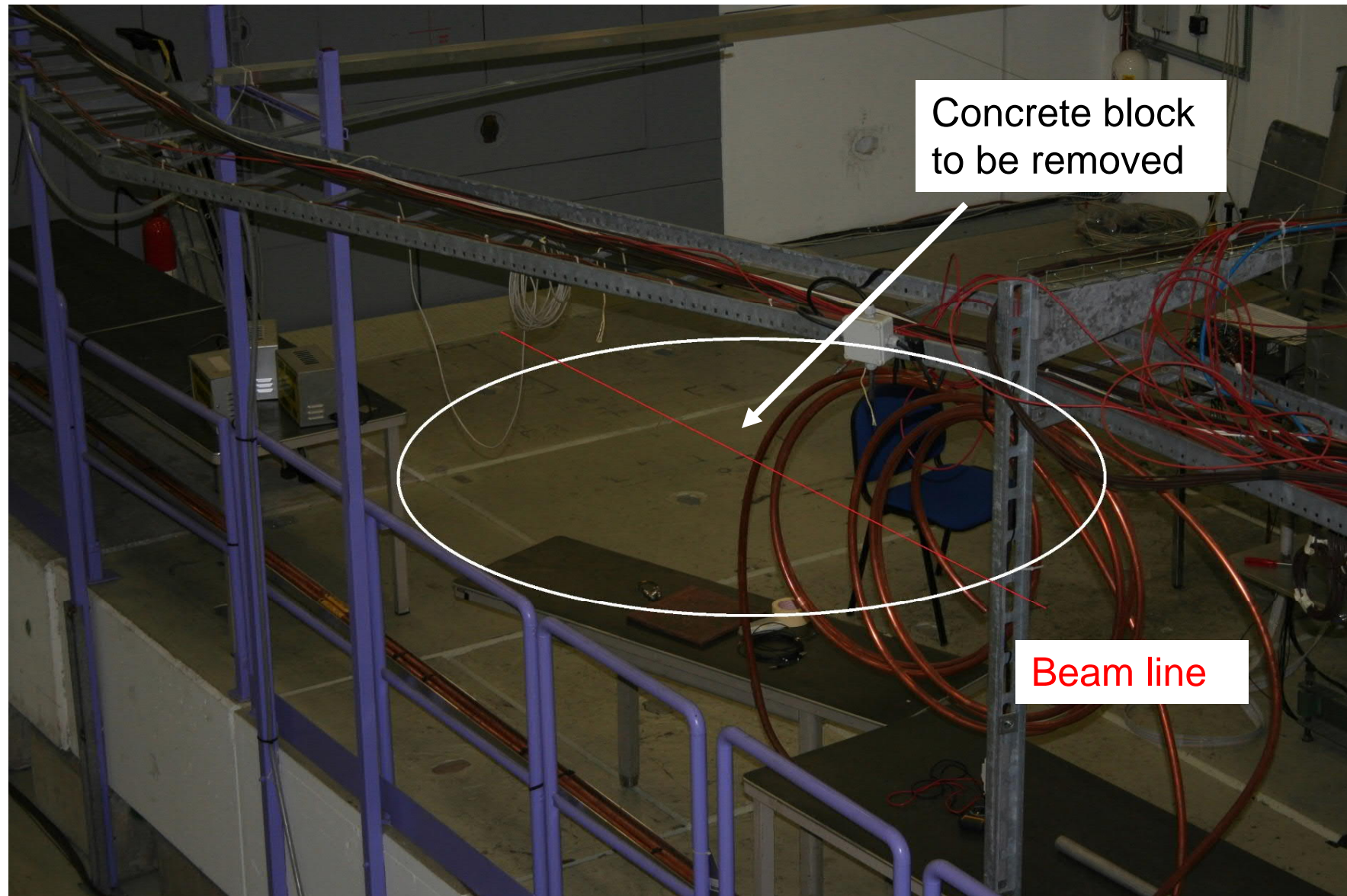


Full module height and position vs beam height – modified concrete floor

Lowest possible position with change of concrete floor



Modified concrete floor – TORCH request



Various

- Details to be discussed
 - DESY table footprint vs concrete block footprint
 - Craning and handling
 - Safety
 - ...

Modified concrete floor of T9 – overall view



Modified concrete floor of T9 – detailed view



Modified concrete floor of T9 – detailed view (cont'd)



Acknowledgements

- !!!! Many thanks to all people involved !!!!