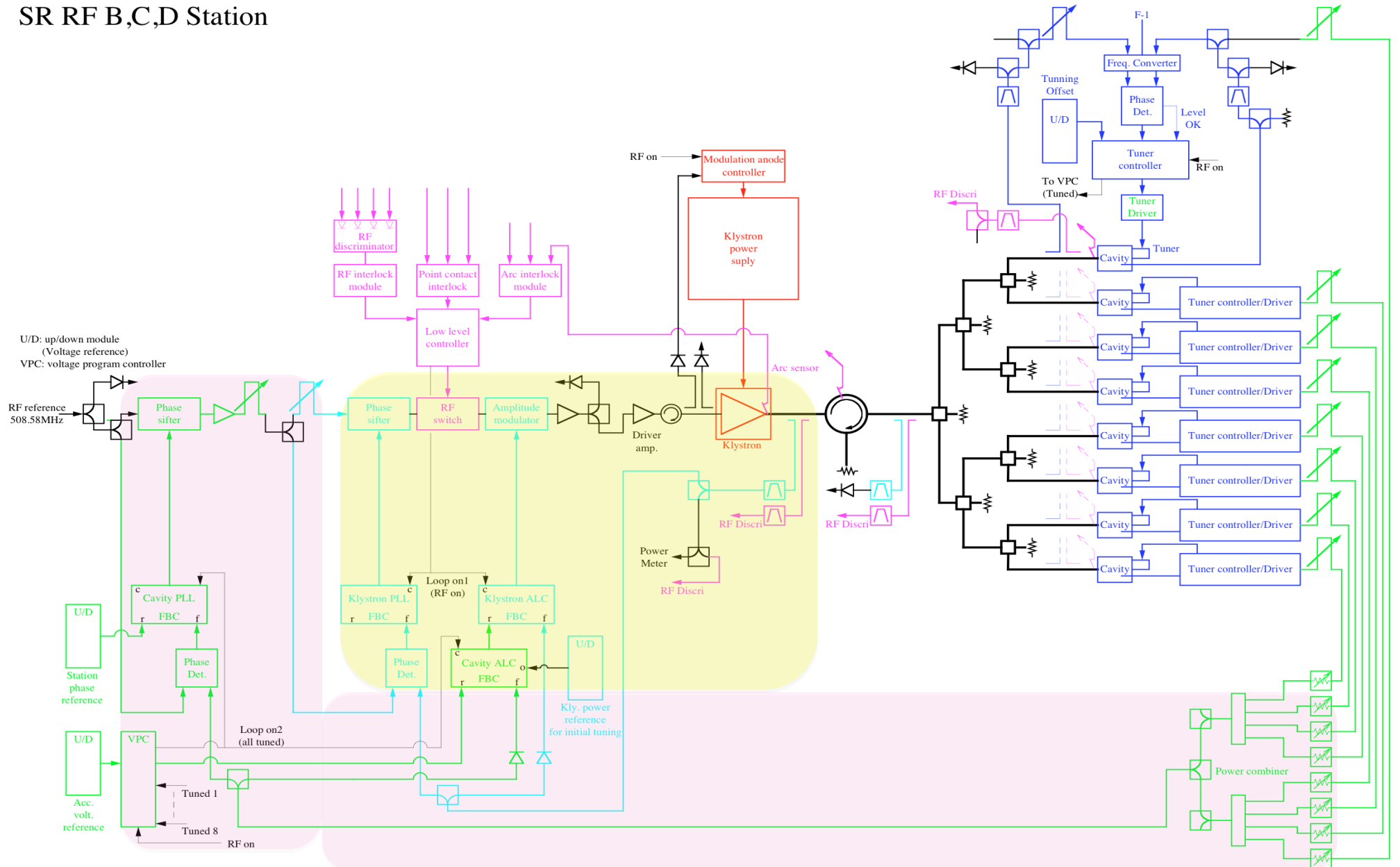


LLRF of SPring-8 Storage Ring RF

1. Block diagram
2. Frequency response of the feedback

SR RF B,C,D Station



Feed back gain and phase

From Cavity to Klystron input (left)
From Klystron output to Klystron input (right)

