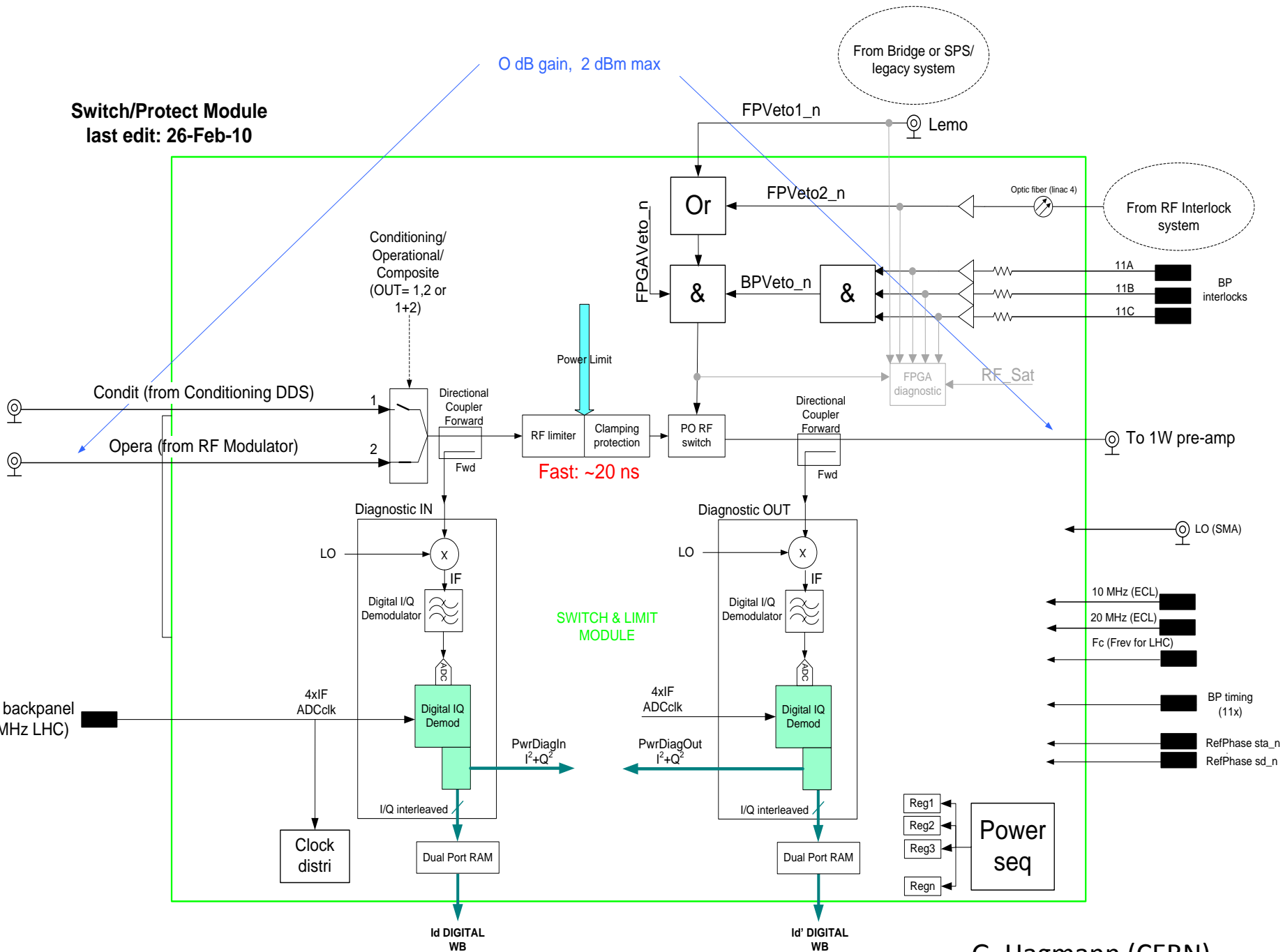
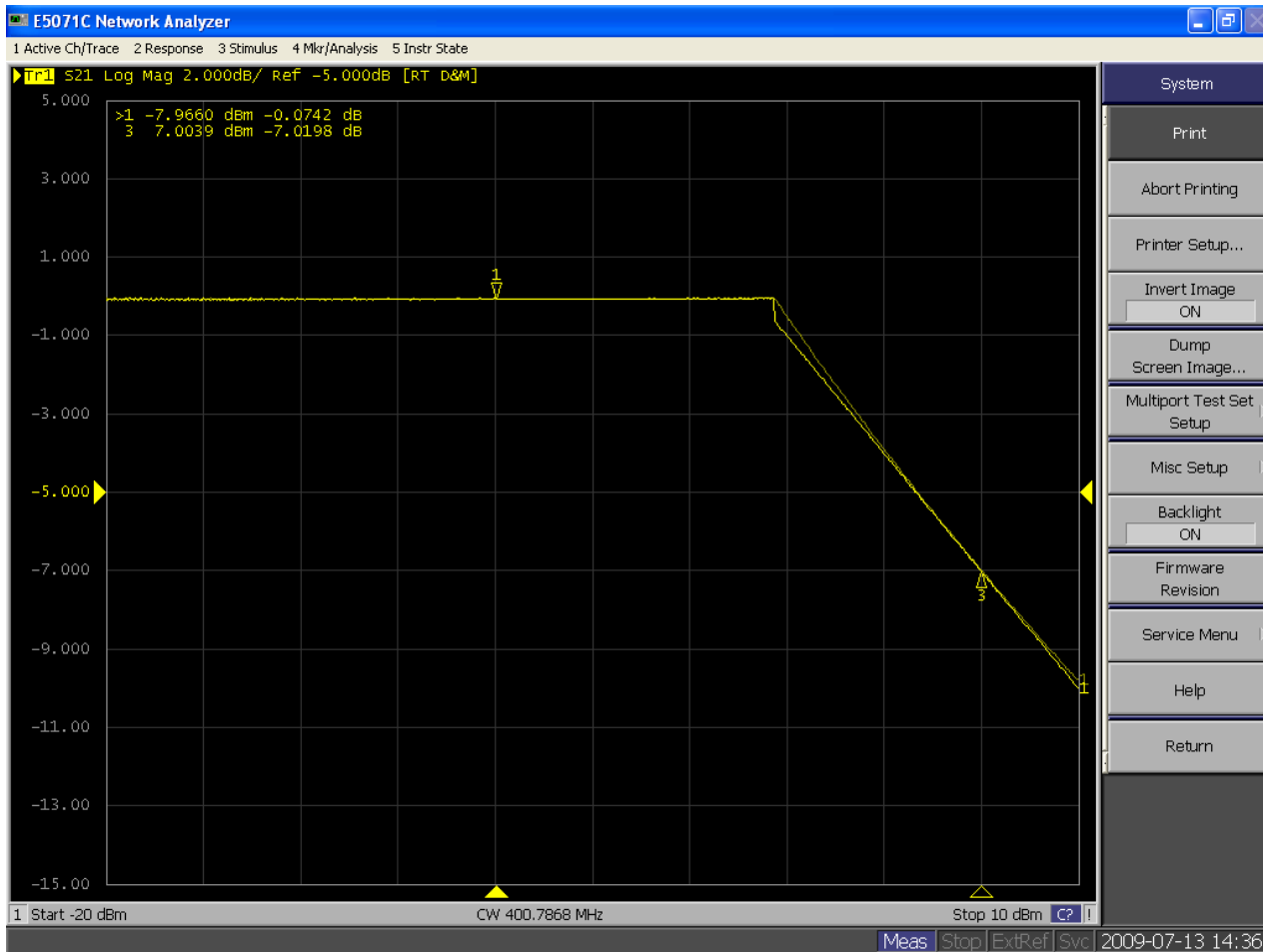


**Switch/Protect Module**  
last edit: 26-Feb-10

0 dB gain, 2 dBm max



# Switch and protect module



# Switch and protect module

