



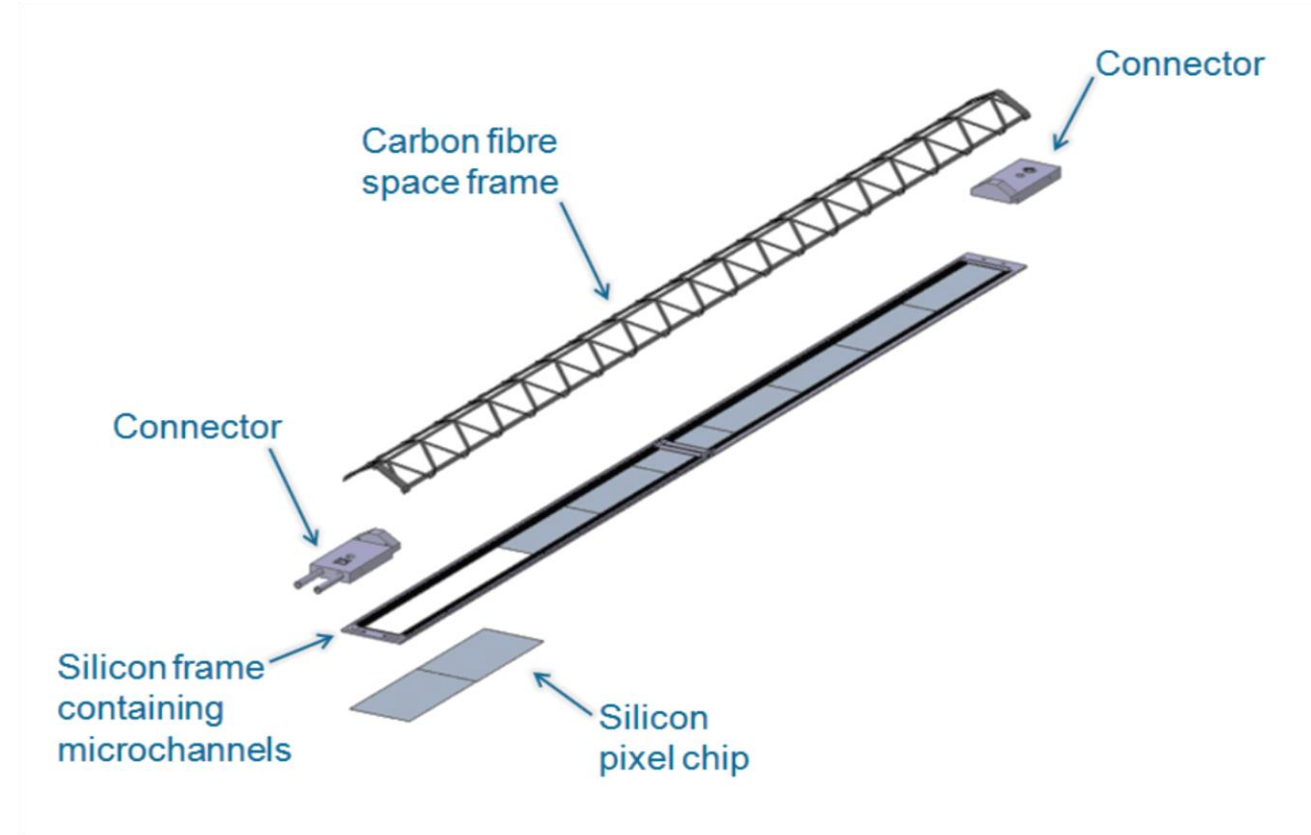
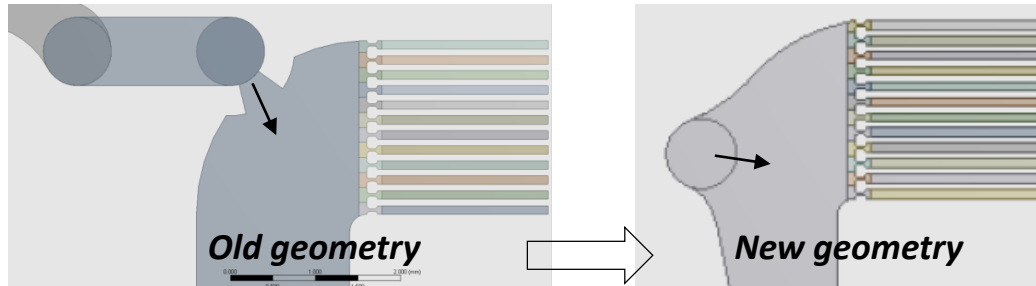
Micro-weekly

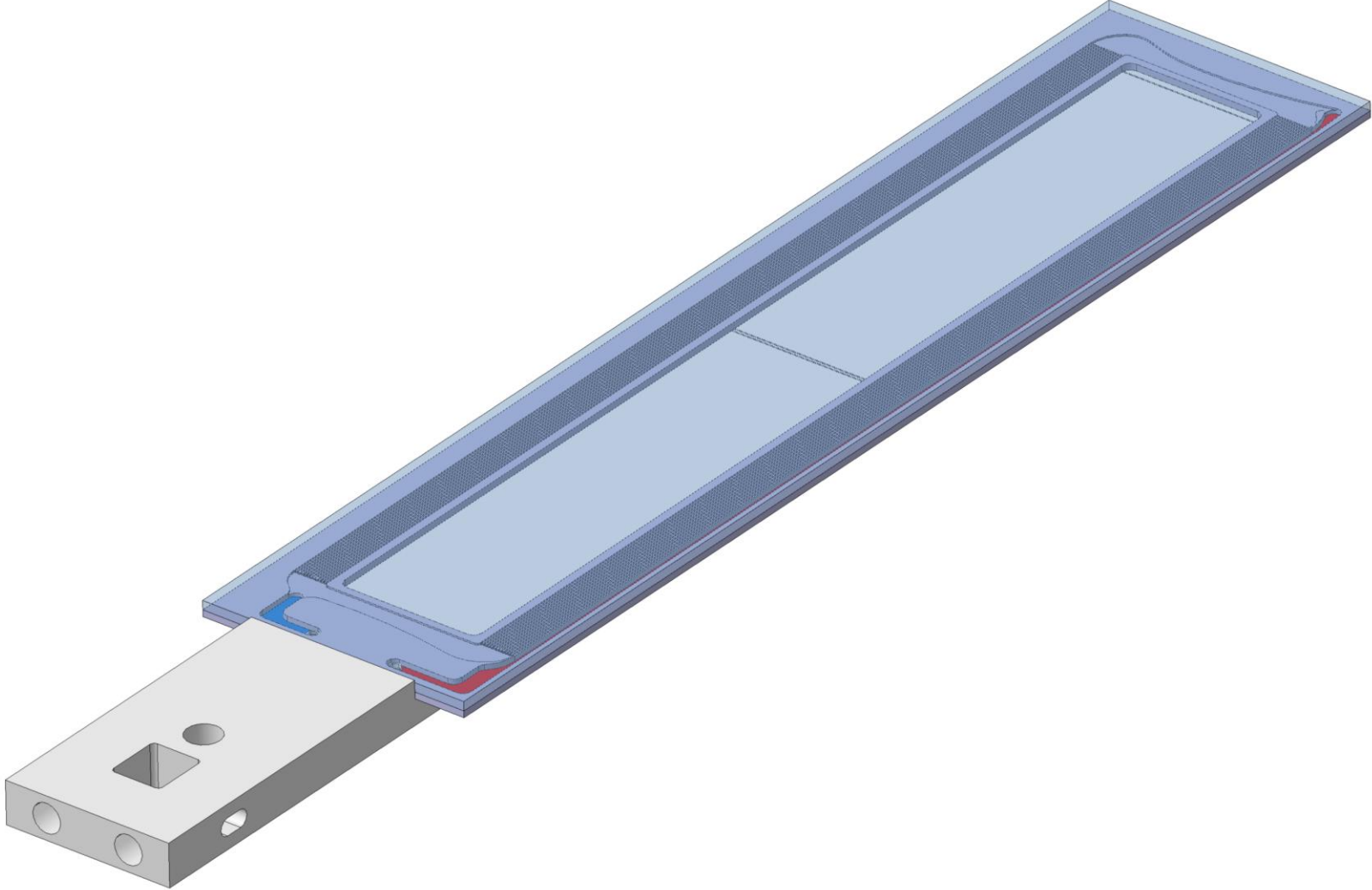
Wednesday 13 June 2018

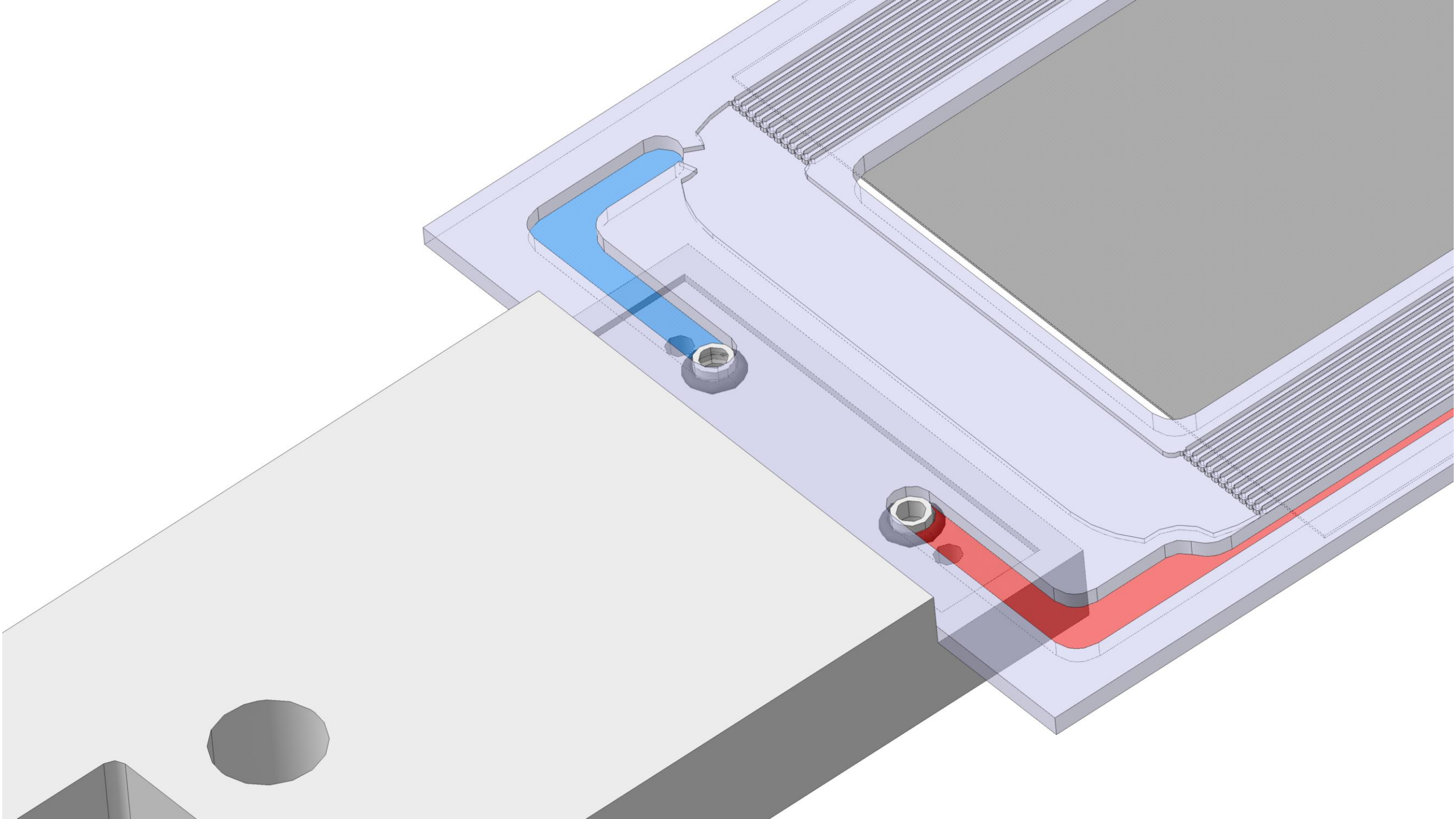
Comparison test fluid dynamic optimization :

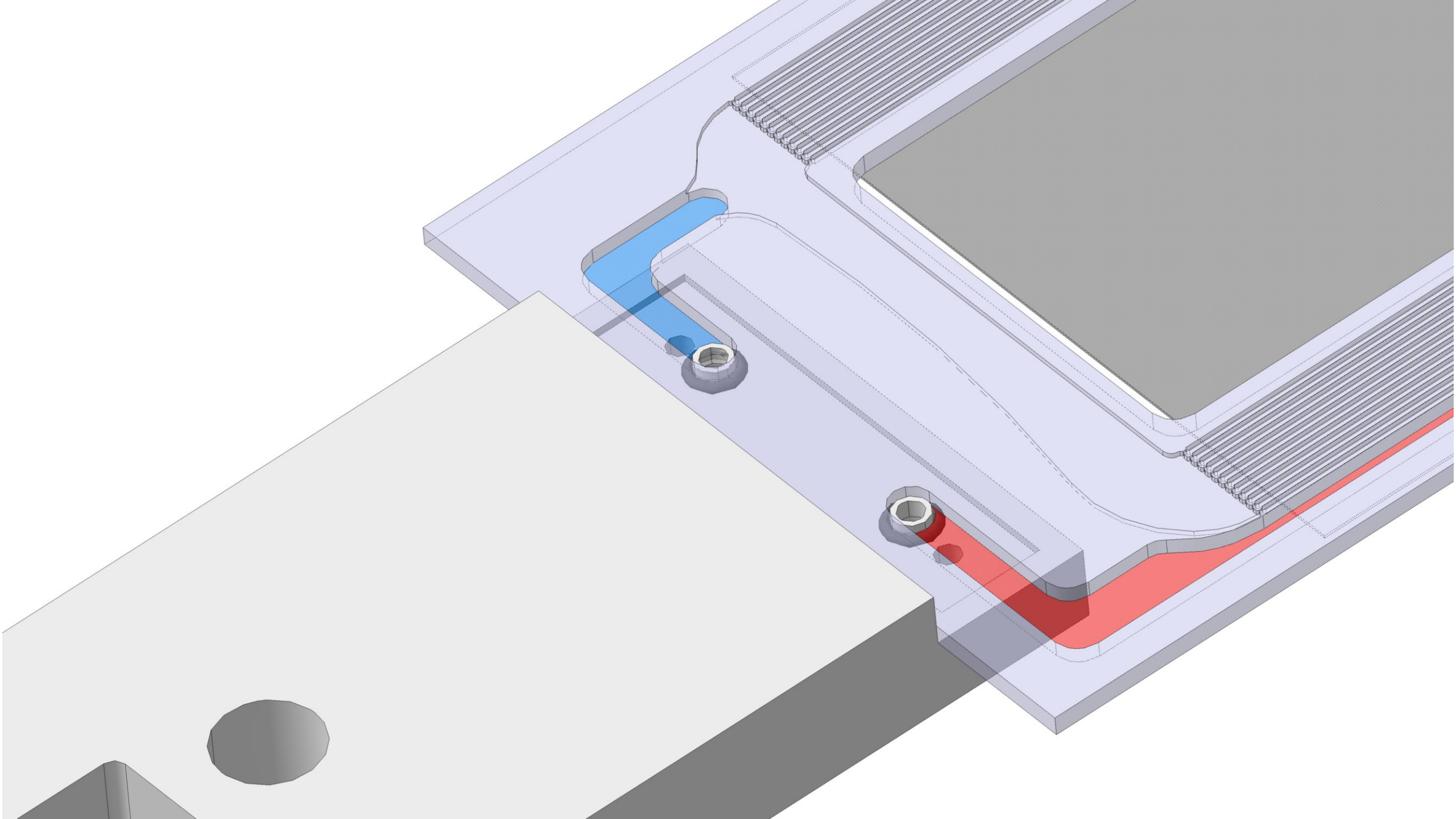
Si Frame solution for ALICE ITS Upgrade

- **Aim:**
Compare the new manifold respect to the old one
(All the other parameters has to be the same)
- **Phase:**
 1. Fabrication
 2. Test
 3. Report

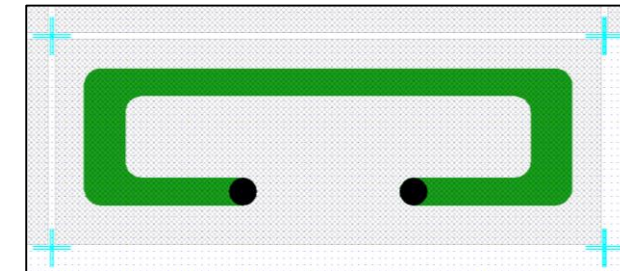
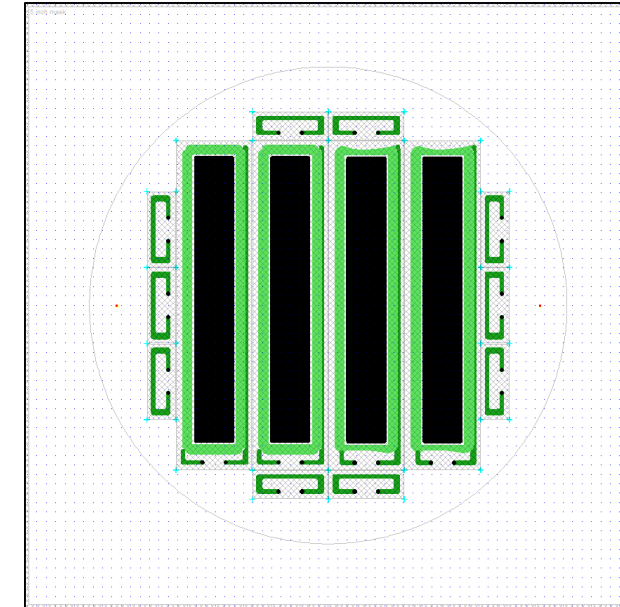
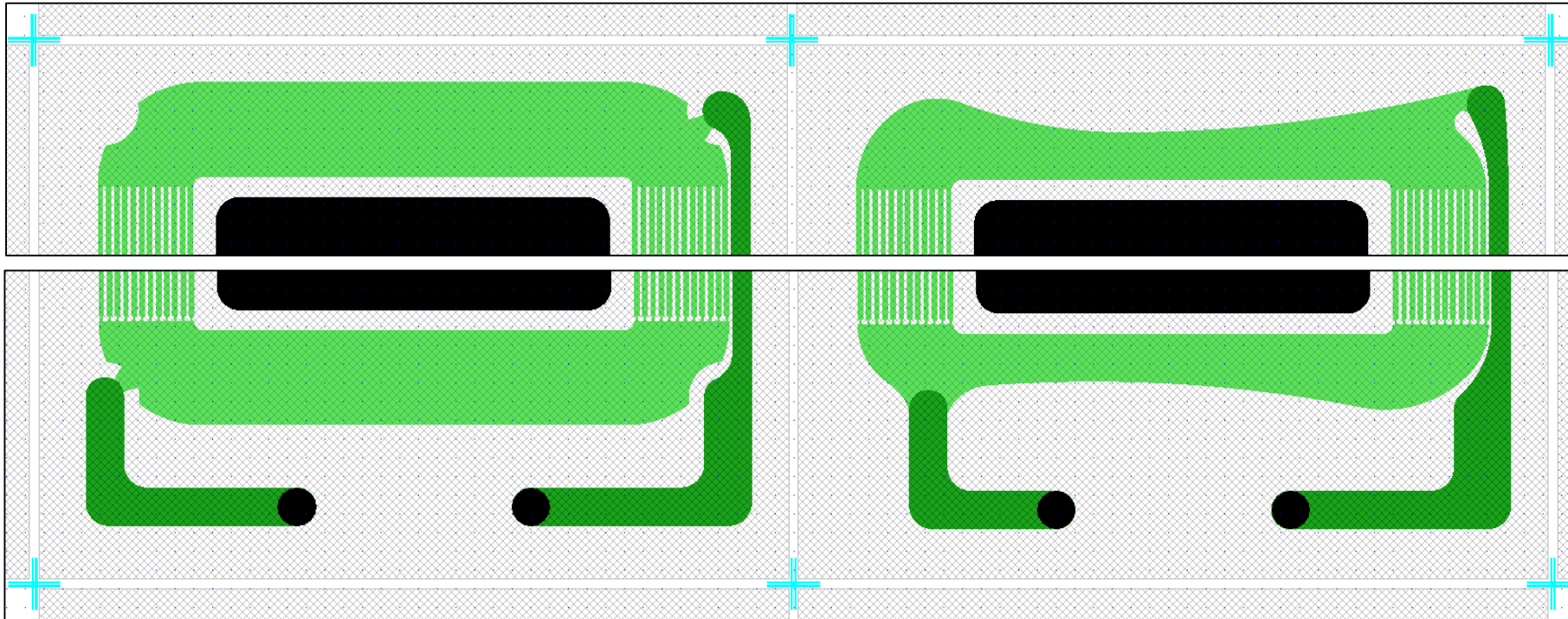
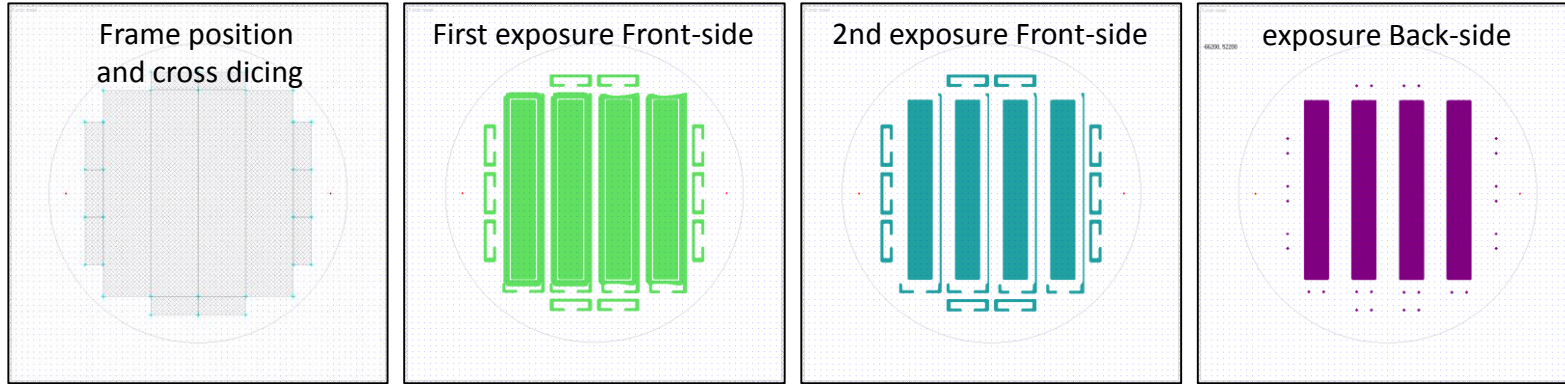


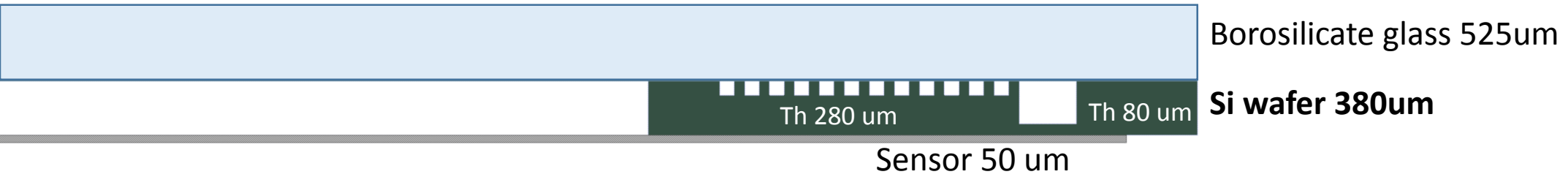






Wafer Layout





- Dummy Frame

