

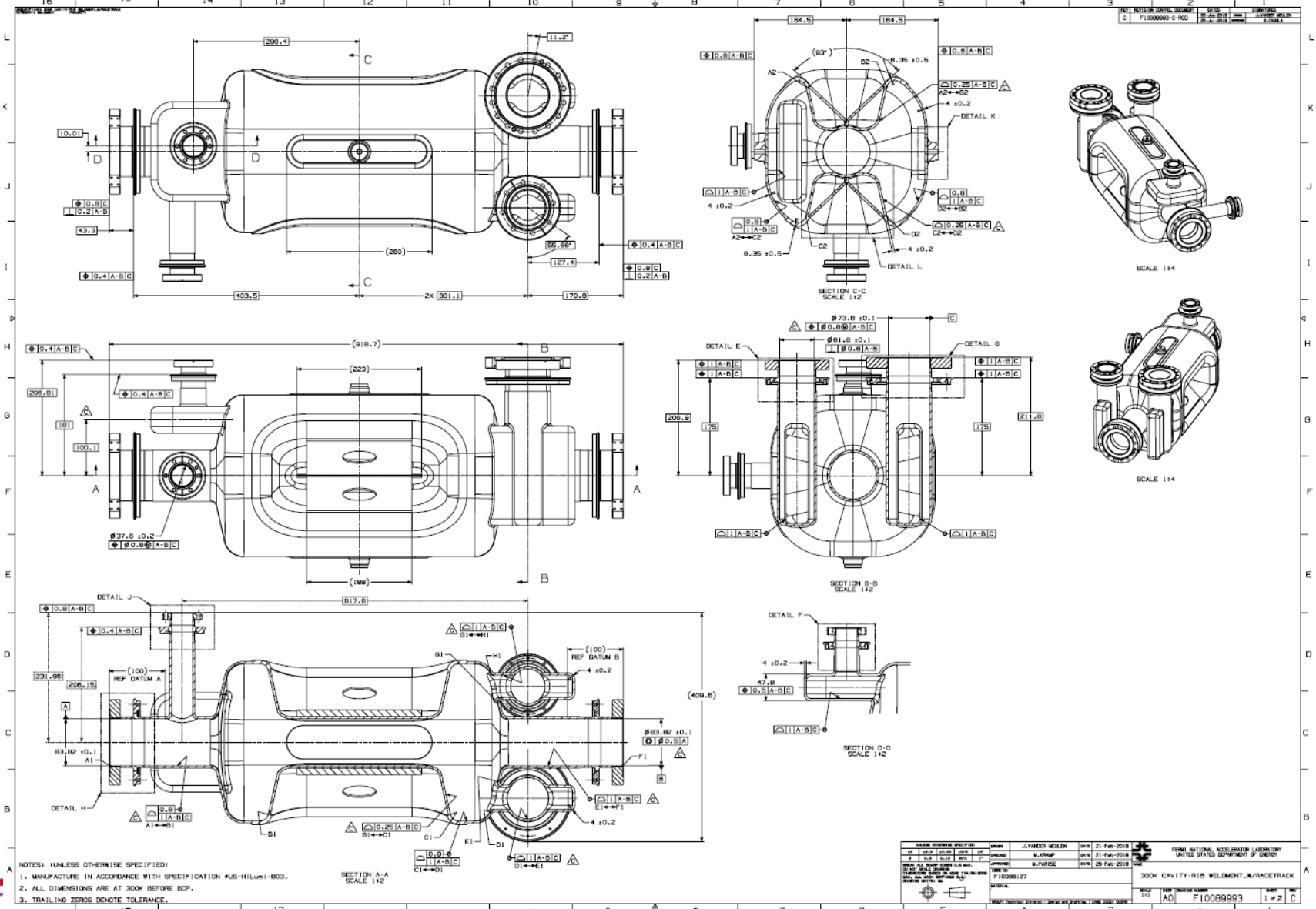


Bare RFD Drawing and Couplers Design Update

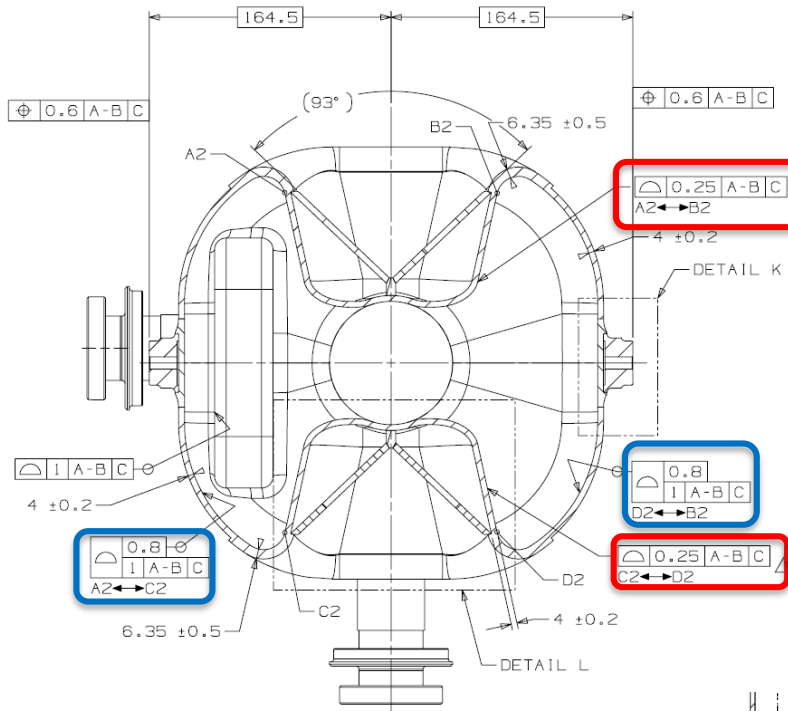
Giovanni Casula - Fermilab
Zenghai Li - SLAC



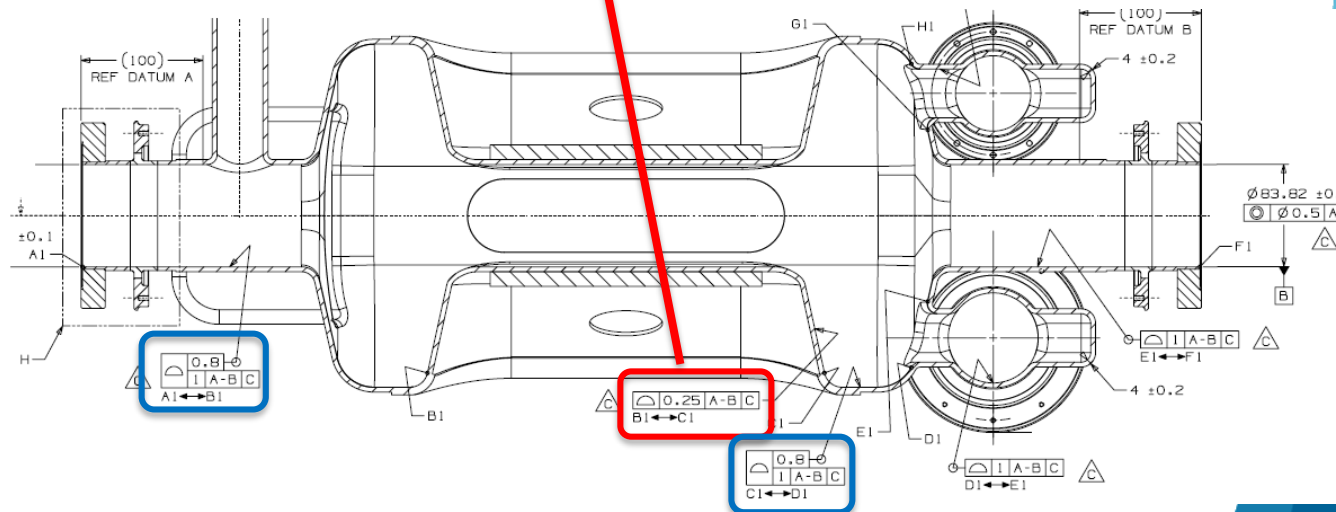
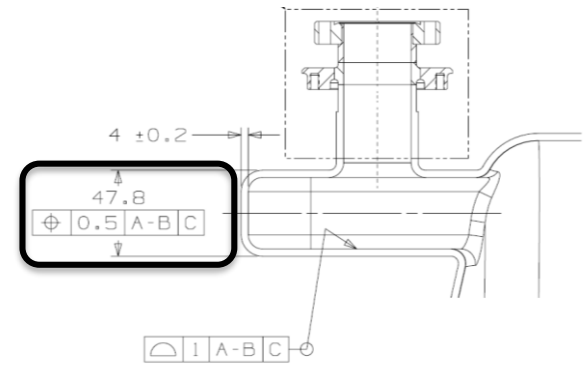
Updated RFD drawing



Updated RFD drawing – Tolerances

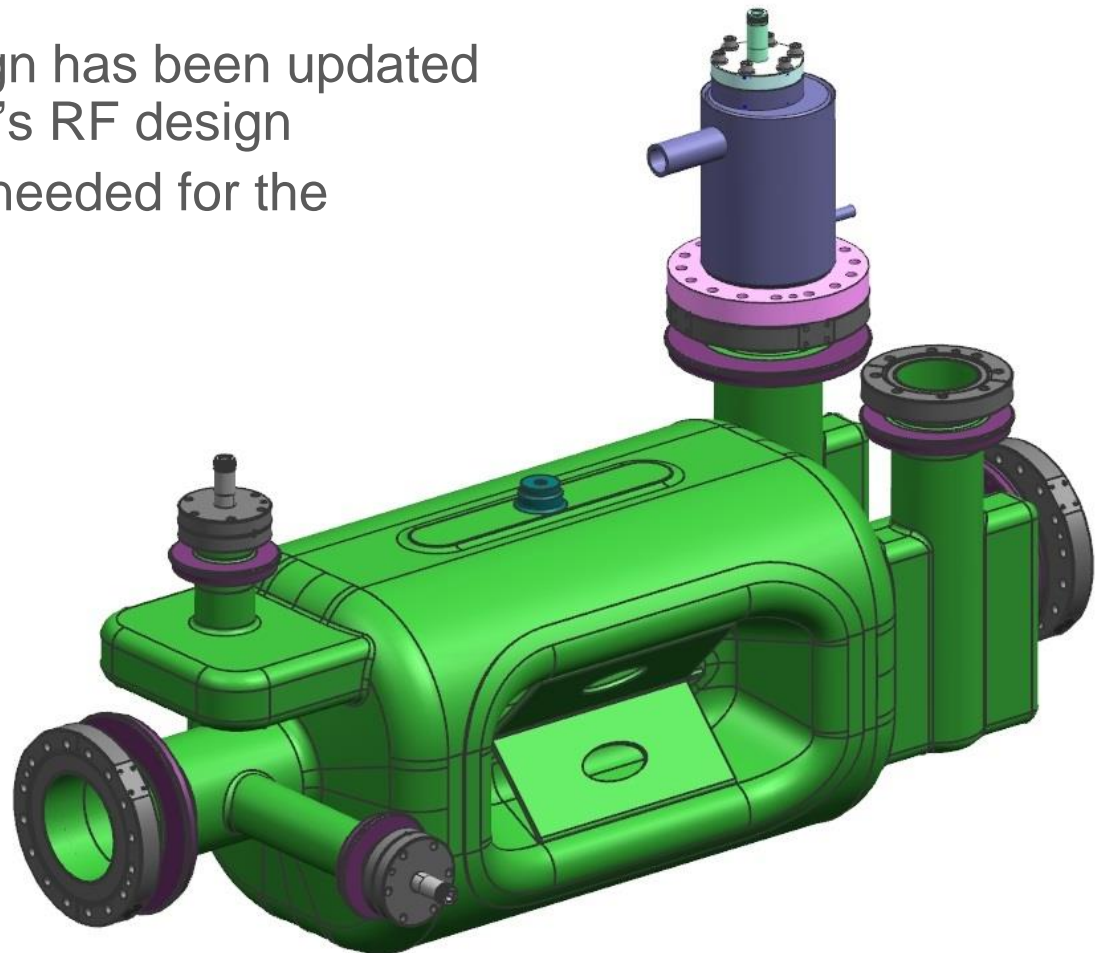


NOTE: these poles' tolerances have to be transposed in the fabrication drawings of the poles, their final value in relation to datum A,B,C are bigger because affected also by the external profile tolerance

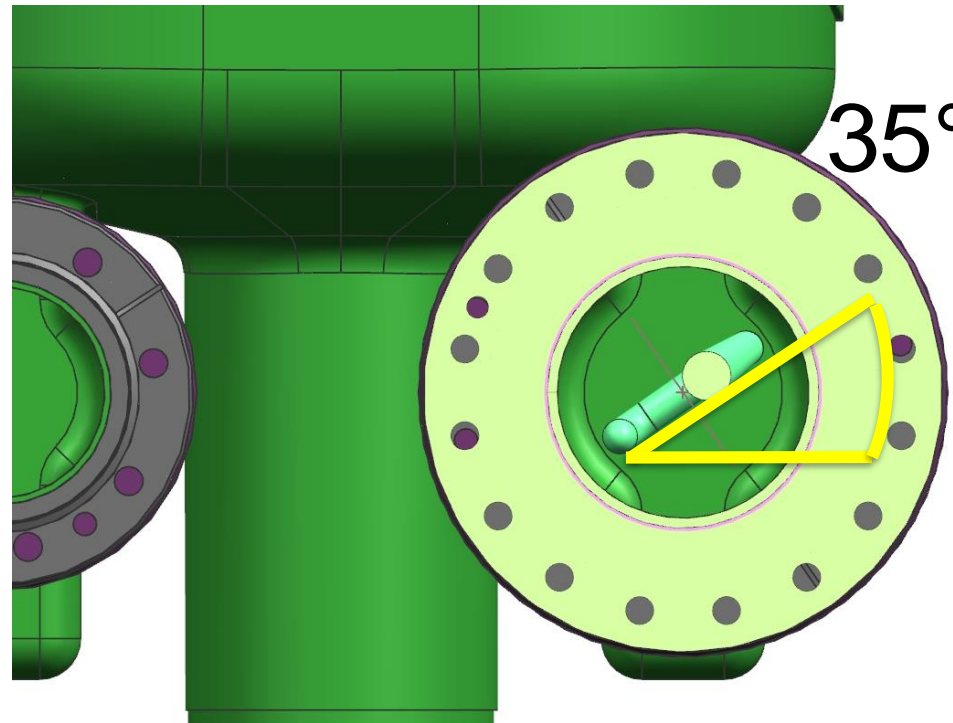
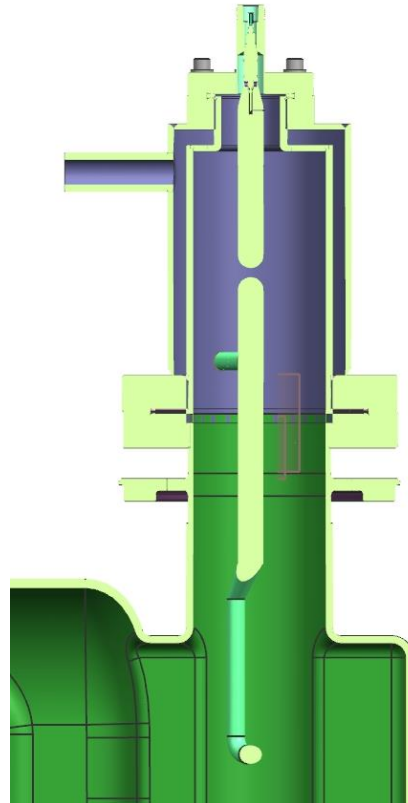
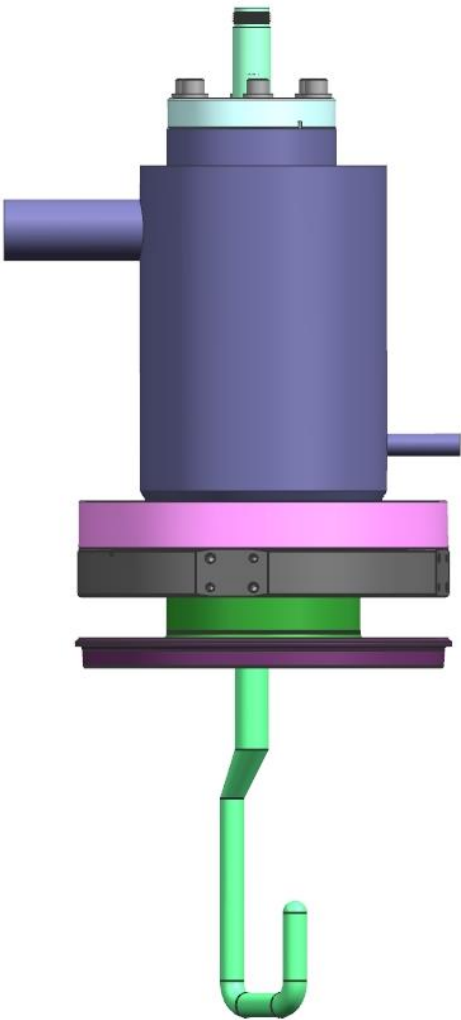


Couplers Updated Mechanical Design

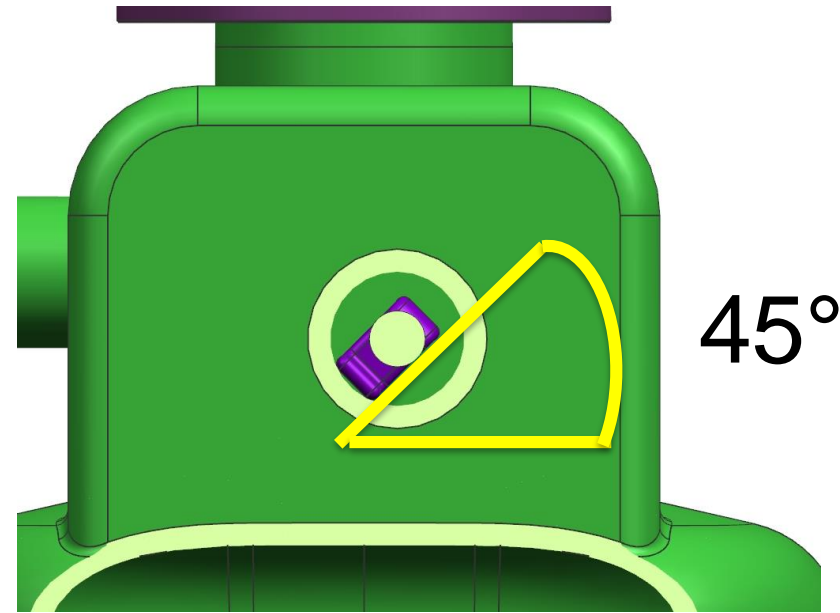
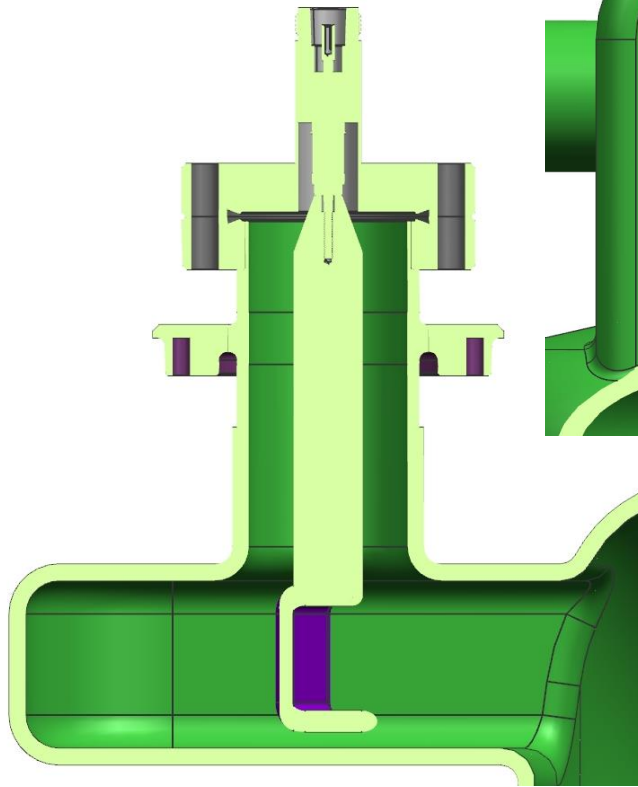
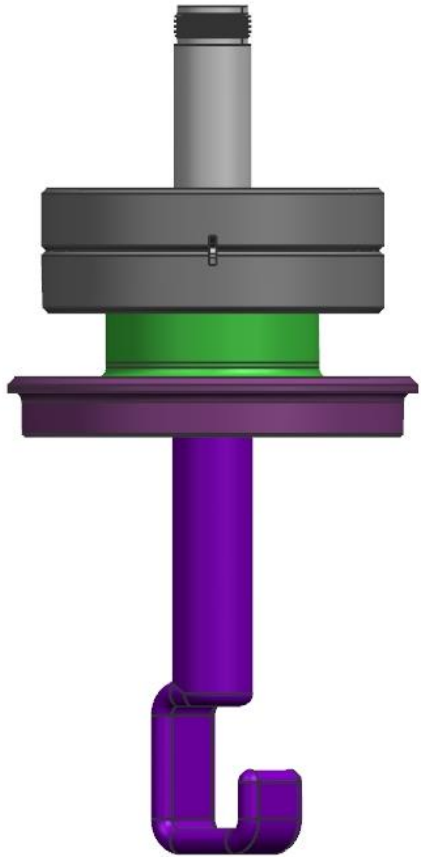
- LARP mechanical design has been updated with input from Zenghai's RF design
- Possible modifications needed for the feedthroughs



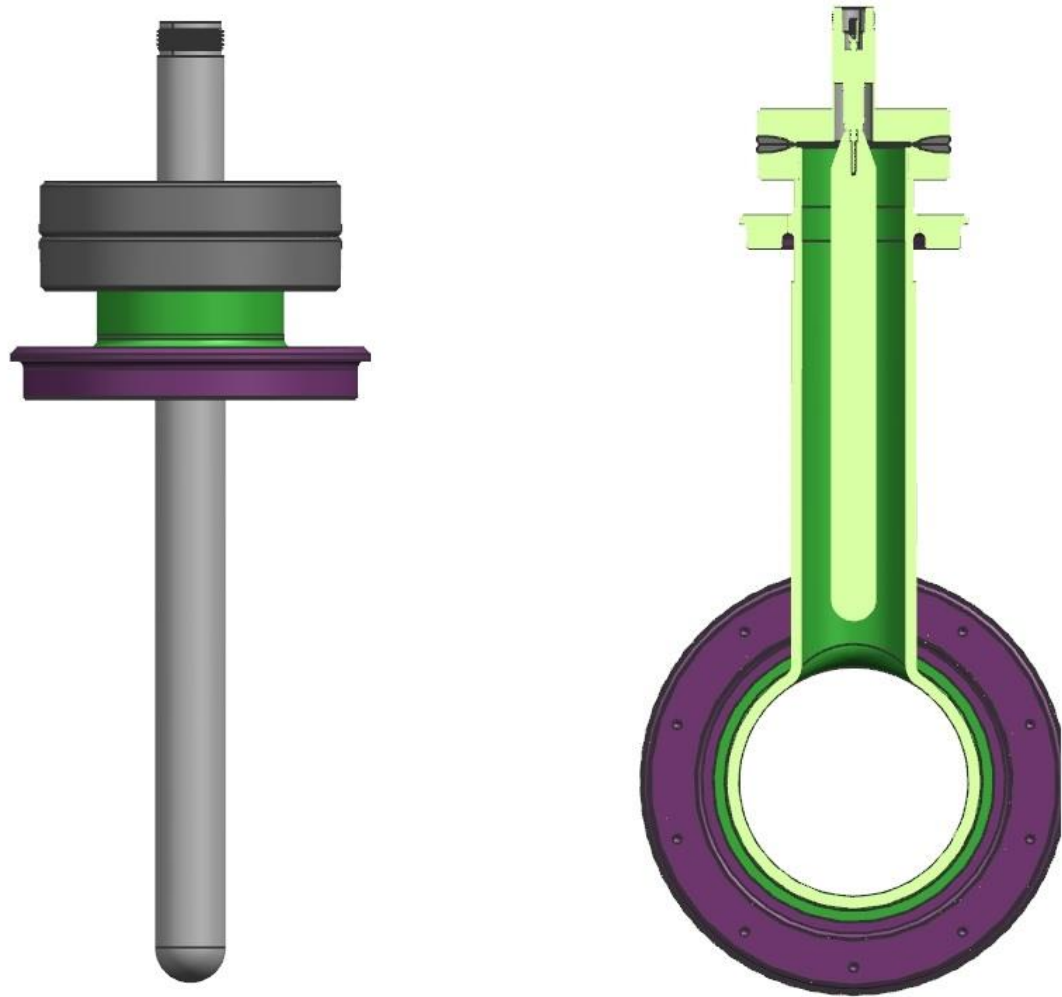
HHOM Coupler Mechanical Design



VHOM Coupler Mechanical Design



Pick-Up Antenna Mechanical Design



DQW coax window - CERN design



Interface dimensions

(in mm)	DQW	RFD H-HOM	RFD V-HOM
HOM end: r1	8.42	8.7	8.70
HOM end: r2	17.06	20.00	20.00
Coaxial line: r1		7.00	
Coaxial line: r2		20.07	

V-HOM Window

- 10-mm ceramics

