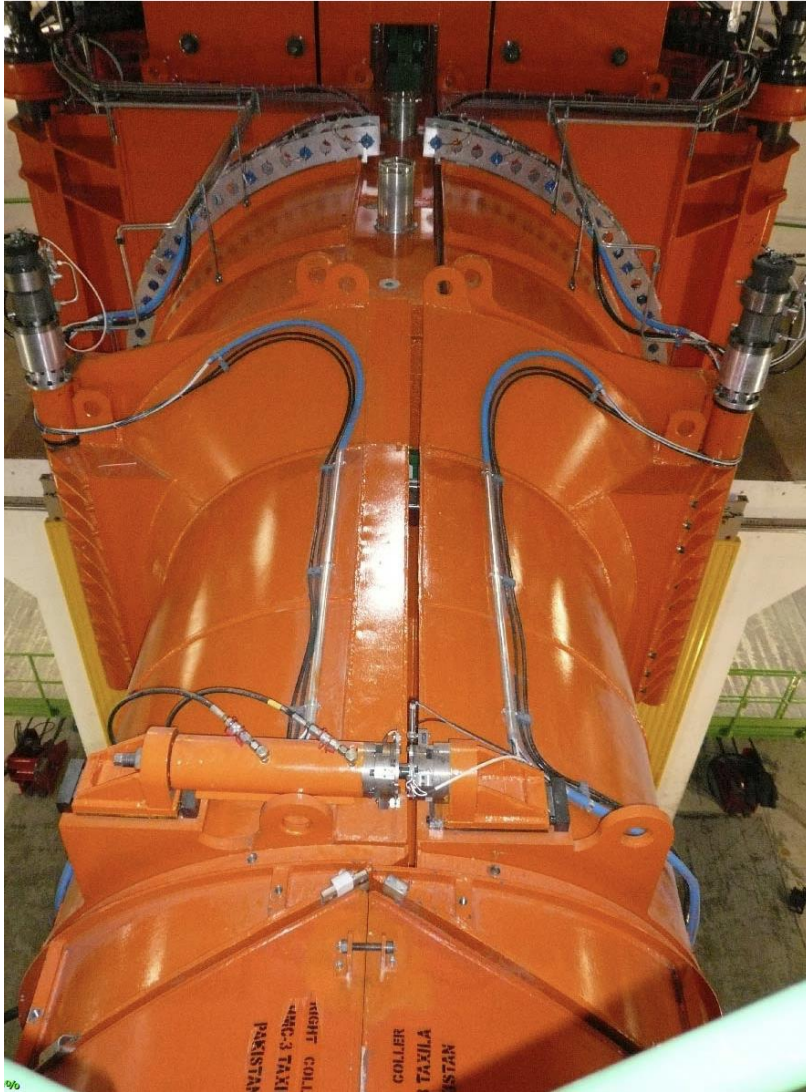
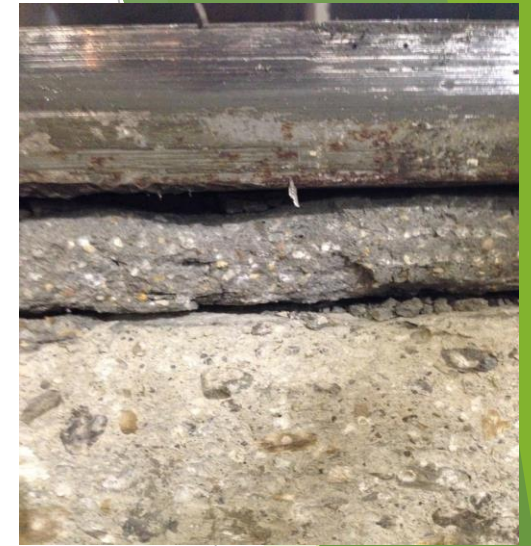
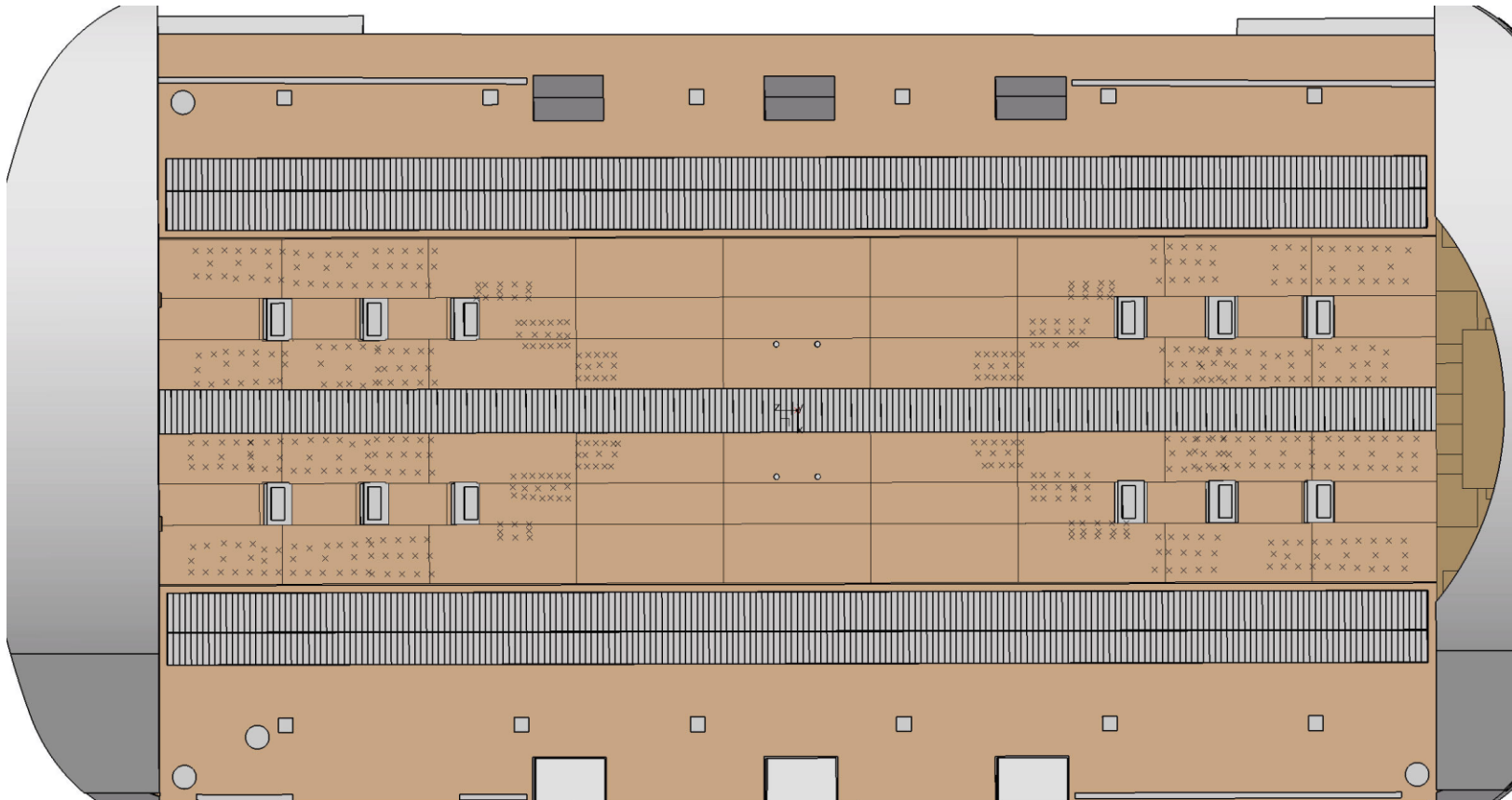


Few CMS Mechanical subjects

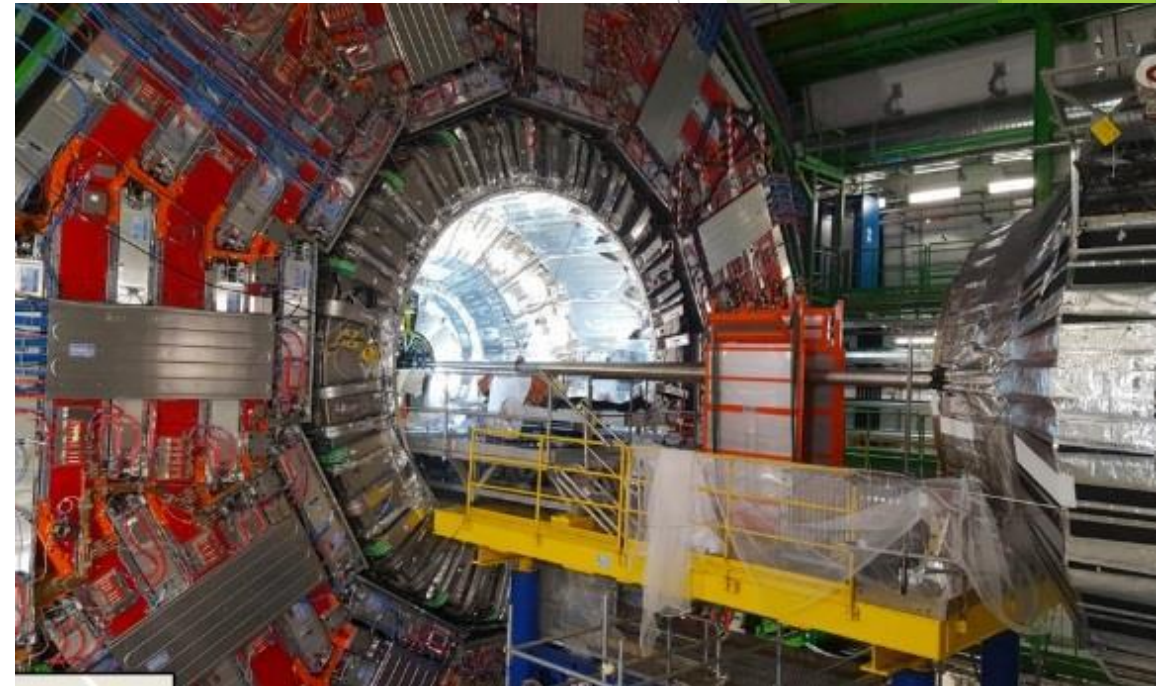
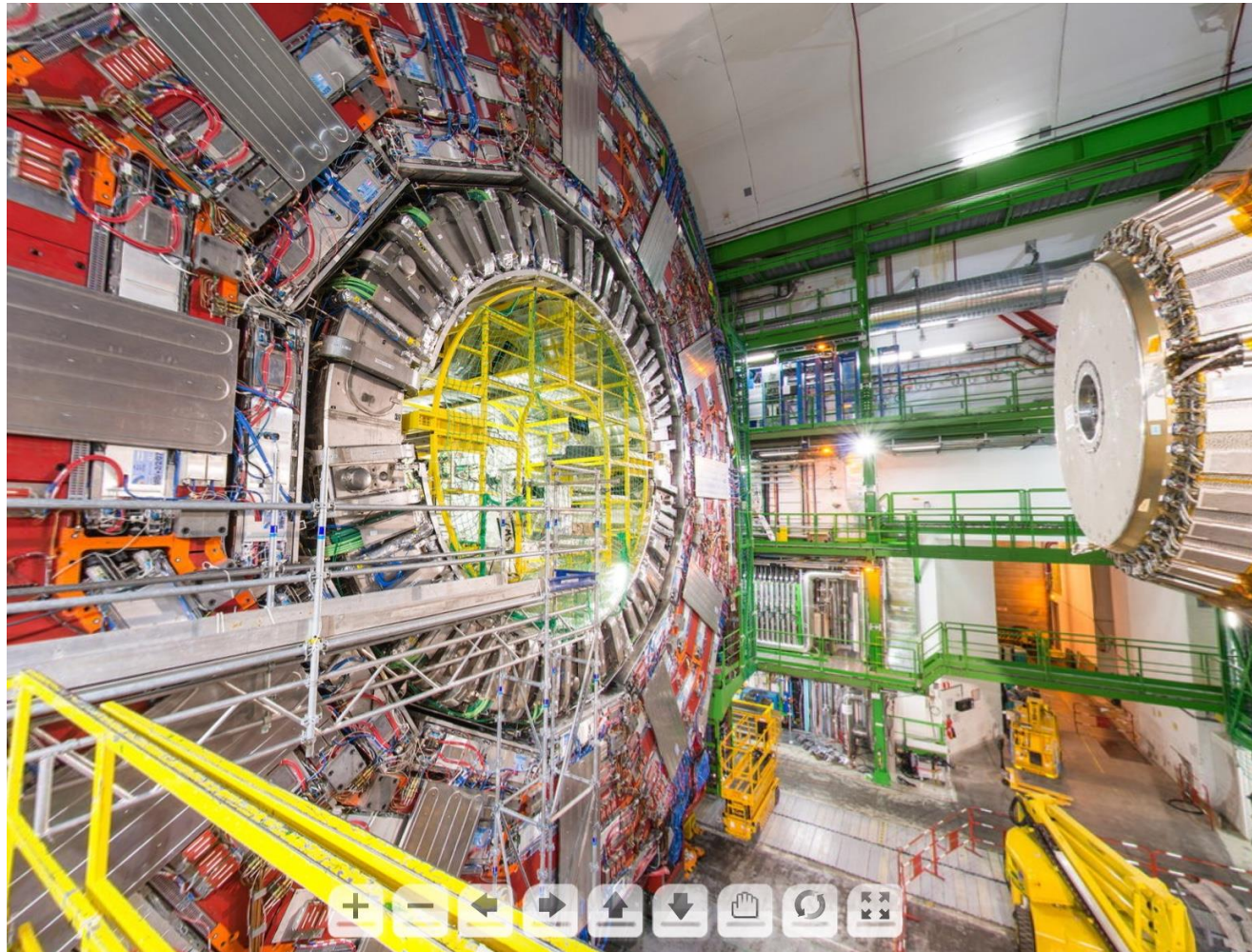
Rotating Sheilding



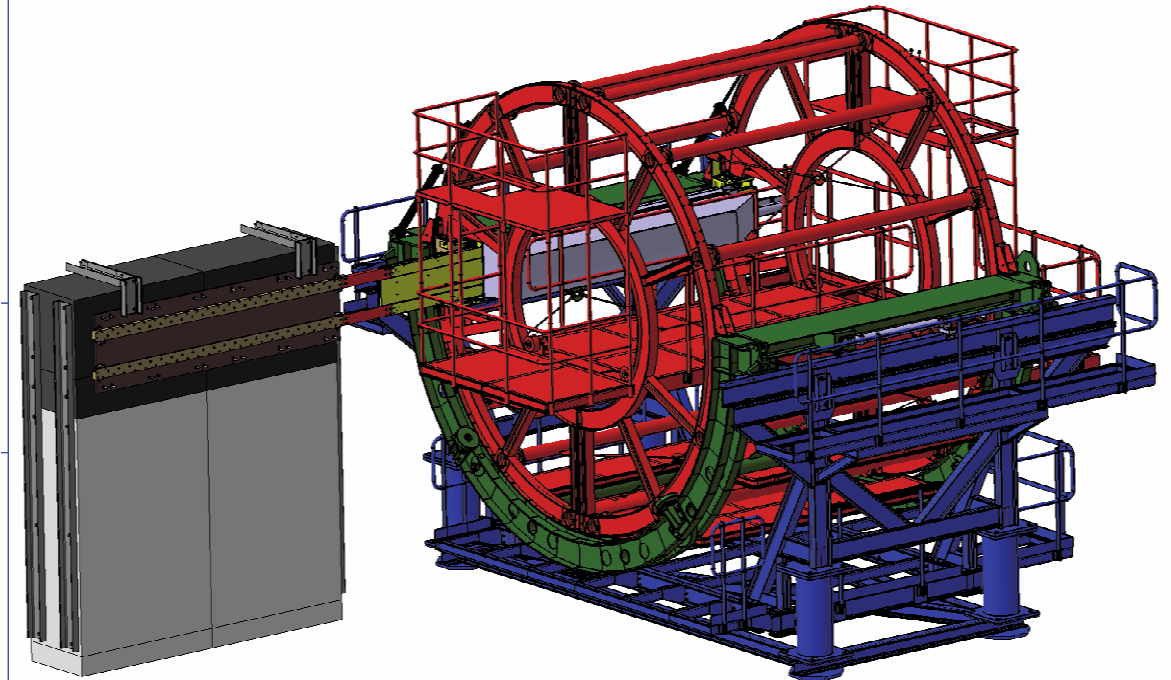
Floor of the cavern



Work platforms



Enfourneur



End cap calorimeter assembly

