

Preliminary

Summary and Closeout

Rob Gardner, UChicago

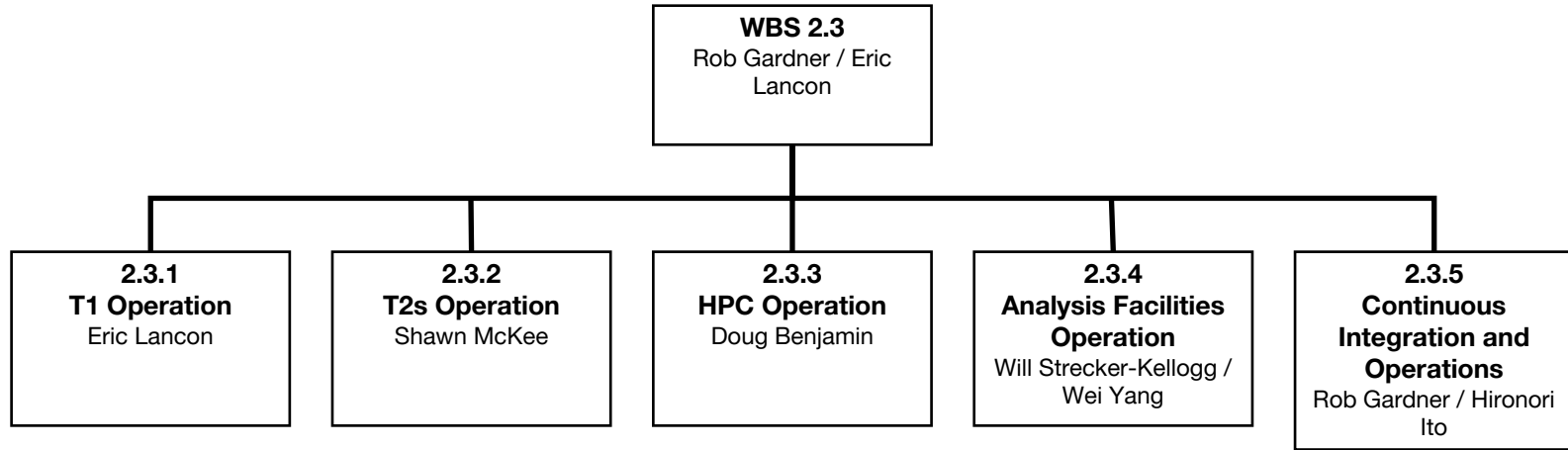
Eric Lancon, Brookhaven

US ATLAS Computing Facility Meeting at Argonne

December 3-5, 2018

<https://indico.cern.ch/event/766802/>

New WBS 2.3 organization



<http://bit.ly/facility-wbs>

We need proactive L2 managers!

Completed first pass for level 3,4. Focus now on level 4,5.

Looking forward

- Position ourselves at the forefront of innovation
- Leverage expertise and share knowledge with (external) partners (OSG-LHC,...)
- Optimise resources
- Get prepared for future challenges : new architectures, ML, storage, containers ...

Major actions ahead - I

- For Tier1
 - Storage retirement/expansion for 2019, lake development
 - Migration to SSO
 - Operational Globus end-point
- For Tier2
 - Complete FY18 equipment purchases
 - Decommission SLAC DATADISK
- For HPC
 - Setup operation team
 - Work towards transparent operation of HPC resources

Major actions ahead - II

- For Analysis Facilities
 - Federated identity, but need solution for UID management (CILogin?)
 - Interactive environments, Jupyter access to HTC
 - Improve connection with user communities (ATLAS centers, Physics support, ML working groups, etc...)
 - Need for a US ATLAS wide process integrating all stakeholders (across various WBS and physics)
 - Evaluate before next scrubbing effort and hardware needed for efficient operation and support

Major actions ahead - III

- For CIOPS
 - Organize ADC Ops team, feedback to ADC/S&C mgt (ex: dashboard,...)
 - Xrootd community support, partnering w/ other stakeholders
 - Xcache deployed at sites (on the work plan since last 2 scrubblings)
 - Complete program of [work](#) document

Facility Resource Review (FFR)

- To follow-up on recommendation from Facility Evolution document we are planning in 2019 to review capacities, configuration, needs for each site - including future infrastructure upgrades
- Will enlist help from experts in ATLAS and university-based computing facilities management

In place for FY19 spendings

Meetings

- New coordination meeting with area leads only, bi-weekly
 - First meeting December 19, 1pm EST
 - focus on new ADC deliverables from S&C week
- New format for technical portion in off-weeks
 - to be discussed by area leads
- Thursday's Xcache devops meeting w/ Xrootd team, OSG, CMS

Next workshop

- No colocated event with next HSF/OSG/WLCG workshop in March at JLAB
 - Too many // meetings that week
- Sometime in spring, announced well in advance, avoiding clashes with other events if possible
- Active participation of L2s in organising and defining goals and outcomes of the workshop
- Call for volunteer institute for hosting the event
- Feedback about the current format of the workshop needed

Slides on Indico

from Davide Constanzo's November S & C Newsletter:

Uploading files to Indico agendas

There is a practice of uploading links on Indico agendas to cloud services such as Google Docs, iCloud or GitHub, rather than providing files. **Please ensure that you always provide a PDF or PPTX file and directly upload it to Indico**, since these agendas are an important record of our collective work, and they should not be vulnerable to changes to the terms of the cloud providers or the status of the account belonging to the person who gave the presentation.

A BIG thank you to

- Argonne National Laboratory
- Doug
- Nancy