

HPC + grid containers

A. Forti

HPC Jamboree

06 March 2019

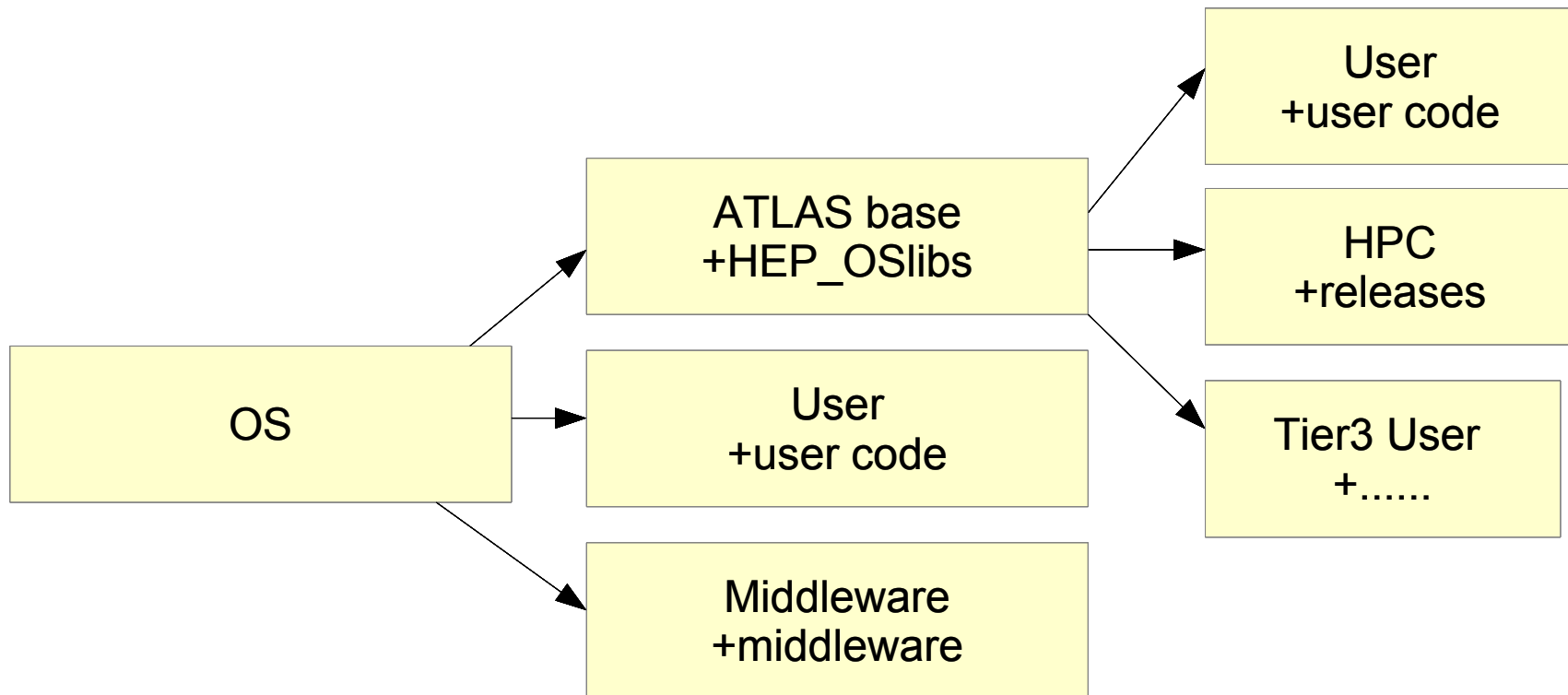


HPC/grid

- So far HPC and grid treated as a separate problem
- HPC its own method to build images
 - Jumbo multi releases images built at BNL
- Some of this cannot be avoided
 - OLCF custom build environment
- Increasing number of HPCs will make this difficult to handle
- Need to converge on a common way to build and distribute images
 - Trying to keep images small and more agile
- Even of OLCF will need to find a more scalable way



Images



- All ATLAS images built on docker
 - ASG images
 - ADC images in CVMFS
 - ML images
 - Middleware images
 - HPC images
 -



Atlas on Docker Hub



atlas/athena ☆

By atlas • Updated 21 days ago

ATLAS Athena Release

Container

Overview

Tags

Tags (7)

21.0.15_DBRelease-100.0.2 6 GB

Last update: 21 days ago

21.0.31_DBRelease-100.0.2 6 GB

Last update: 25 days ago

21.0.31 6 GB

Last update: 25 days ago



atlas/analysisbase ☆

By atlas • Updated 5 days ago

ATLAS Standalone Analysis Release

Container

Overview

Tags

Tags (123)

latest 1 GB

Last update: 5 days ago

21.2.65 1 GB

Last update: 5 days ago

21.2.65-20190301 1 GB

Last update: 5 days ago



Built for HPC use case