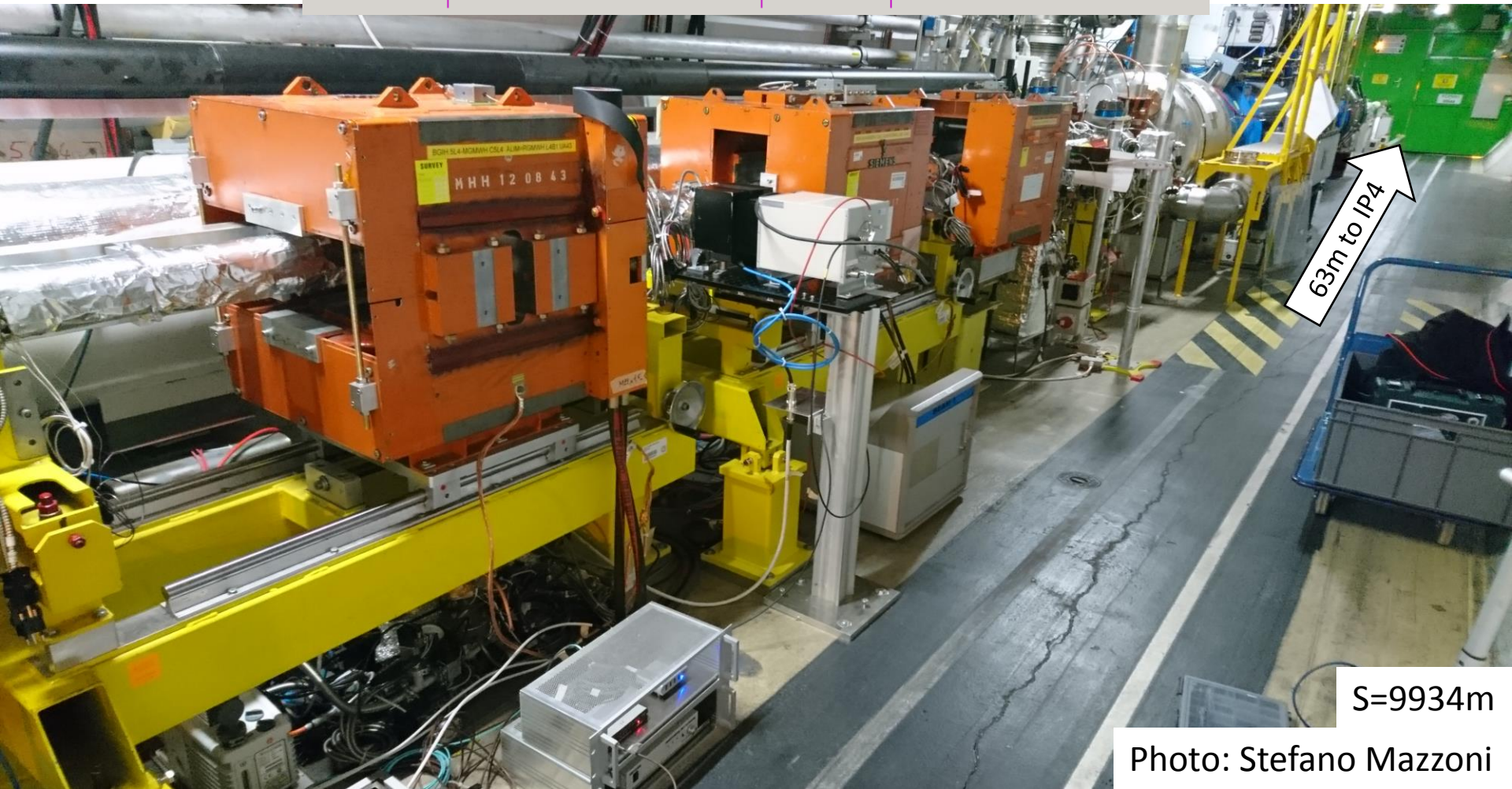
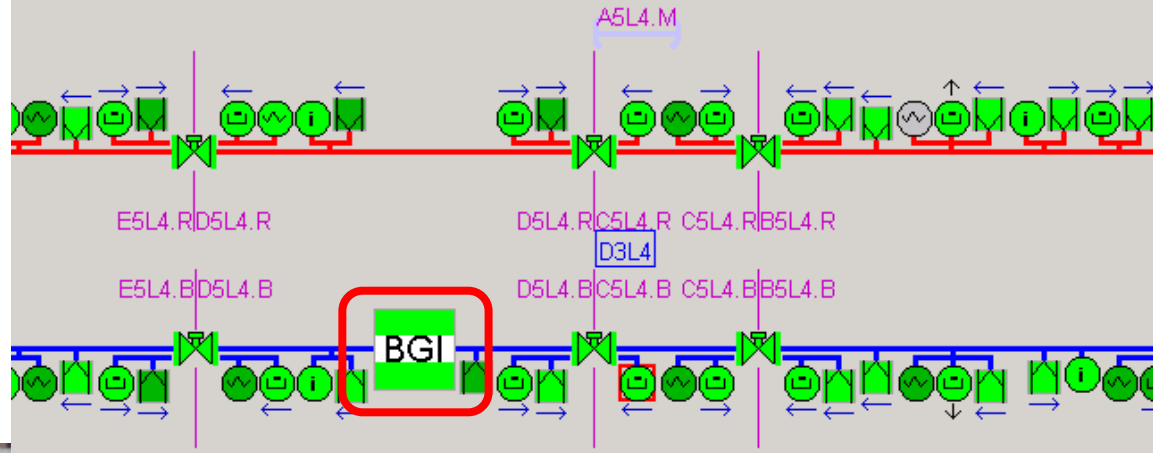
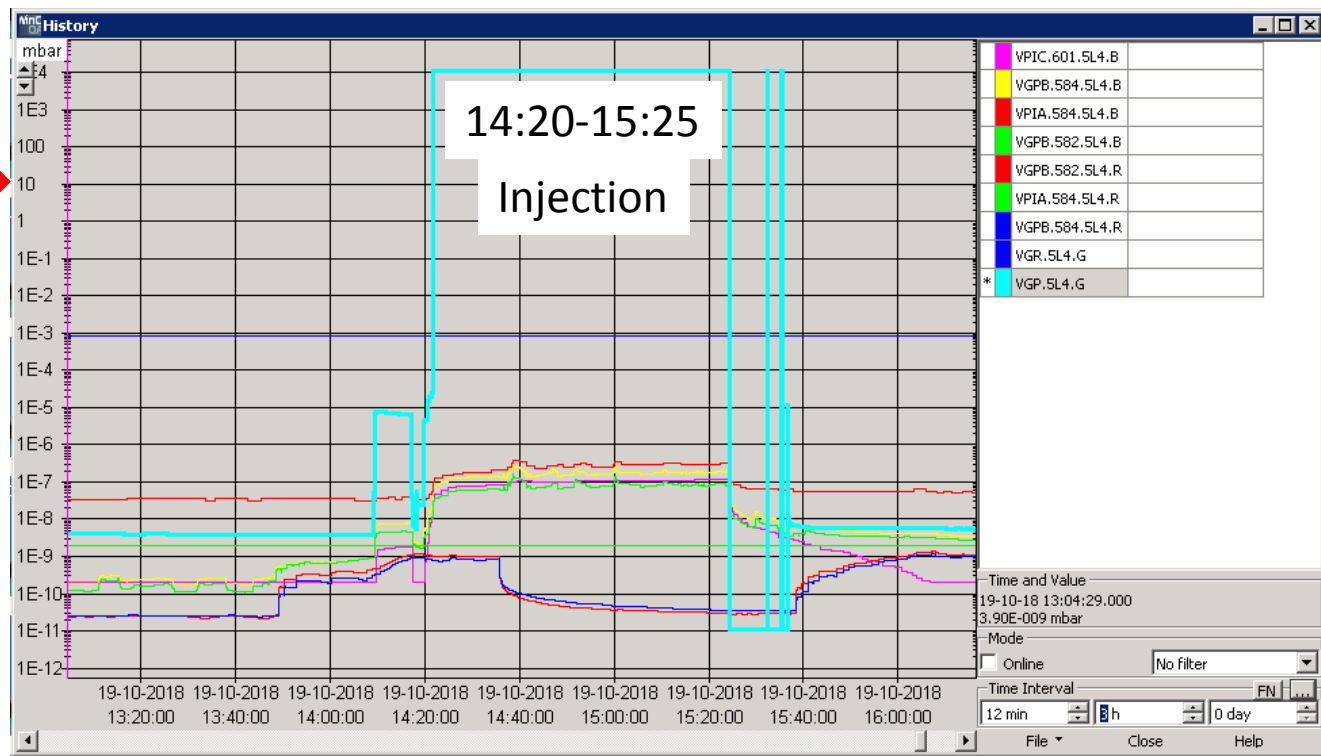
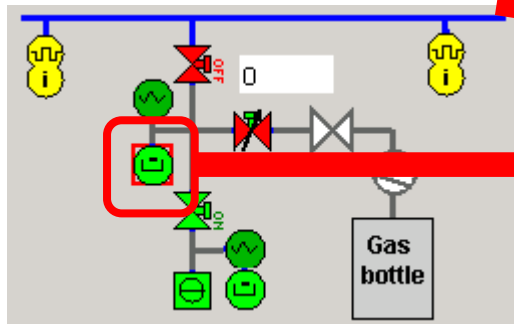
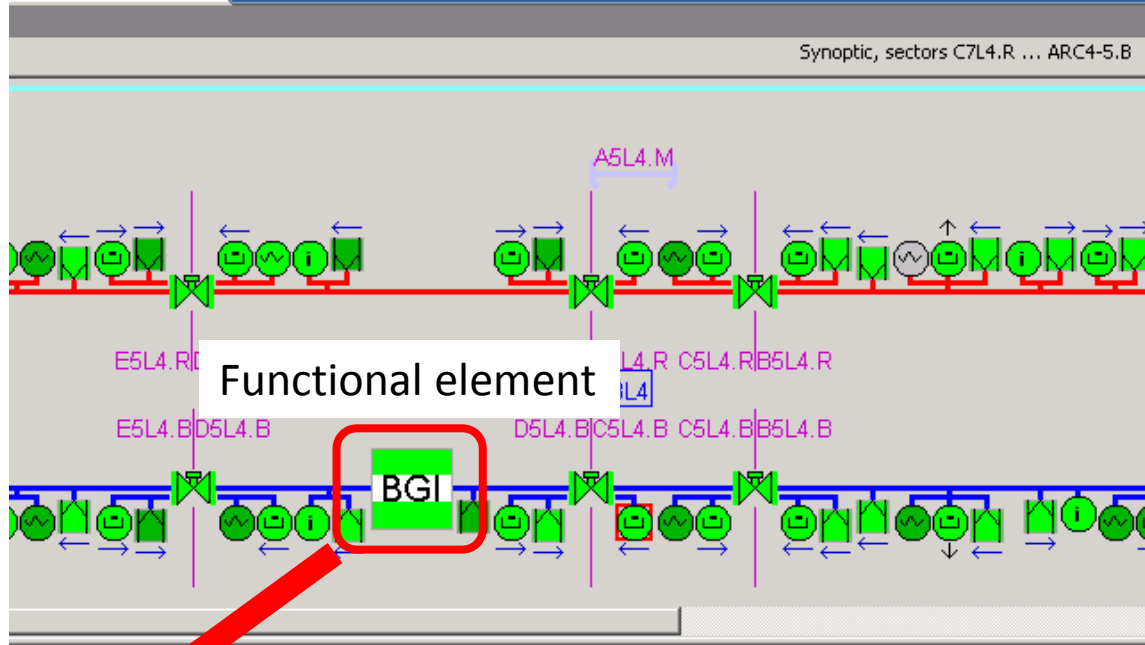


# Ne injection test in the LHC

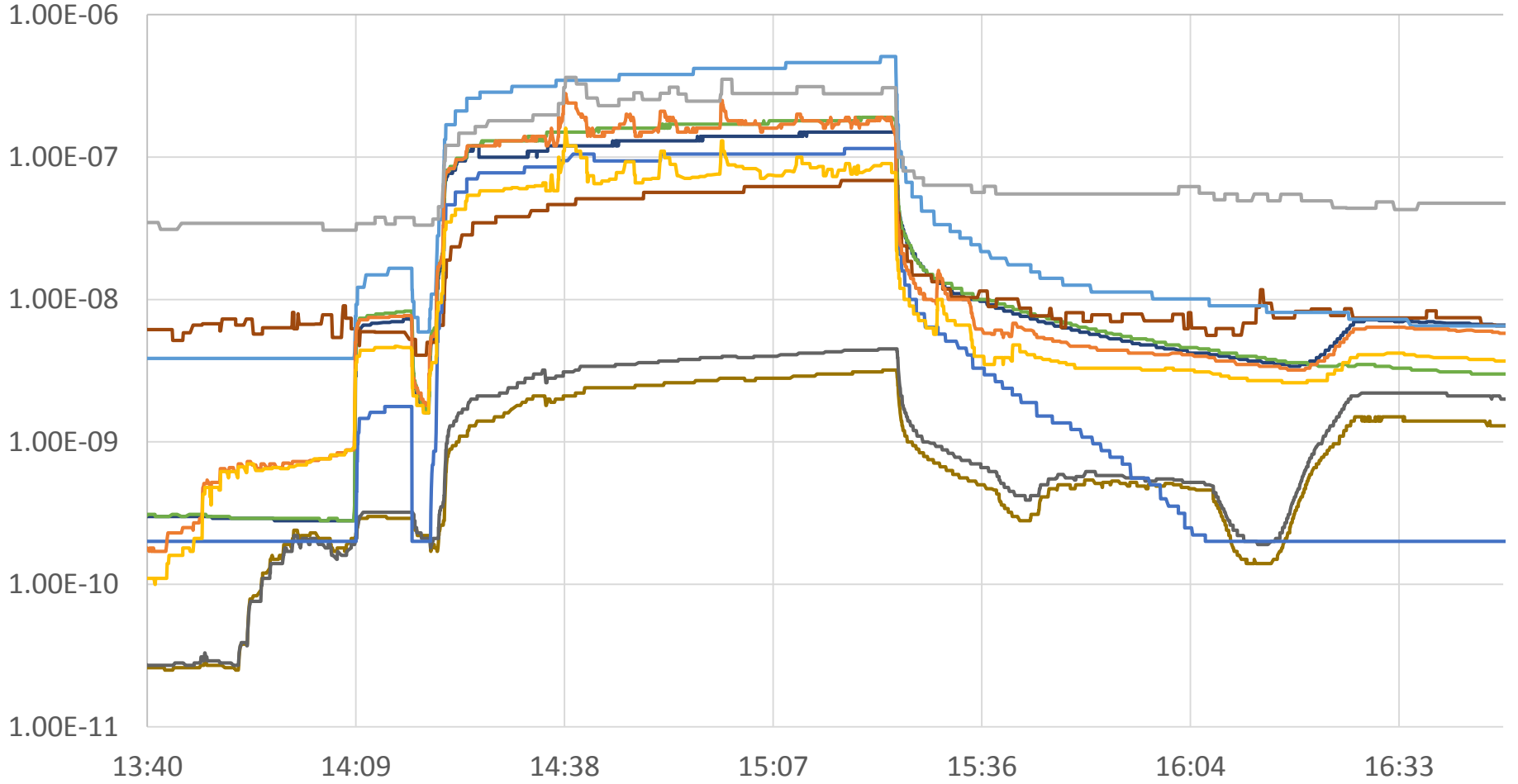
Date: 2018-10-19

Stefano Mazzone (experiment)  
Marton Ady (slides)





Pressures around injection point



-54.49 -54.24 -18.003 -17.76 -17.65 -2.92 2.88 4.6182 4.6182 4.8672

Relative positions [m]

Pressure vs position at end of injection

