

# Data flow FPGA programming

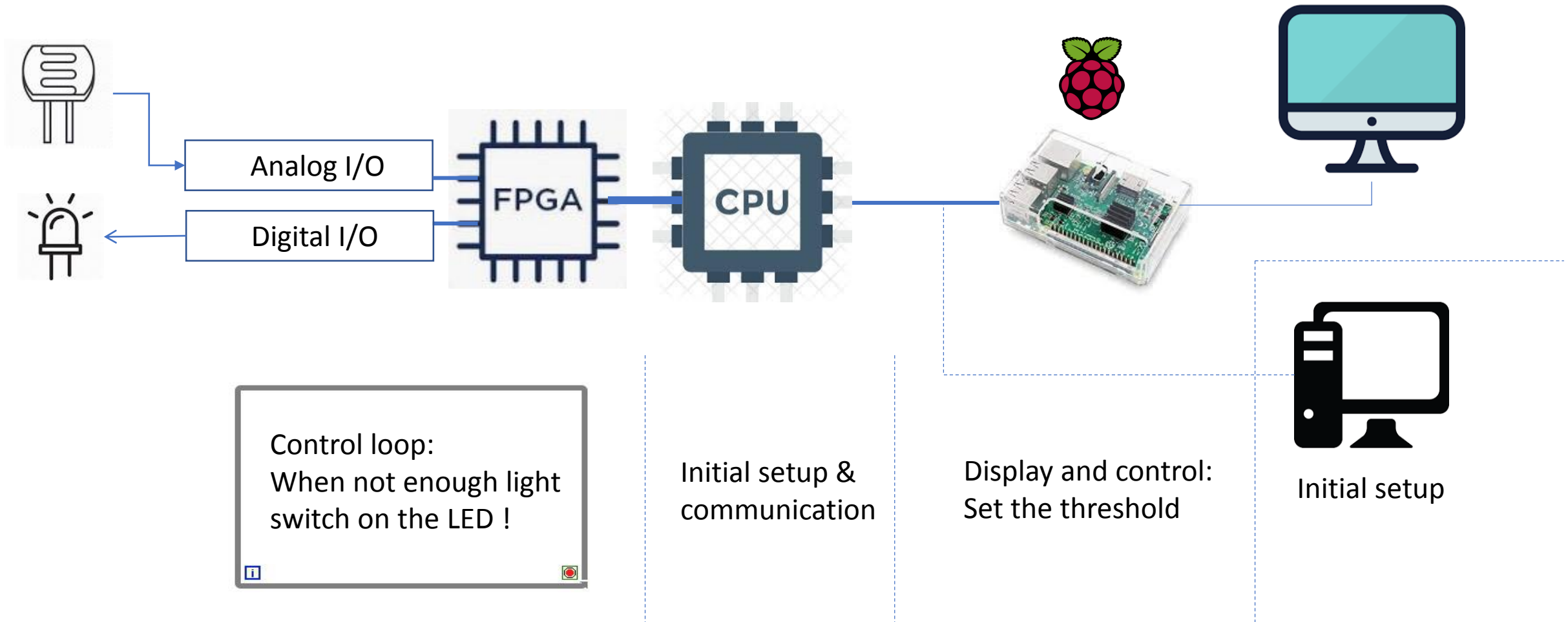
Joseph Tagg & Adriaan Rijllart

Measurement, Test and Analyses section

SMM group, EN department

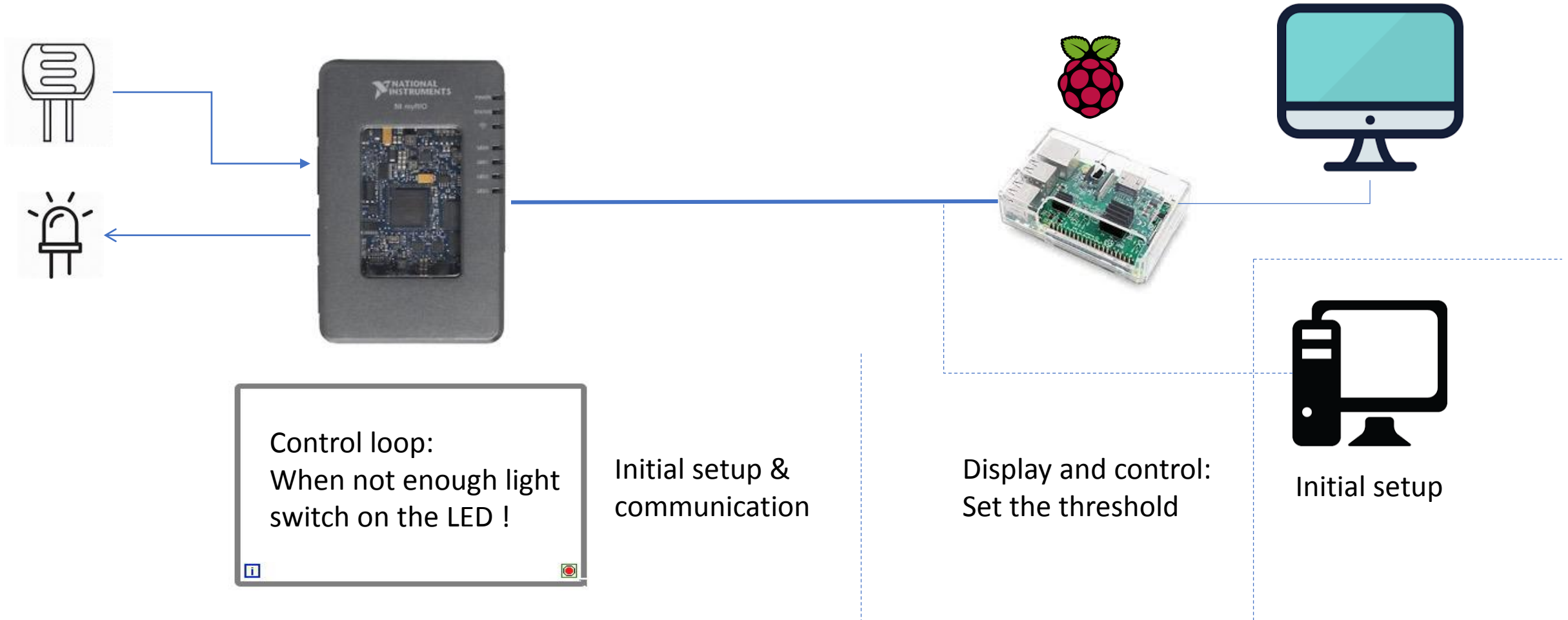
# LED control with an FPGA

“Switch on the LED”

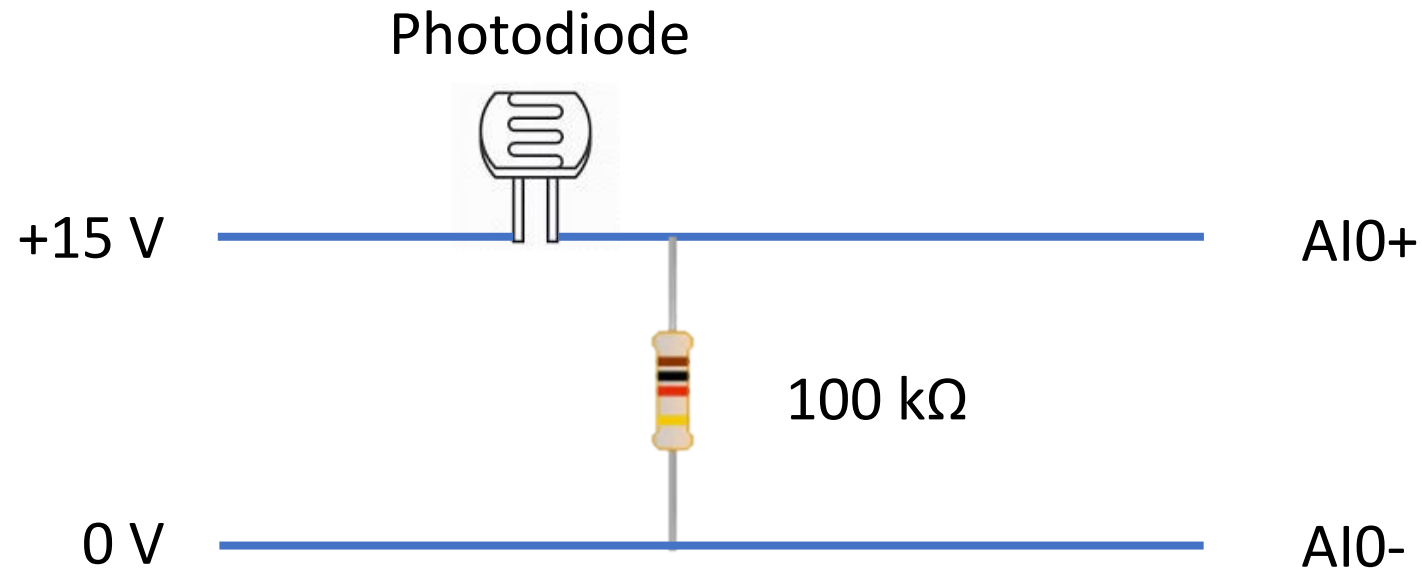


# LED control with an FPGA

“Switch on the LED”



# Photodiode circuit



myRIO



# LabVIEW interface to FPGA and CPU

