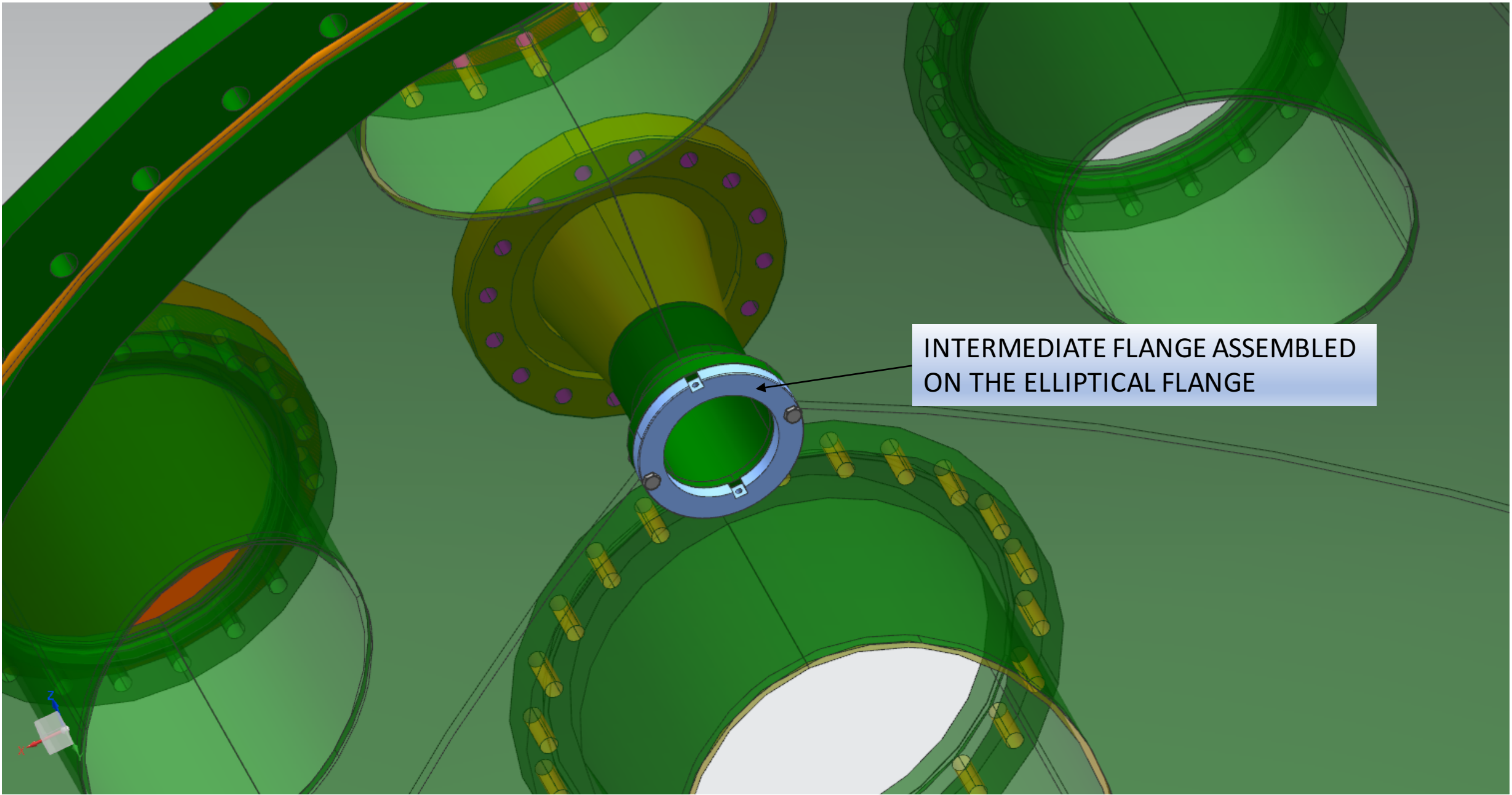


ELLIPTICAL FLANGE – UPSTREAM WFS

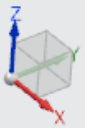
ASSEMBLY PROPOSAL

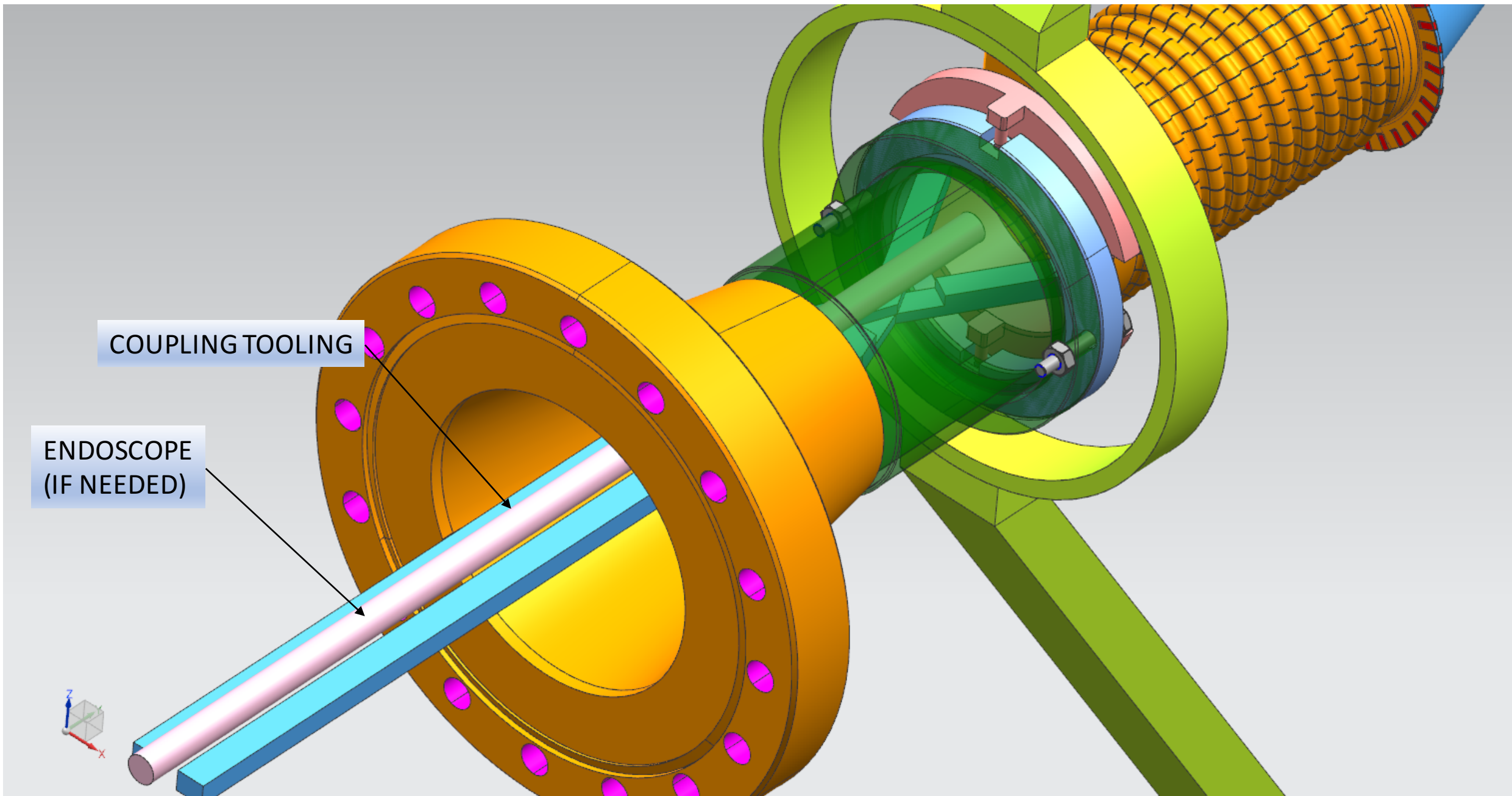


INTERMEDIATE FLANGE ASSEMBLED ON THE ELLIPTICAL FLANGE

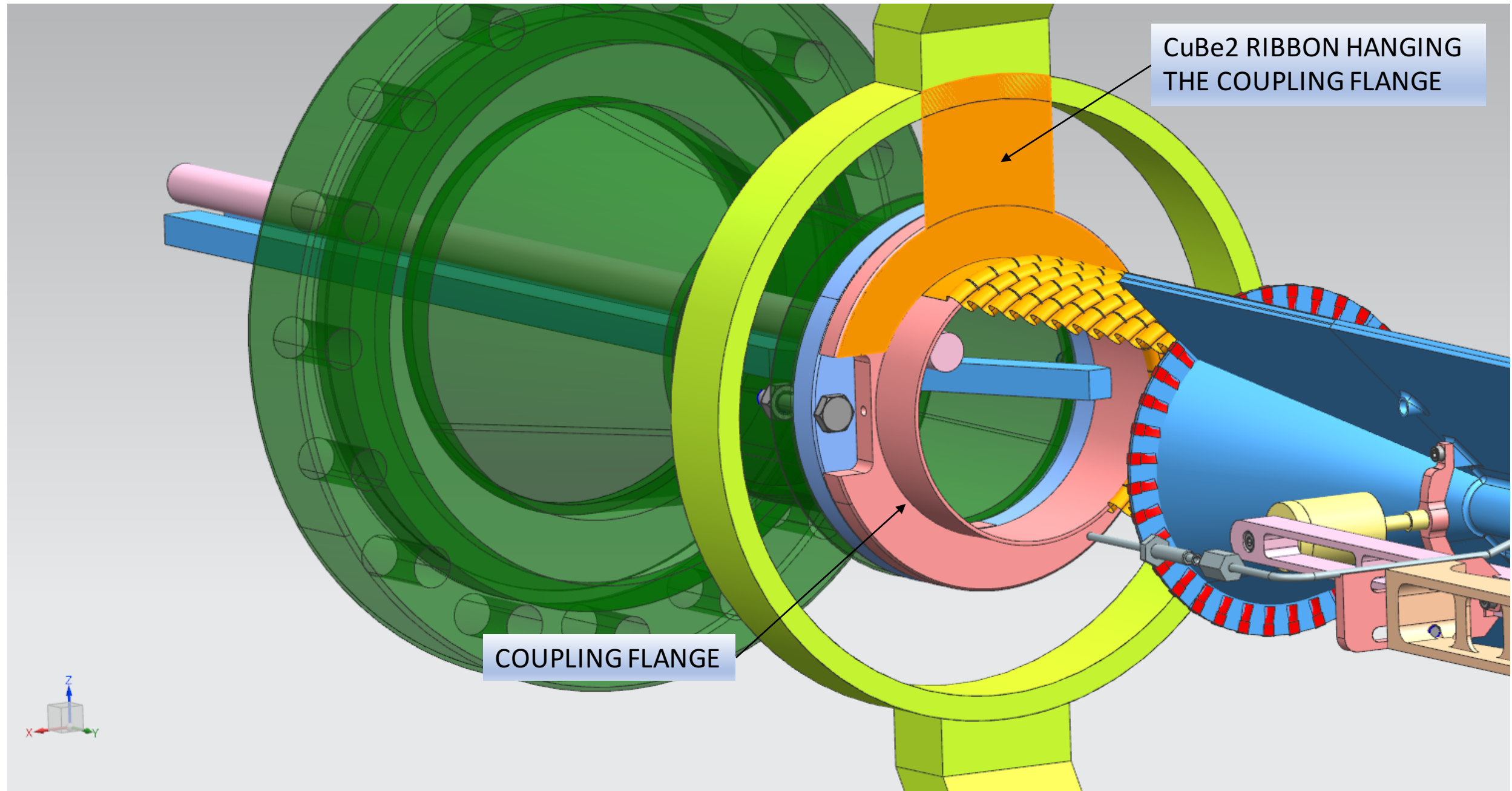
INTERMEDIATE FLANGE

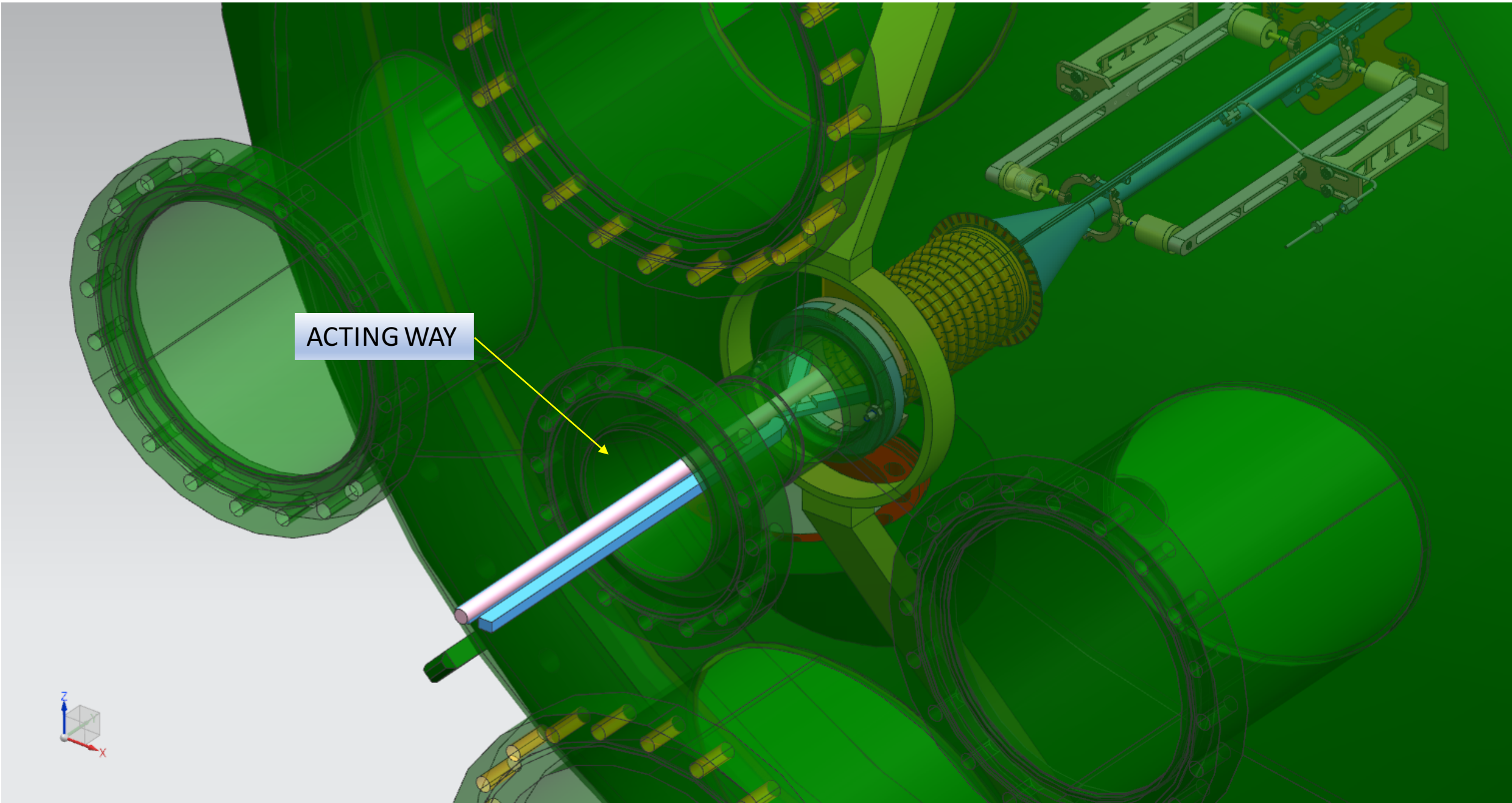
COUPLING FLANGE











ACTING WAY