

LS2 planning meeting

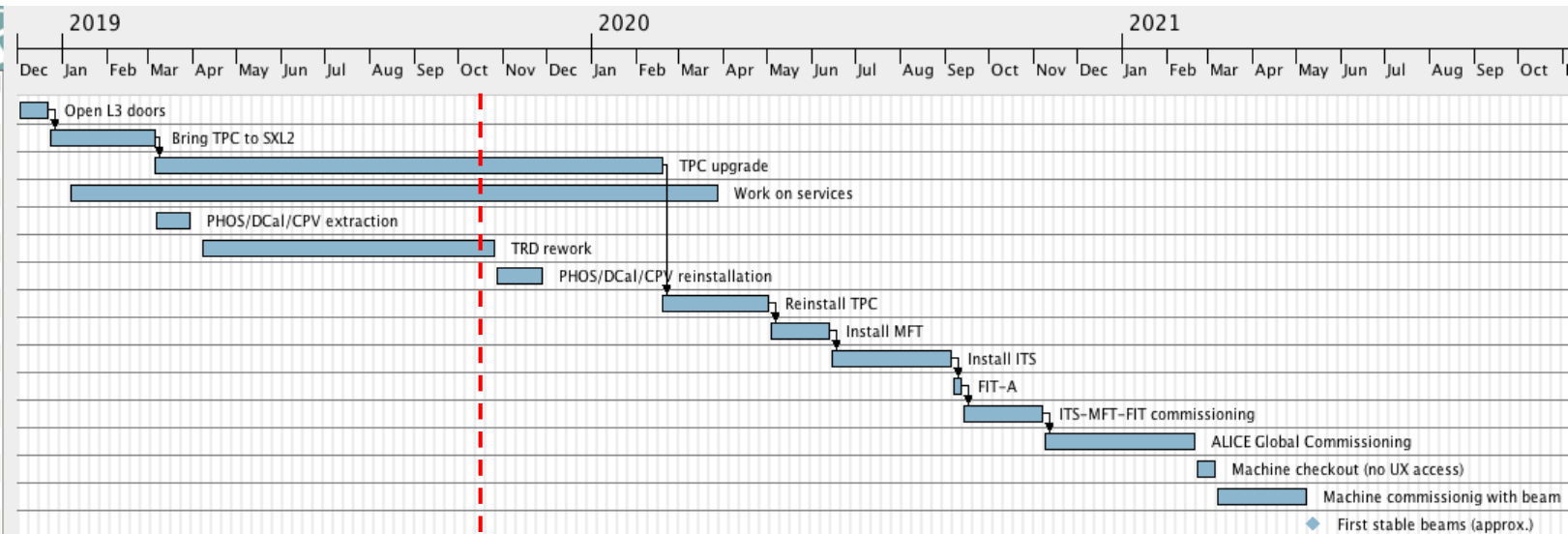
A.Tauro



LS2 master plan (v31)



Begin date	End date	Dur...
3/12/18	21/12/18	15
24/12/18	5/3/19	52
6/3/19	18/2/20	250
7/1/19	27/3/20	320
7/3/19	29/3/19	17
8/4/19	25/10/19	145
28/10/19	27/11/19	23
19/2/20	1/5/20	53
4/5/20	12/6/20	30
15/6/20	4/9/20	60
7/9/20	11/9/20	5
14/9/20	6/11/20	40
9/11/20	19/2/21	75
22/2/21	5/3/21	10
8/3/21	7/5/21	45
10/5/21	10/5/21	0



UX23 access restrictions

- **No access UX A-side on these dates (TRD blocks):**
 - **Wed 16.10 and Thu 17.10 (w42)**
 - **Fri 25.10 (w43)**
 - **Mon 28.10 (w44)**
- **No underground visits allowed on these dates.**

EN-EL interventions

- Test secours (10 min): 19 Dec 2019 from 8:00 AM to 11:00 AM
- 18kV, 3.3kV and LV network maintenance:
 - Mon 20 to Wed 22 Jan 2020: 3 days no general services - **no access on site (both surface and underground)**
 - Thu 23 to Fri 24 Jan 2020: 2 days "Limited access" → details to be worked out
- AUG on Monday 27 January 2020 - **no access on site (both surface and underground)**
- Auto transfer test: 27-29 Apr 2020
- BIW test: 5 and 6 Oct 2020 from 18:00 to 00:00 – **no access underground**

Racks status

- Racks currently powered on:
 - HMPID racks
 - TOF (I-side) racks
 - Rack C24 and C25 (CTP) (and VME crates on)
 - Racks C37 and C39 (MCH)

EN-CV interventions

- **Big maintenance:**

- SF: from Nov 2019 to mid Jan 2020. NO impact on ALICE as both magnets will be OFF.
- UW: **stop UX mixed water** for 2 days in week 41/2019 (October) – Tue 8 and Wed 9 Oct
- SU: various small perturbations + 1 day **stop all cooling UX** + 1 day **stop all cooling SXL2** in week 16/2020 (April).

- **Small maintenance:**

- UW: from mid Aug 2020 to mid Sep 2020. **Stop mixed water UX** for 1 day in week 37/2020 (September).
- SF+SU: weeks 45-47/2020: cleaning towers (stop SF 1 week) + 1 day **stop all cooling UX**.

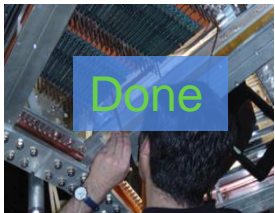
- **Ventilation:**

- SG2: w7/2019 - Done
- Gas extraction: w8/2019 - Done
- UX25 cavern: May 2020 (tbc)
- MCH and MTG: Apr 2020 (tbc)
- L3: Apr 2020 (tbc)
- ITS: Apr 2020 (tbc)

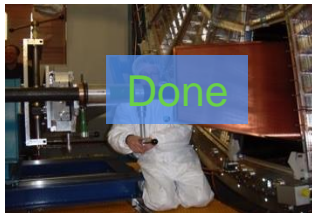
- **Raw water:**

- Test after Apr 2019. Short interruption (1 day), can be used tap water during the test.

TPC upgrade sequence



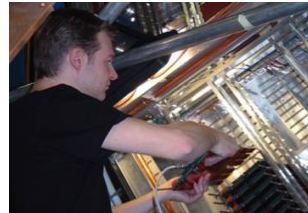
Remove Services and FEE
(outside cleanroom)



Uninstall MWPC ROC



Install GEM ROC



Install new FEC + test



Transportation to SX2



TPC in cleanroom.
Cleaning & irradiation tests

7 Mar

11 Apr



FC HV infrastructure
modification

25 Apr (A)
5 Aug (C)

13 May (A)
16 Aug (C)



Survey, sealing,
overpressure test

14 Jun (A)
25 Aug (C)

5 Jul (A)
16 Sep (C)



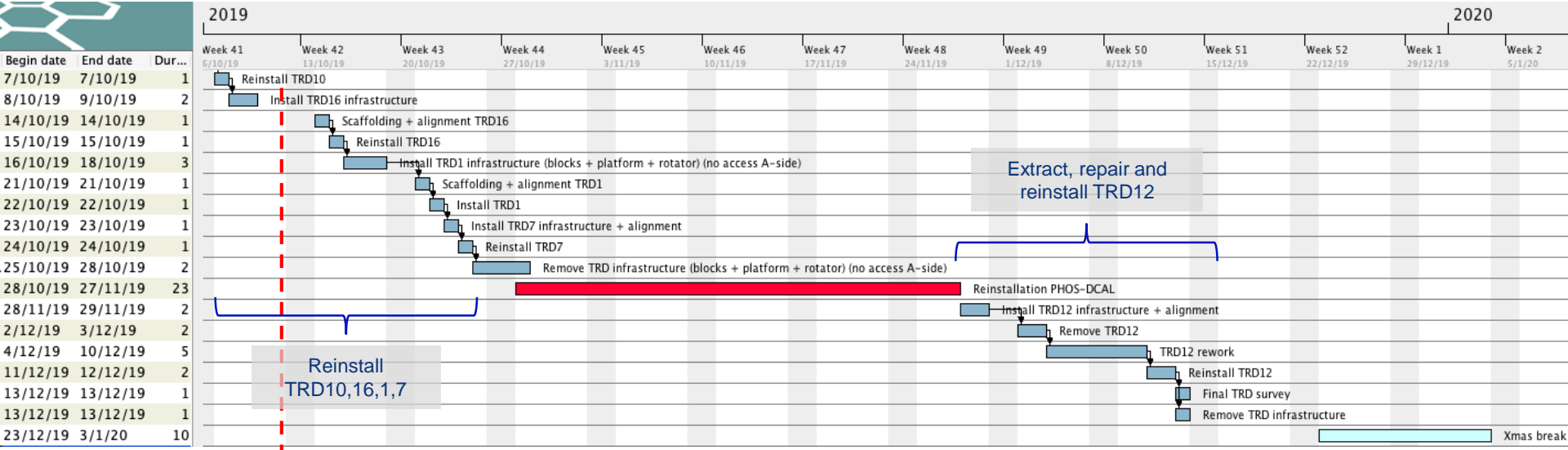
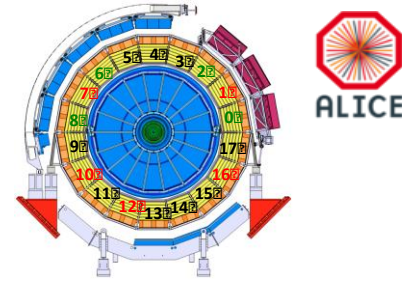
Pre-commissioning with
cosmic, Laser, pulser, Xray

14 Oct (A)
31 Oct (C)

31 Oct (A)
4 Dec (C)

18 Feb 2020

TRD schedule



TOF schedule

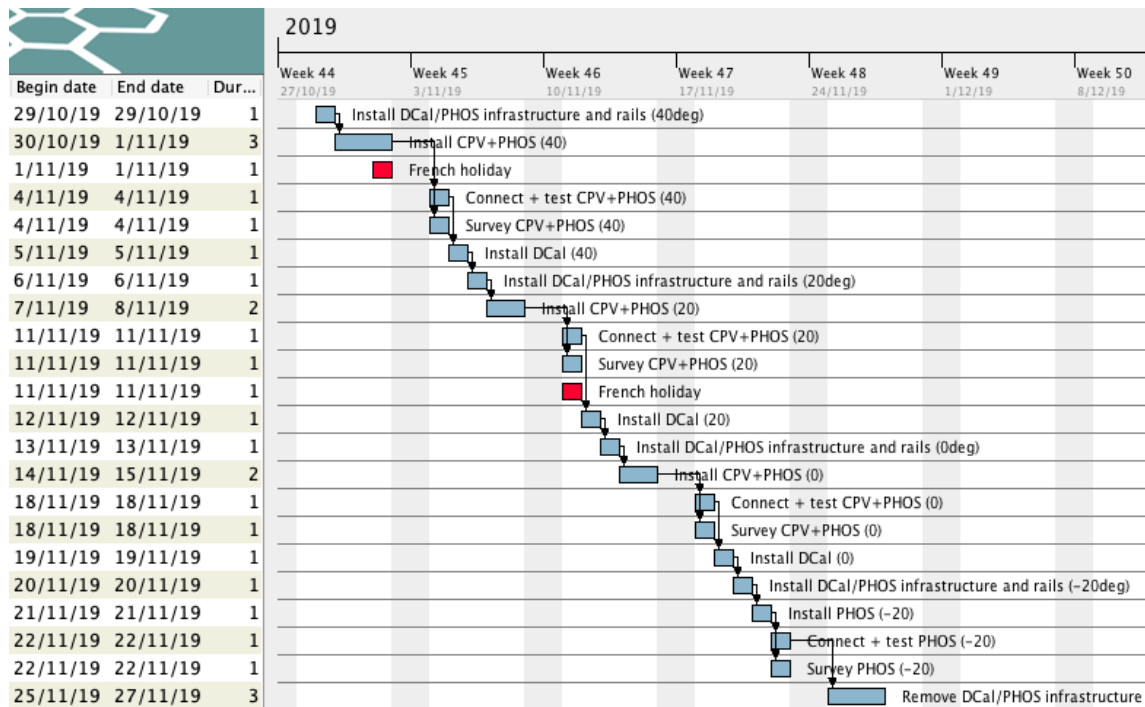


2019

Begin date	End date	D...
30/9/19	4/10/19	5
14/10/19	18/10/19	5
21/10/19	25/10/19	5
18/11/19	22/11/19	5
25/11/19	29/11/19	5

Week 39	Week 40	Week 41	Week 42	Week 43	Week 44	Week 45	Week 46	Week 47	Week 48	Week 49	Week 50	Week 51
22/9/19	29/9/19	6/10/19	13/10/19	20/10/19	27/10/19	3/11/19	10/11/19	17/11/19	24/11/19	1/12/19	8/12/19	15/12/19
	Install DC/DC I-side modules (need power)											
			Install DRM2 I-side modules (need power, fibers)									
				Replace DC/DC SM 0, 1, 16, 17 (need power) - move SMs								
								Replace DC/DC SM 7, 8, 9, 10 - move SMs				
									Install DRM2 O-side modules			

DCal/PHOS/CPV schedule



Jean-Se will come in w44, w45 and w48 (w48 if needed)

Jean-Francois will come with one technician (Marc Marton) in w45, w46 and w47

Arrivals:

- Mon Nov 4th: operational around 10:30
- Tue Nov 12th: operational at 09:00
- Mon Nov 18th: operational at 09:00

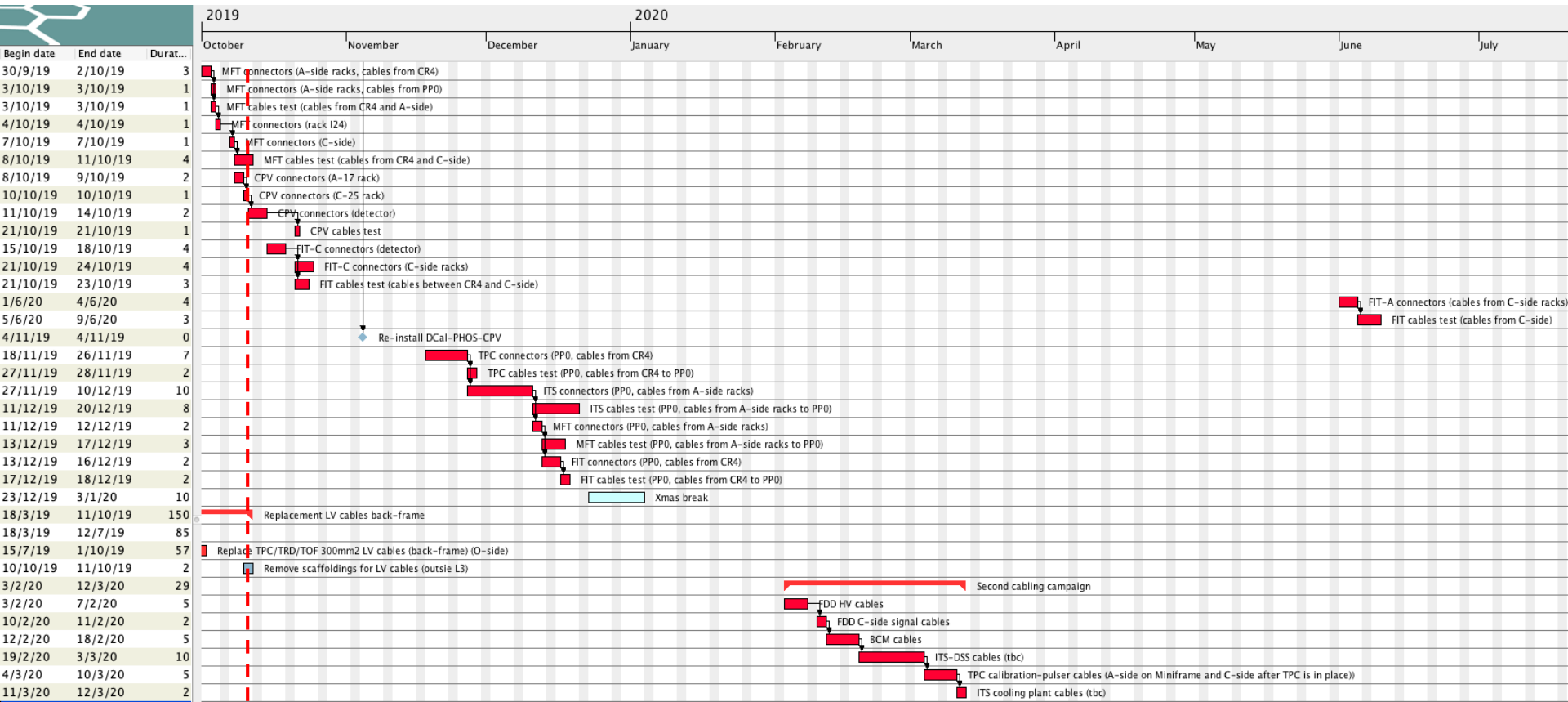
Departures:

On Fridays Nov 8th, 15th, 22nd: operational until 16:30 - 17:00

Copper cables (EN-EA)

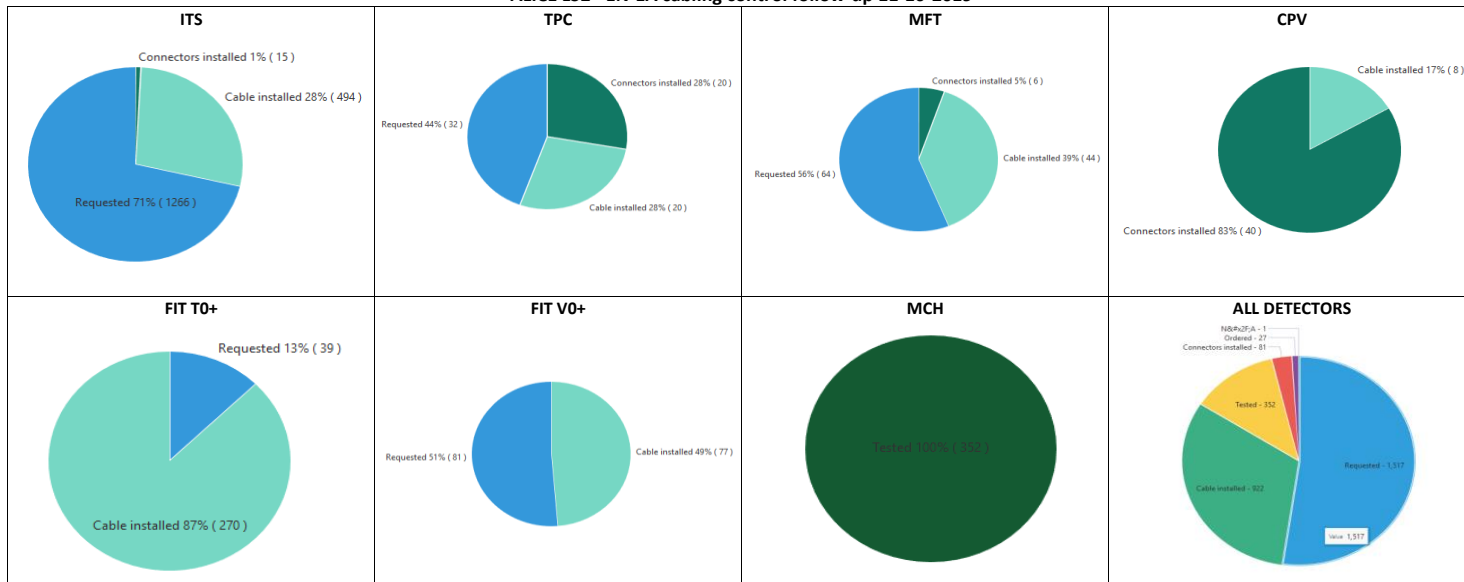


>>> 2nd LS2 cabling campaign in Feb-Mar 2020 → deadline for requests: Oct 31st! <<<



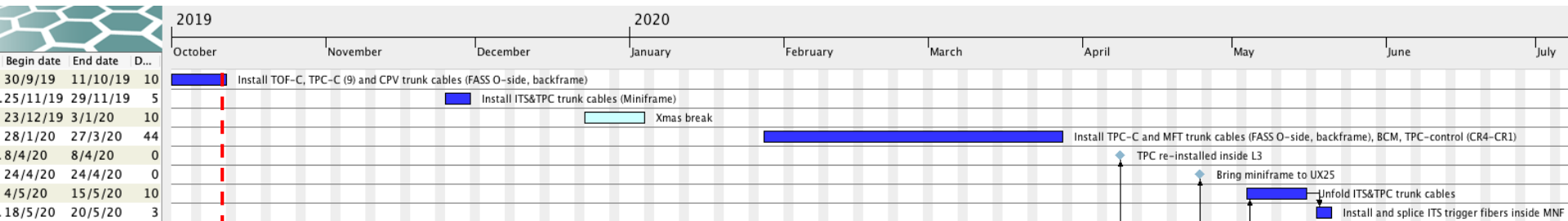
Copper cables (EN-EA)

ALICE LS2 - EN-EA cabling control follow-up 11-10-2019



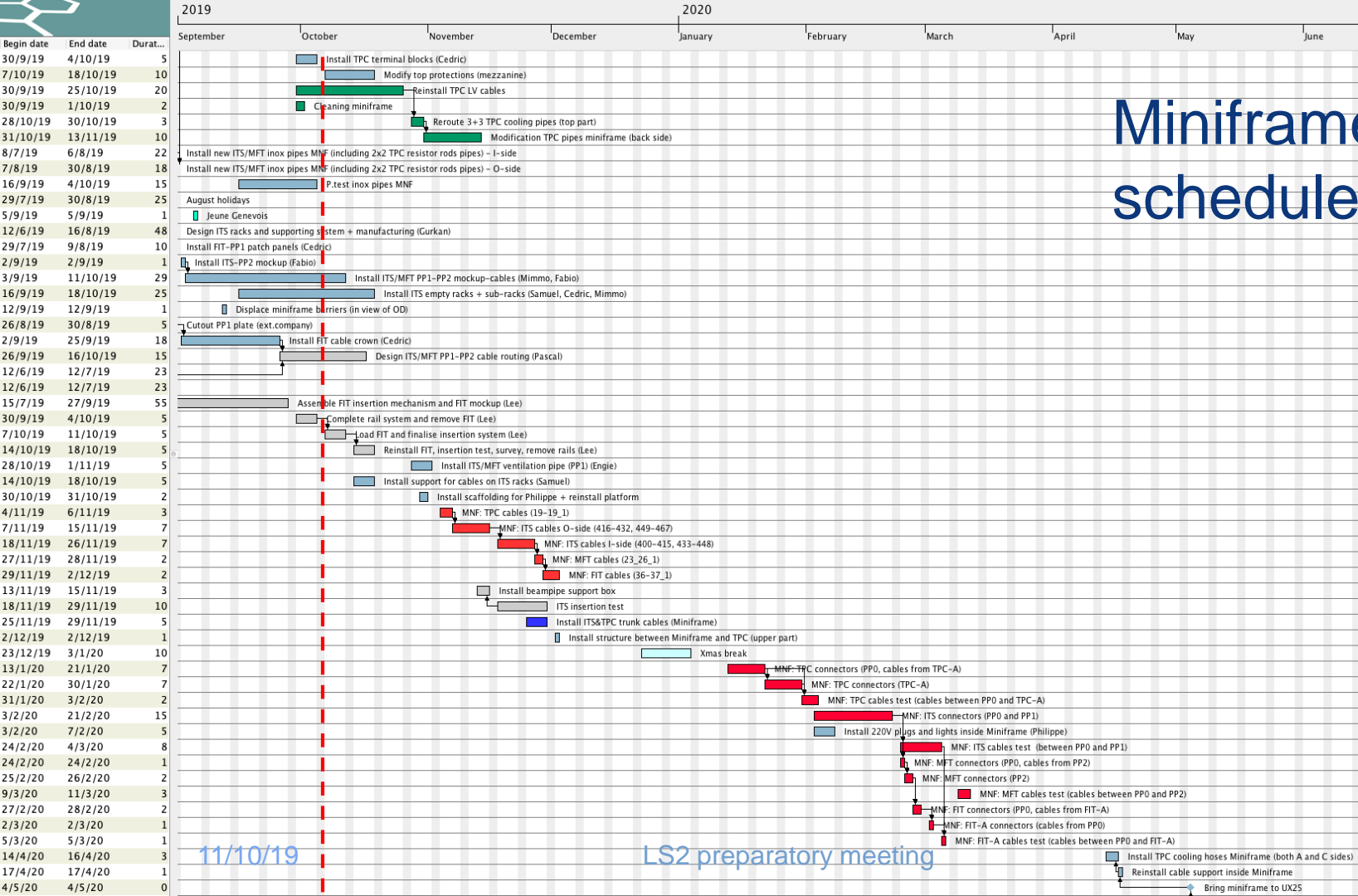
Progress: 47% done

Optical fibers (EN-EL)





Miniframe schedule



11/10/19

LS2 preparatory meeting

Day-by-day sequence w41

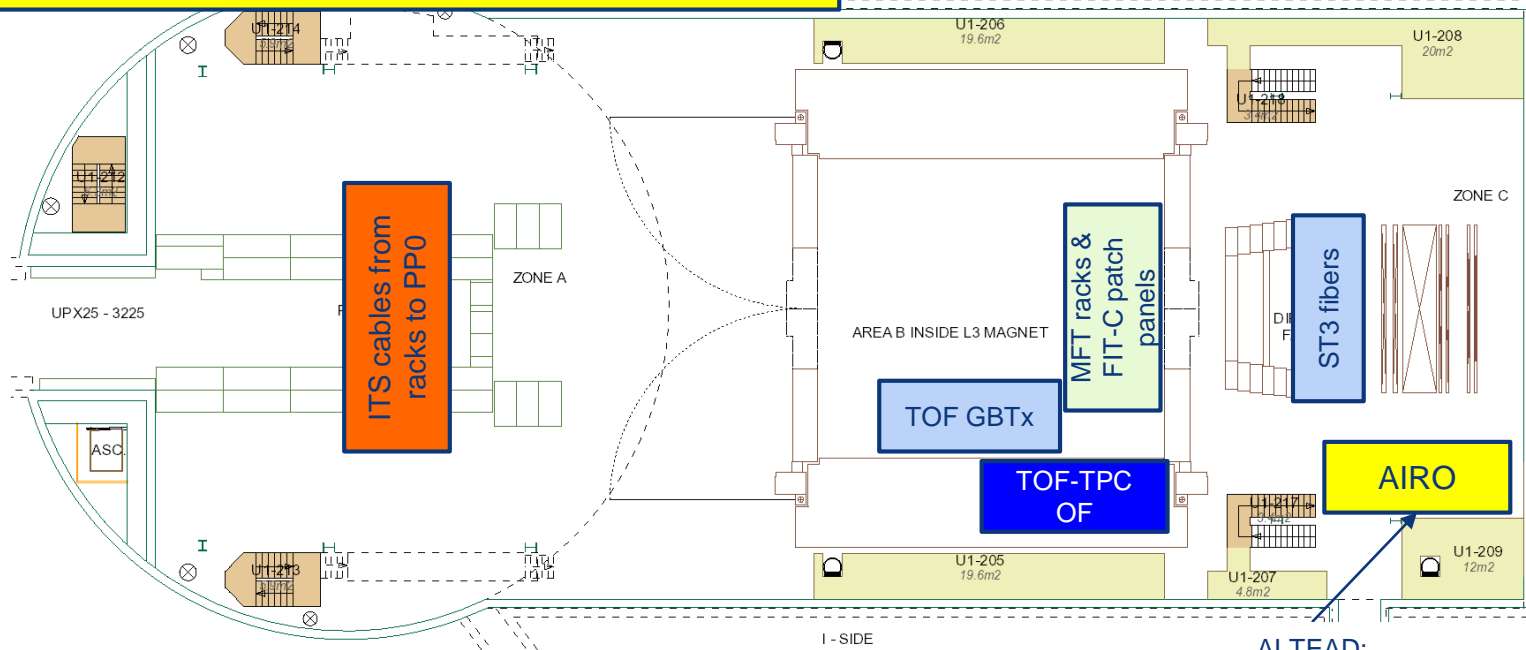


UX25 activities w41 – Mon 7 Oct 2019

CR0: test fire detection matrix with HSE (whole week)

SMB: floor painting corridor b.581

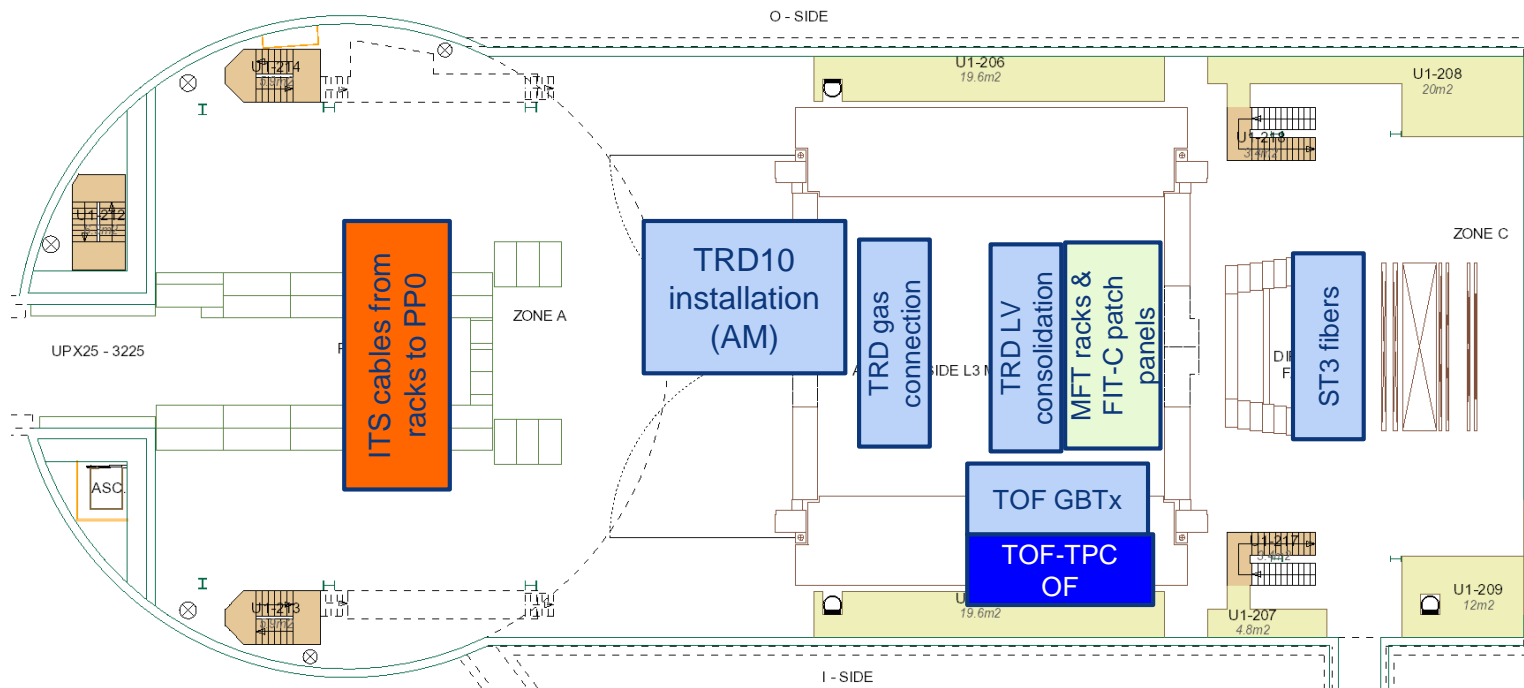
ALTEAD+CPV: bring CPV4 to SX2 and CPV2 to SU2



ALTEAD:
bring nacelle
here

UX25 activities w41 – Tue 8 Oct 2019

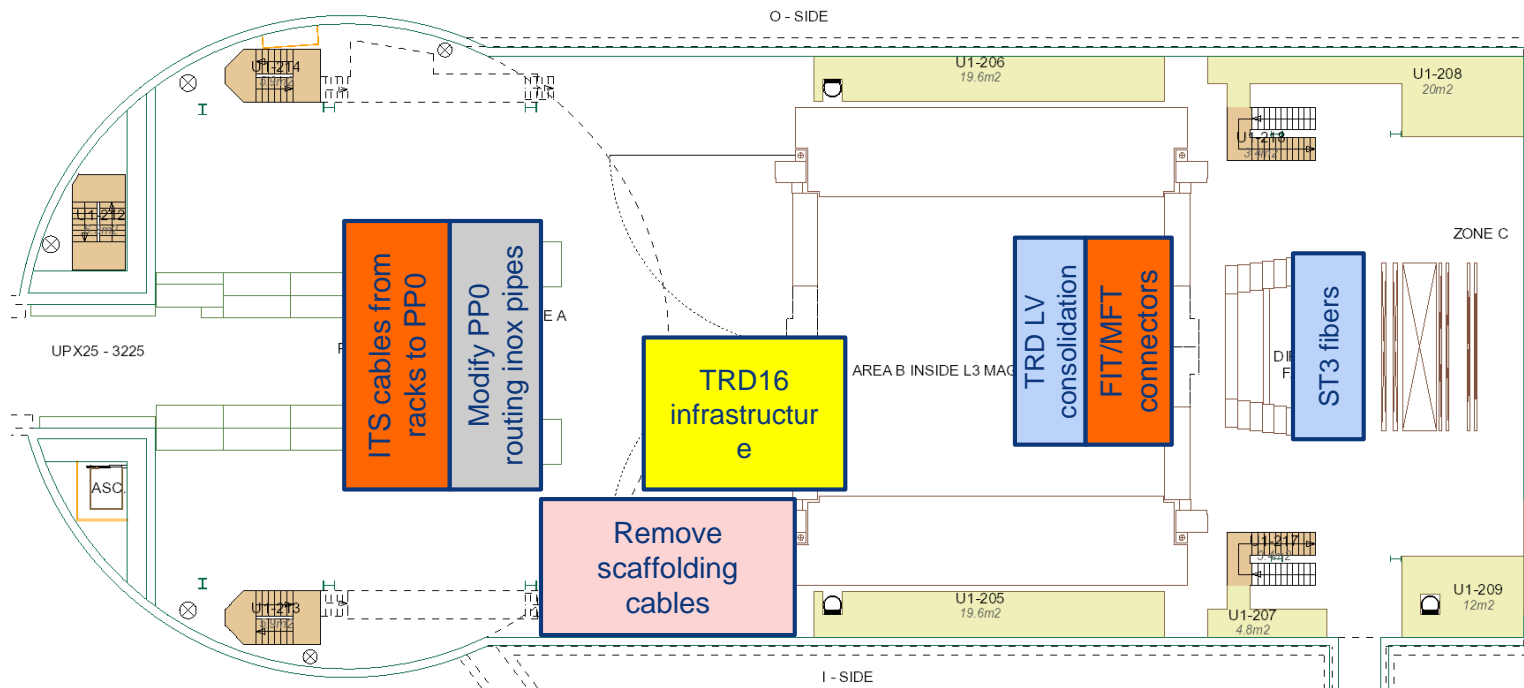
EN-CV: UW maintenance: STOP UX mixed water



UX25 activities w41 – Wed 9 Oct 2019

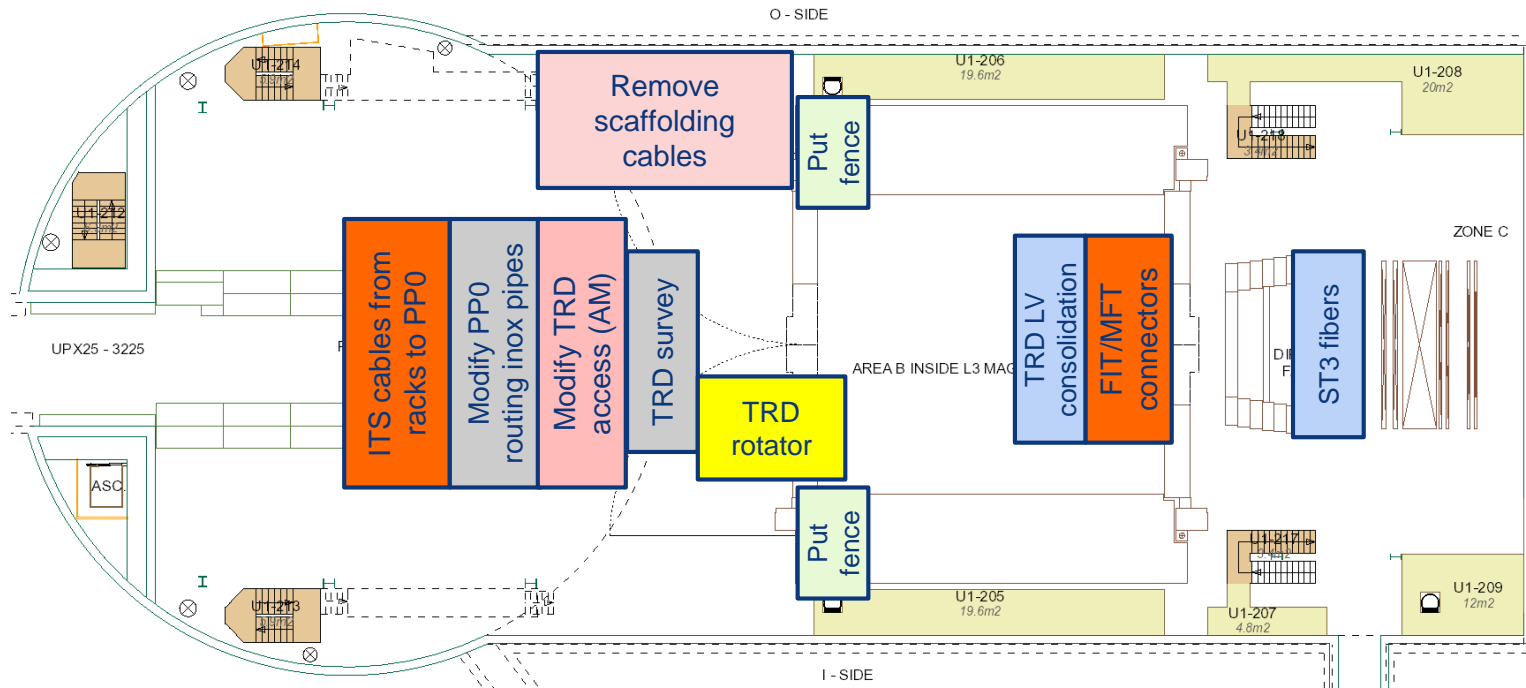
EN-CV: UW maintenance: STOP UX mixed water

Bring up TRD platform and inverse access (10→16)



UX25 activities w41 – Thu 10 Oct 2019

ALTEAD: bring TPC FECs to swimming pool at 9:00 (3 boxes)



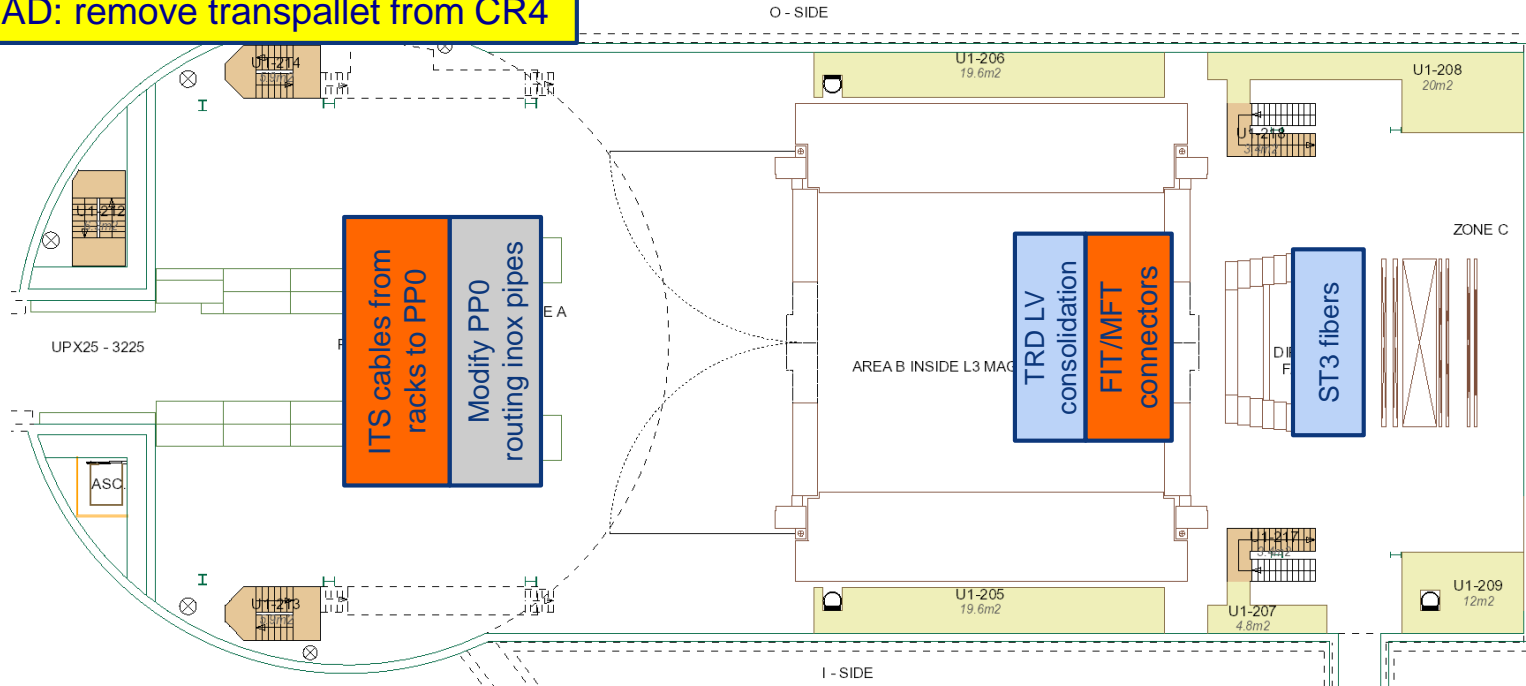
UX25 activities w41 – Fri 11 Oct 2019

CR0: close all Rextecs (Philippe, Samuel)

Maintenance UX25 cavern crane

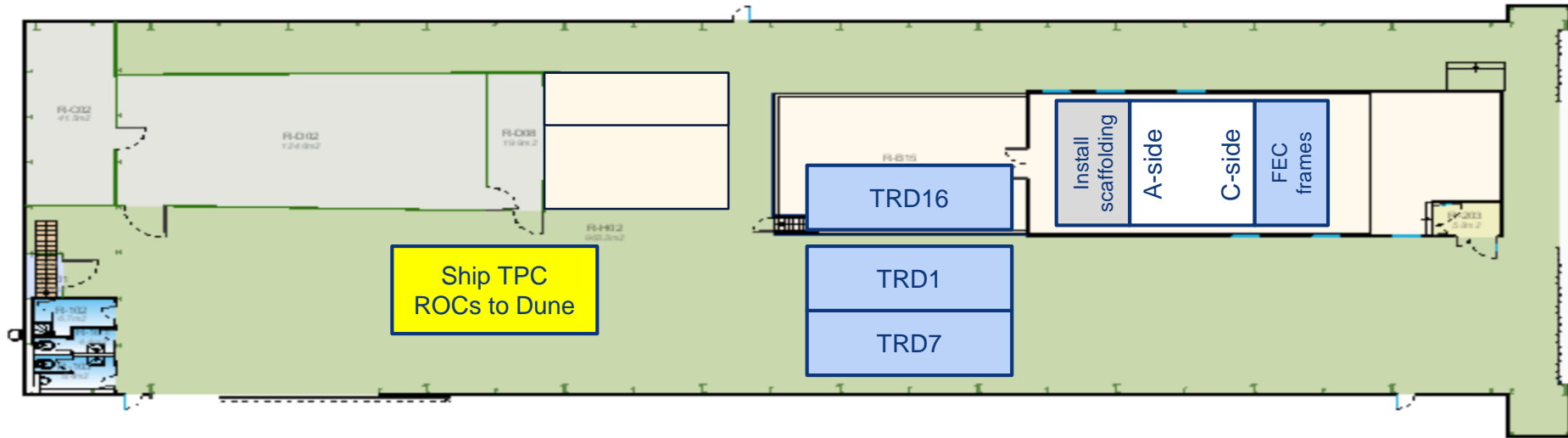
ALTEAD: bring TRD blocks to SX2

ALTEAD: remove transpallet from CR4



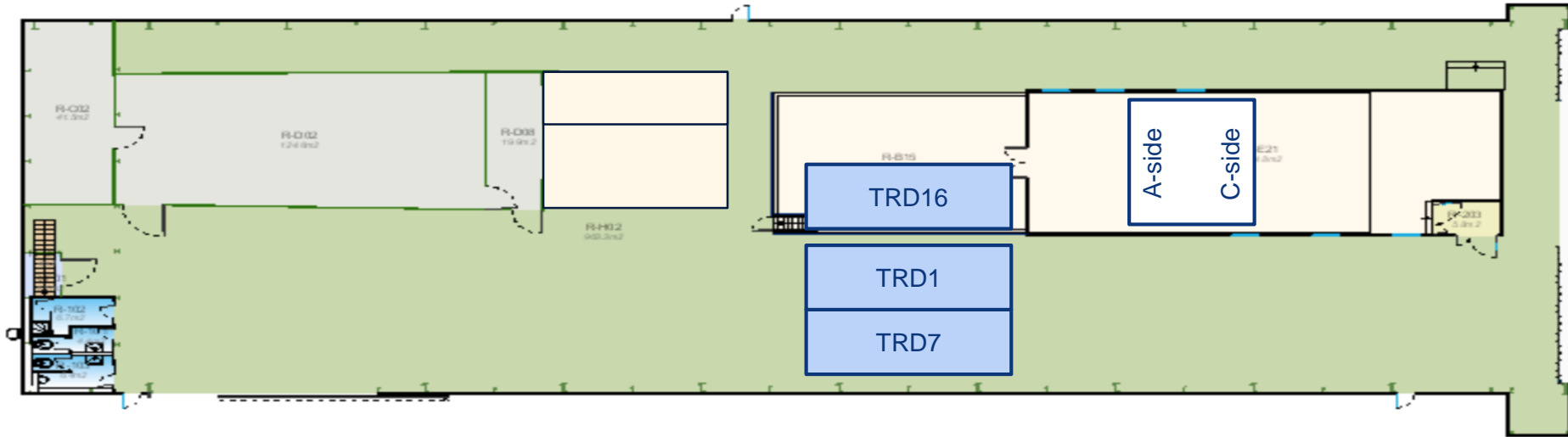
SXL2 activities w41 – Mon 7 Oct 2019

Install YP extension (Yannick, Samuel)



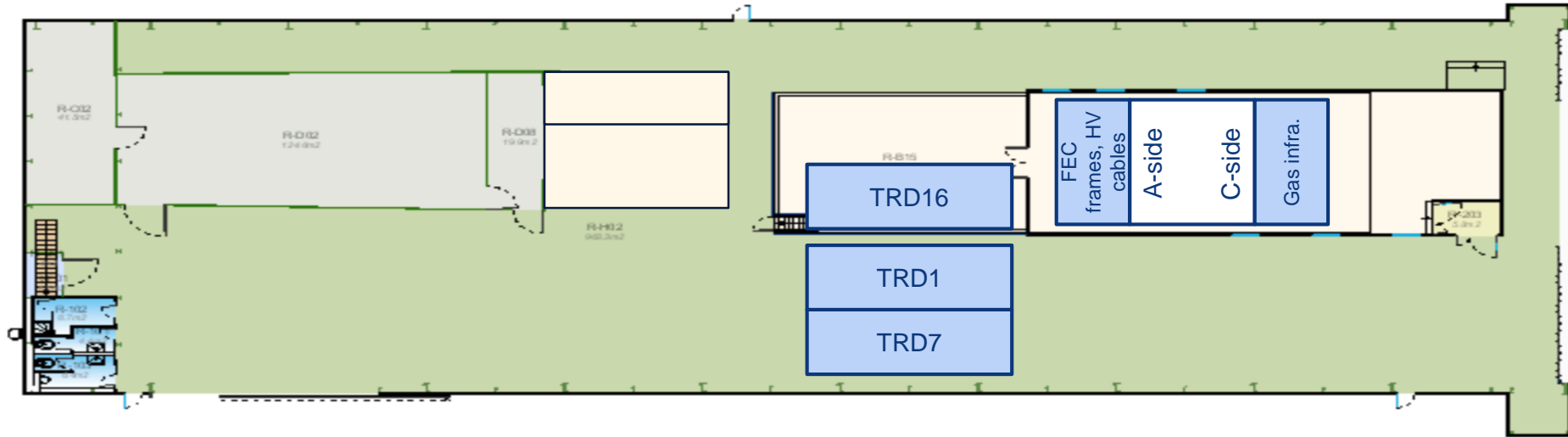
SXL2 activities w41 – Tue 8 Oct 2019

SXL2 cleanroom cleaning (Dosim)

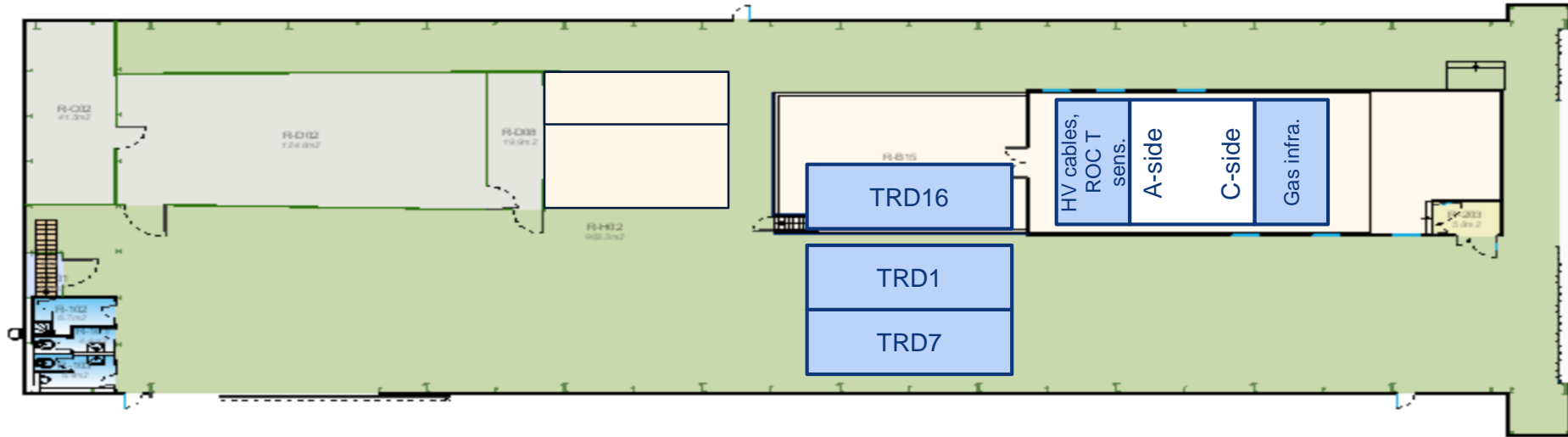


SXL2 activities w41 – Wed 9 Oct 2019

Alu-It: complete scaffolding (8:00 AM)



SXL2 activities w41 – Thu 10 Oct 2019

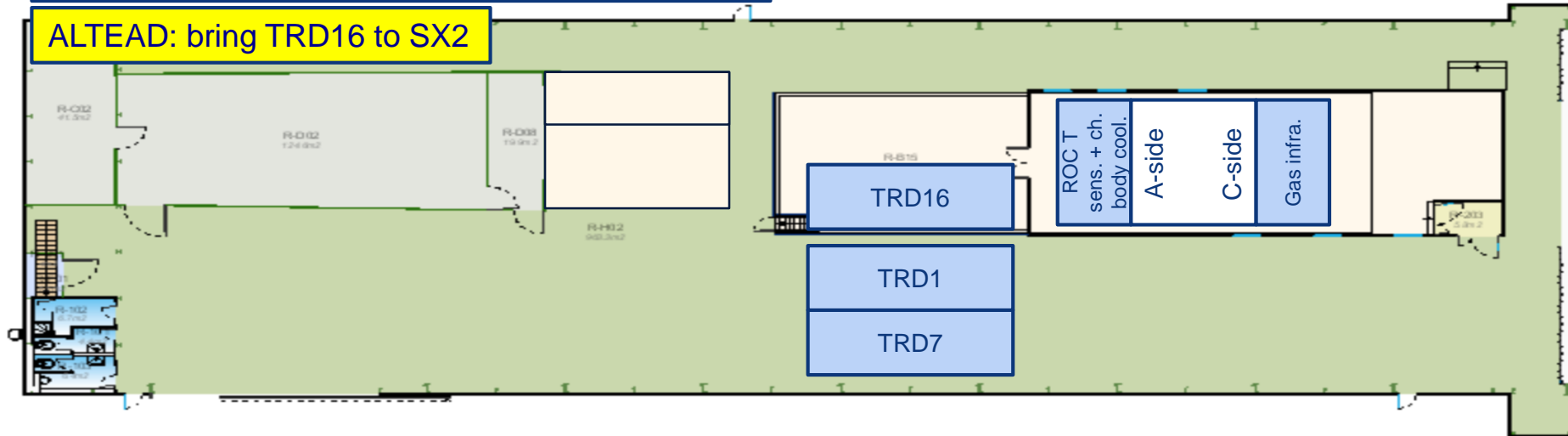


SXL2 activities w41 – Fri 11 Oct 2019

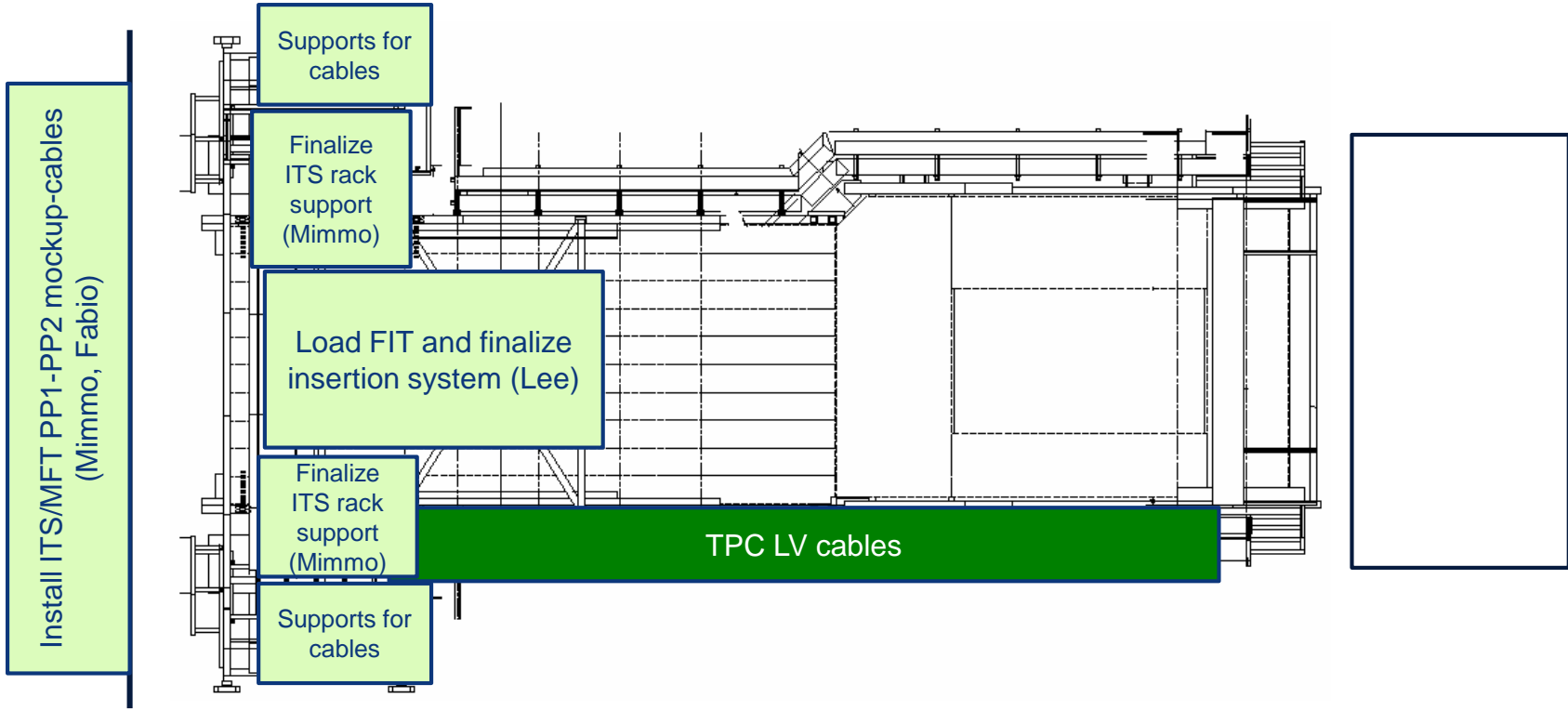
Pick-up SPD detector (ship to Italy) at 15:00

ALTEAD: help to load SPD onto Bari truck (15:00)

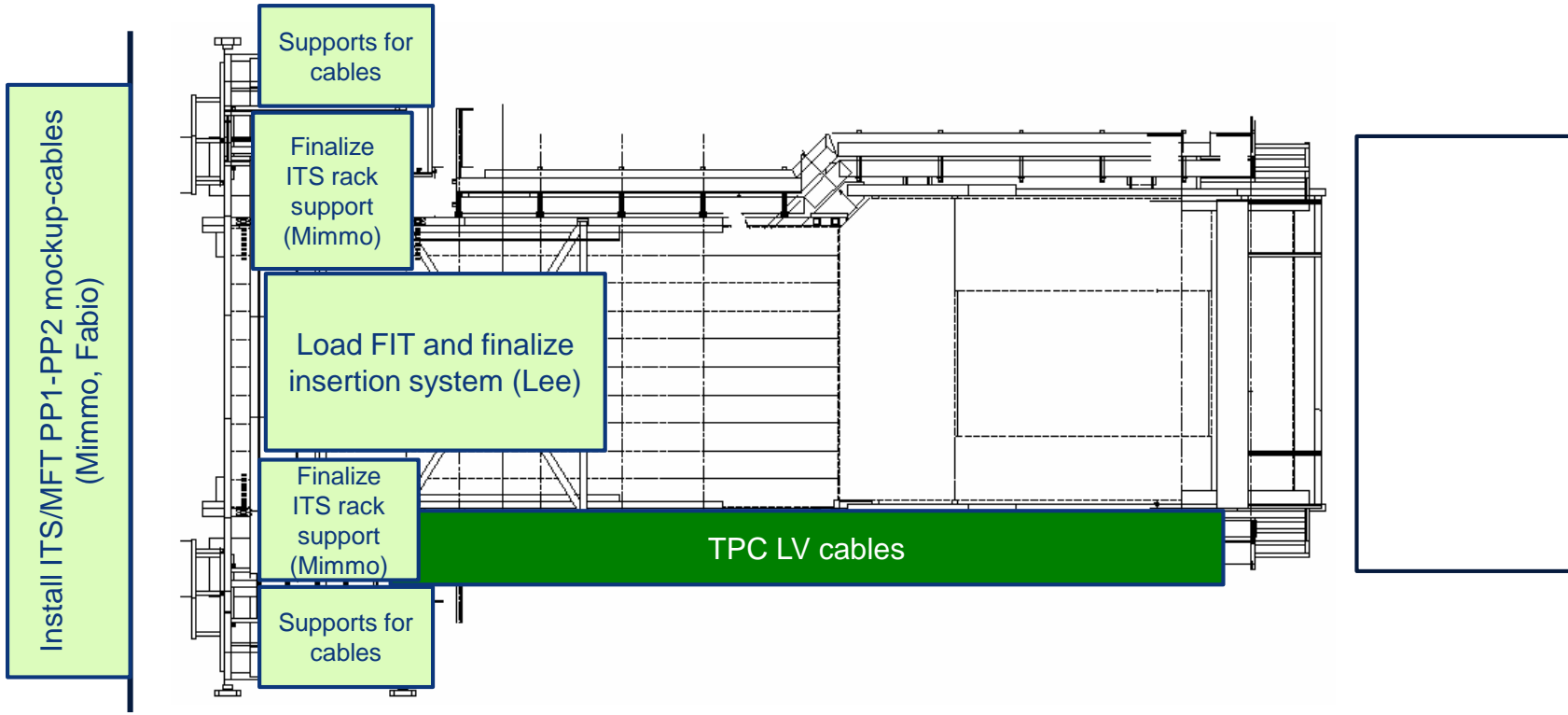
ALTEAD: bring TRD16 to SX2



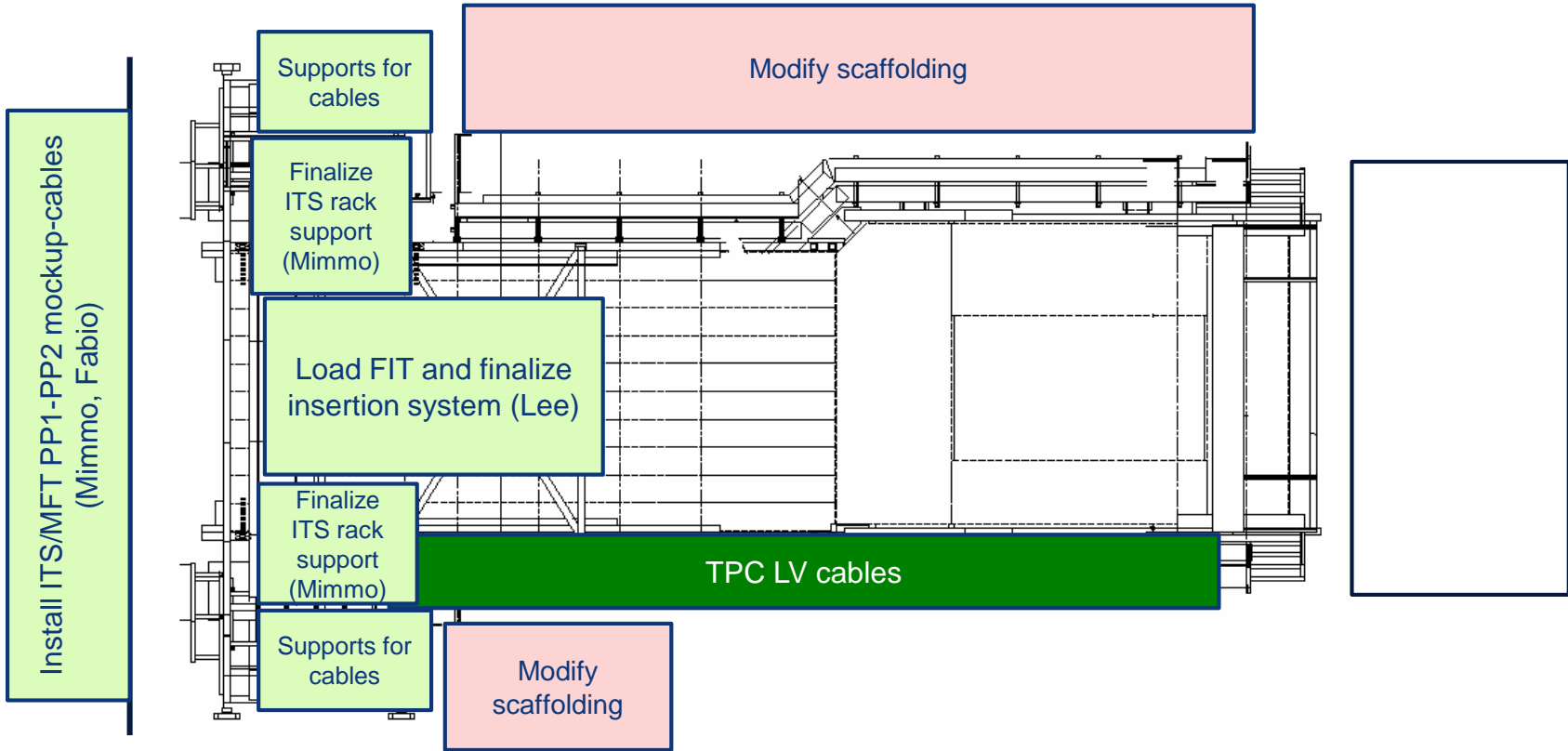
Miniframe activities w41 – Mon 7 Oct 2019



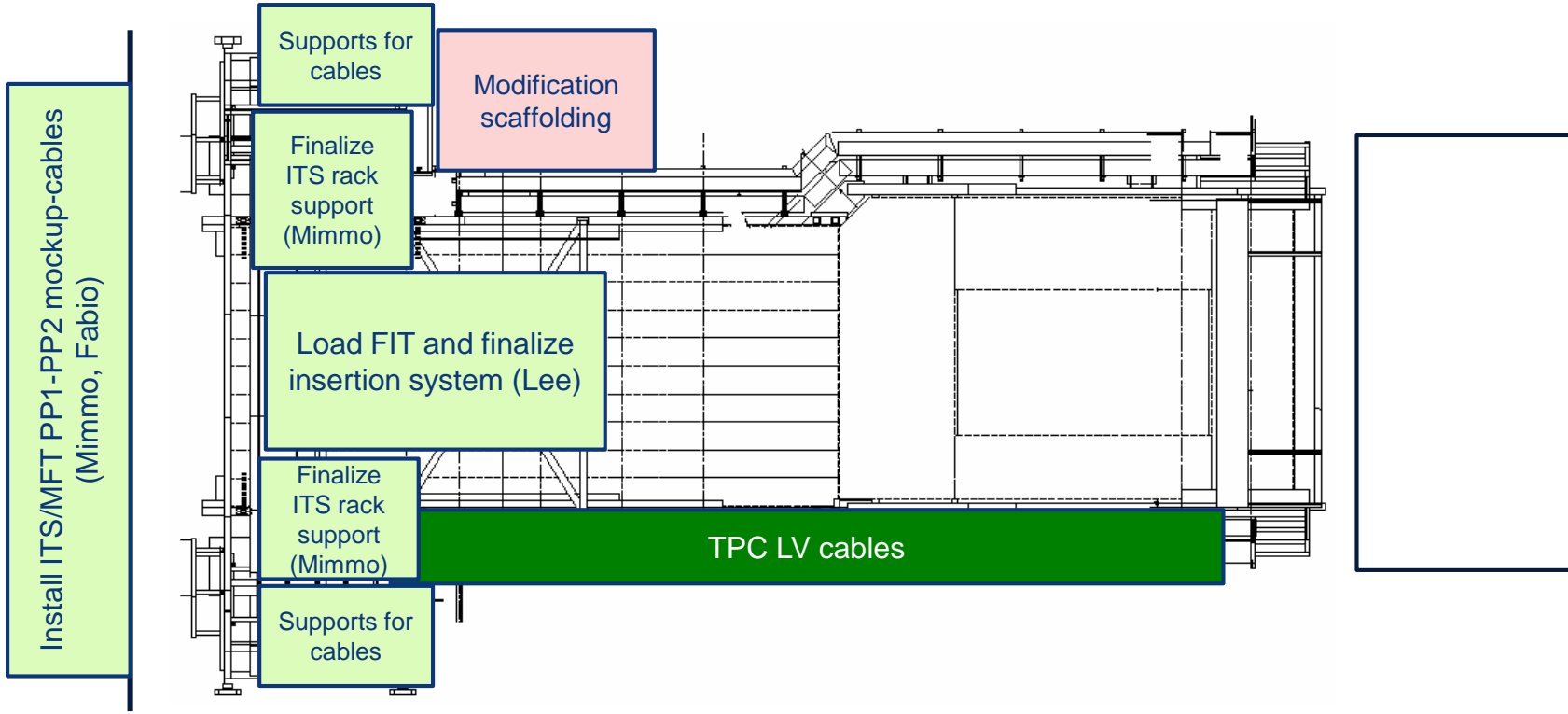
Miniframe activities w41 – Tue 8 Oct 2019



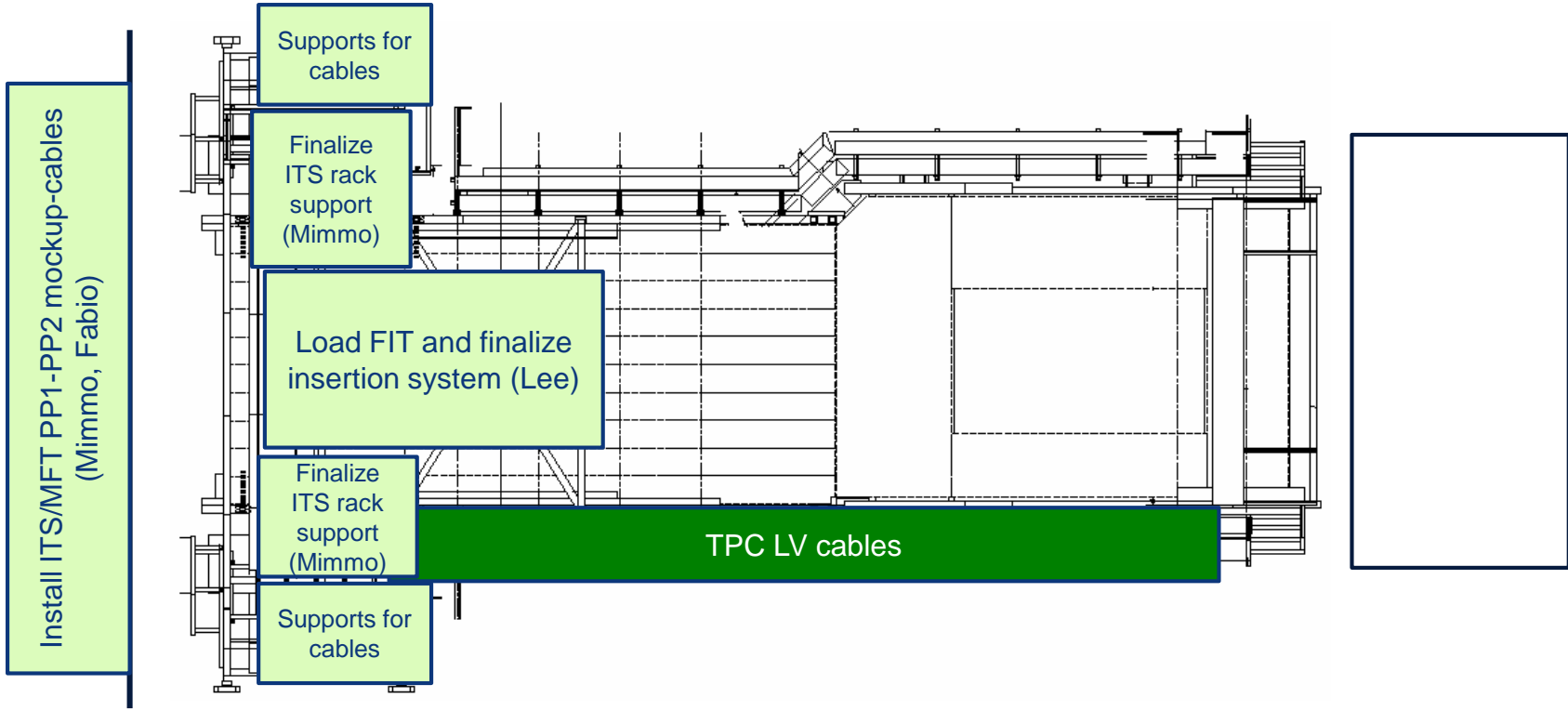
Miniframe activities w41 – Wed 9 Oct 2019



Miniframe activities w41 – Thu 10 Oct 2019



Miniframe activities w41 – Fri 11 Oct 2019

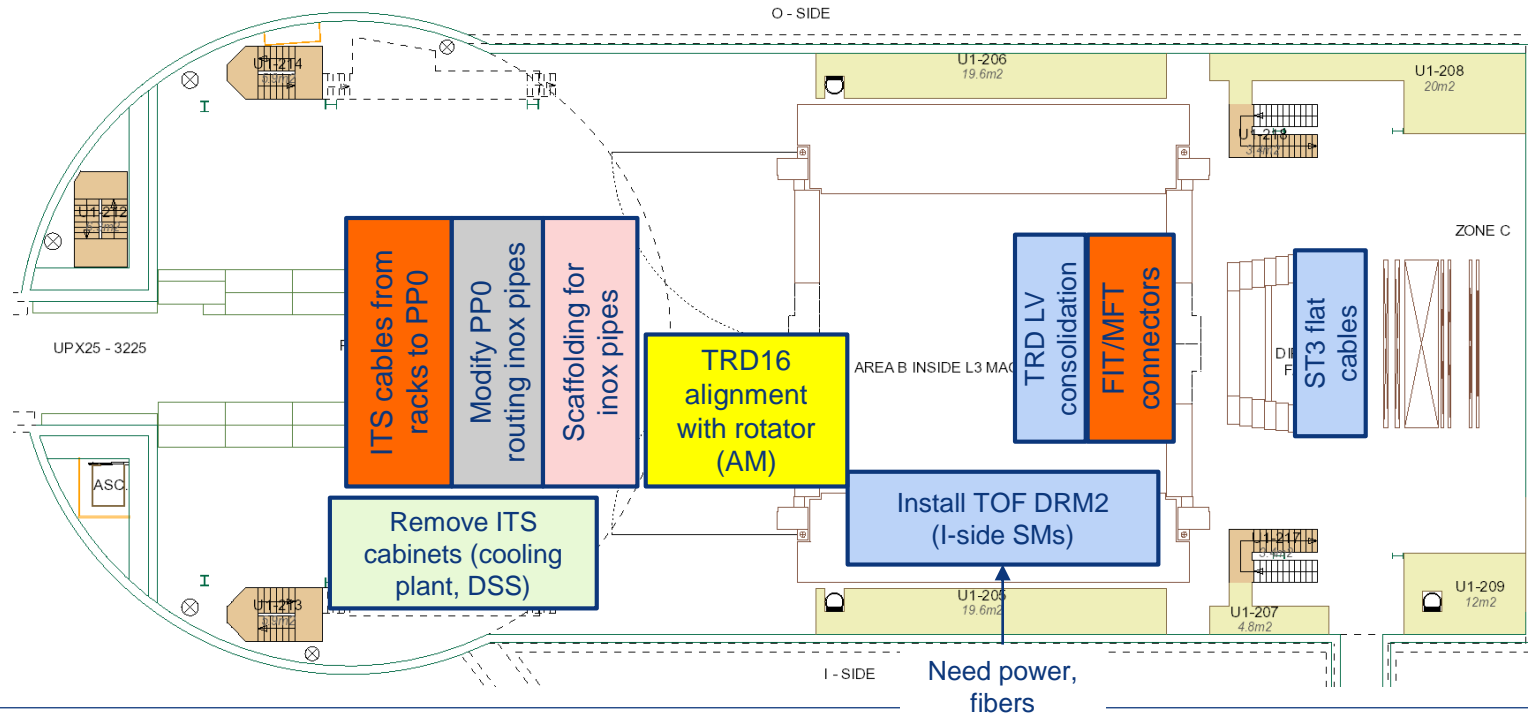


Day-by-day sequence w42



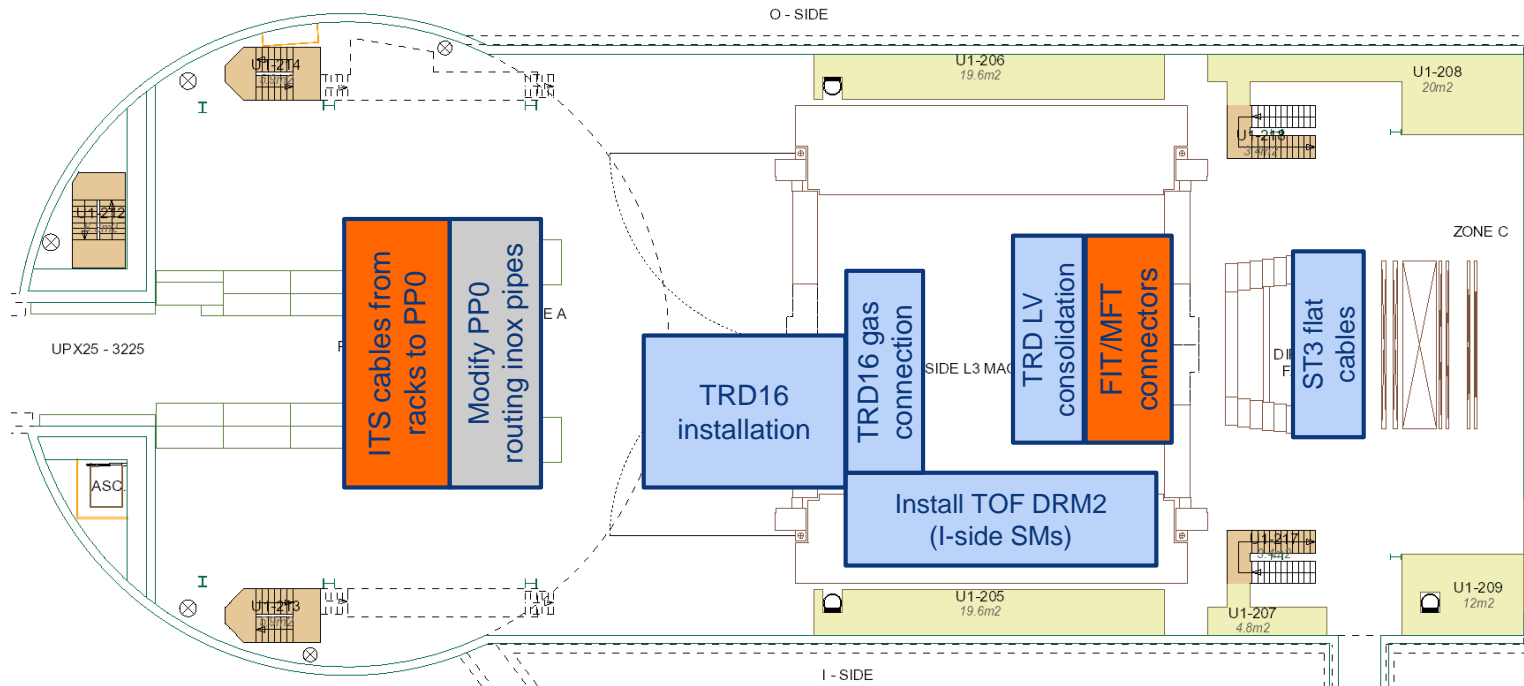
UX25 activities w42 – Mon 14 Oct 2019

ALTEAD + TRD: insert TRD16 into rotator (PM)



UX25 activities w42 – Tue 15 Oct 2019

ALTEAD+P2tech: integration test PHOS and CPV in SXL2

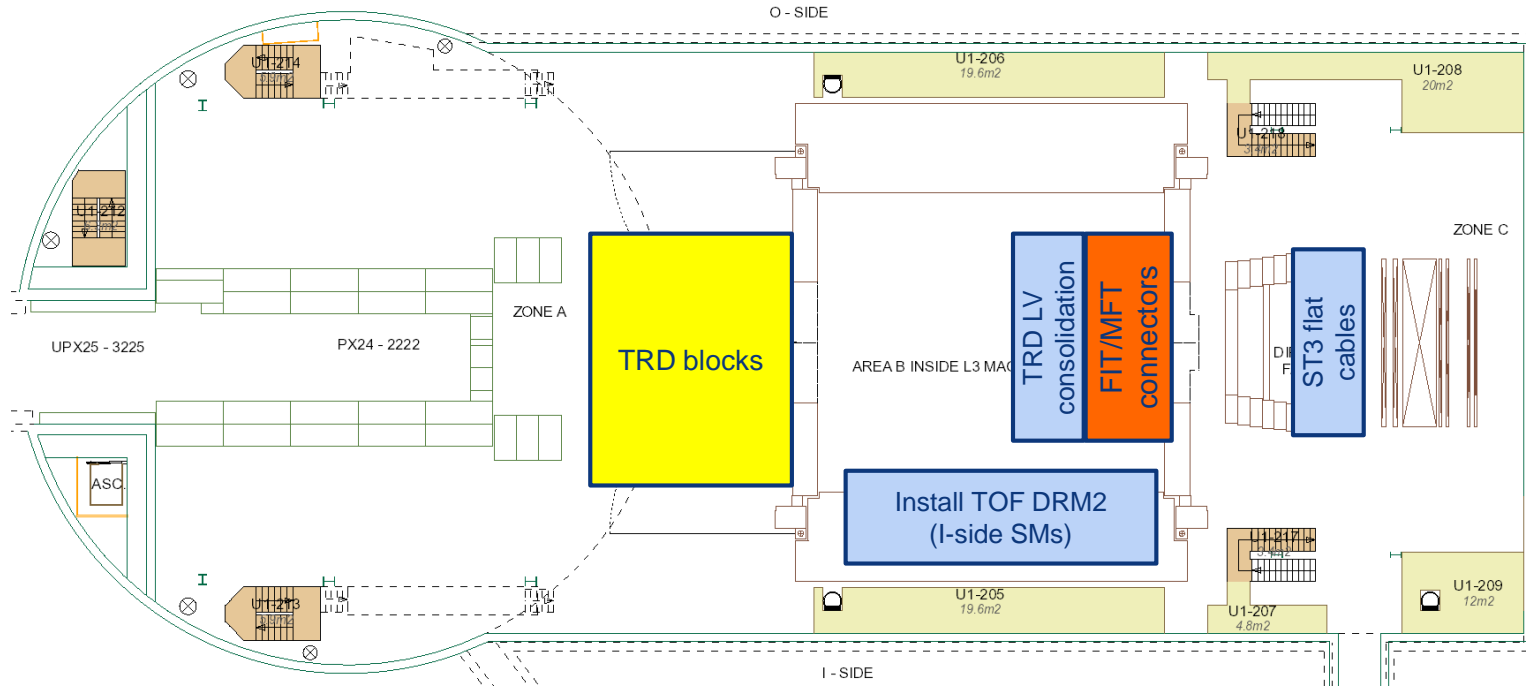


UX25 activities w42 – Wed 16 Oct 2019

No access A-side: installation of TRD blocks

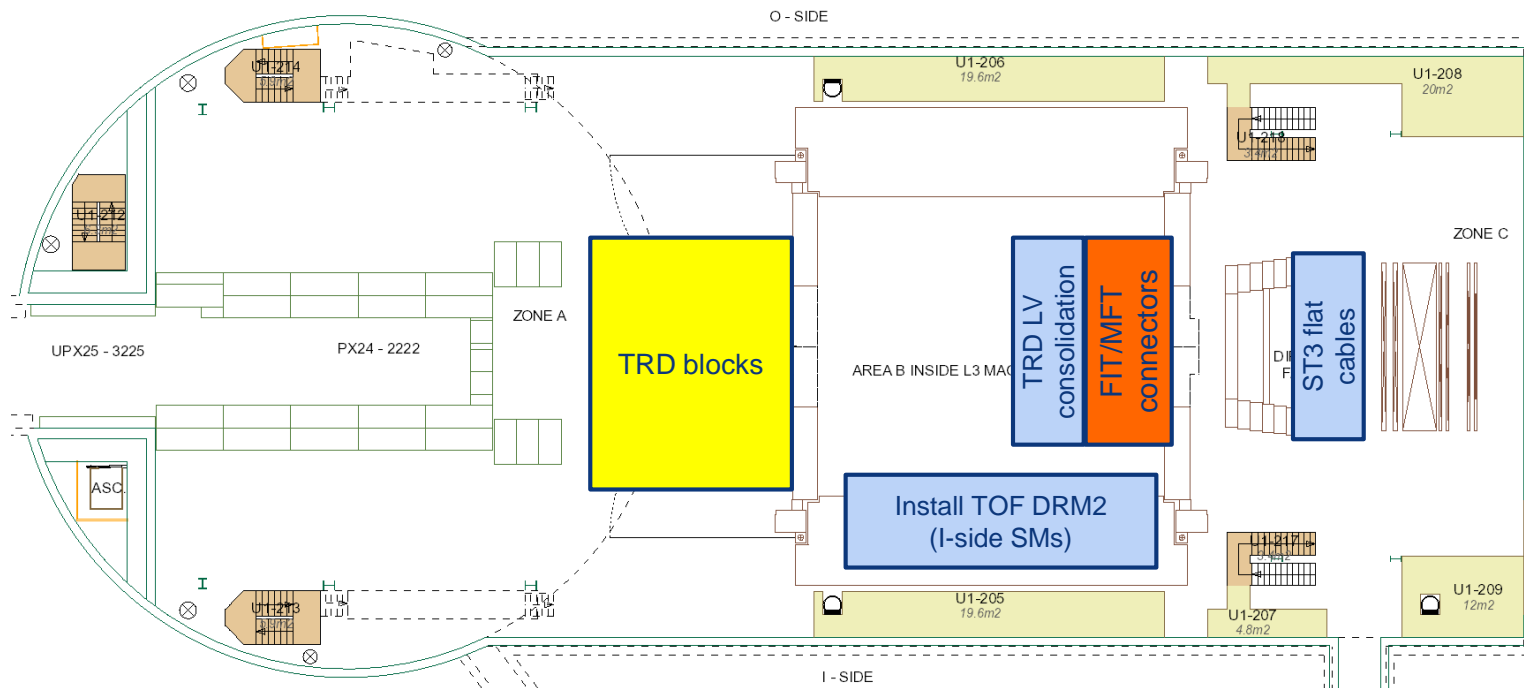
Visit 12:30 to 13:30

ALTEAD: bring TPC FECs to swimming pool at 9:00



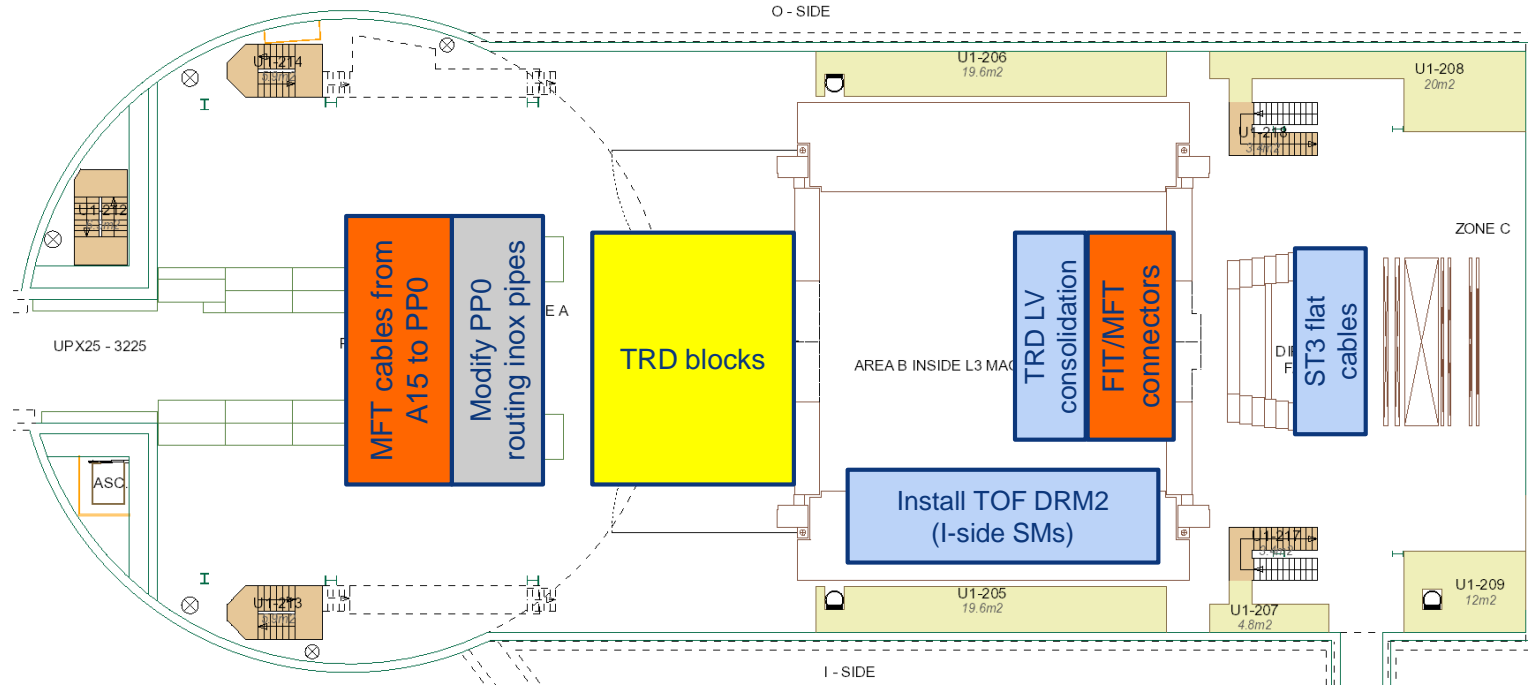
UX25 activities w42 – Thu 17 Oct 2019

No access A-side: installation of TRD blocks

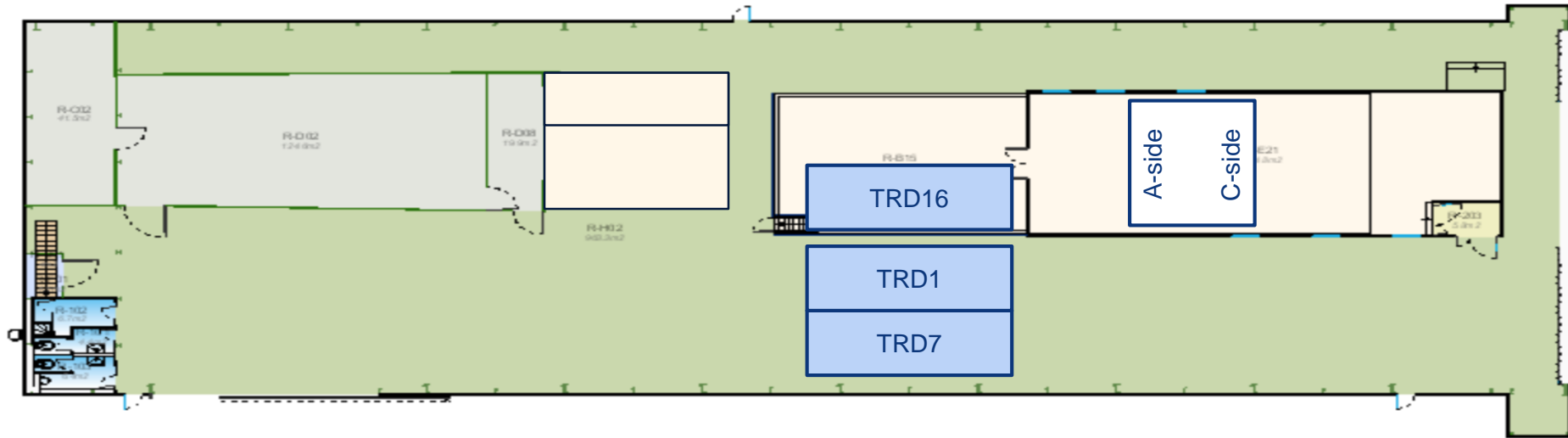


UX25 activities w42 – Fri 18 Oct 2019

Maintenance SX2 crane

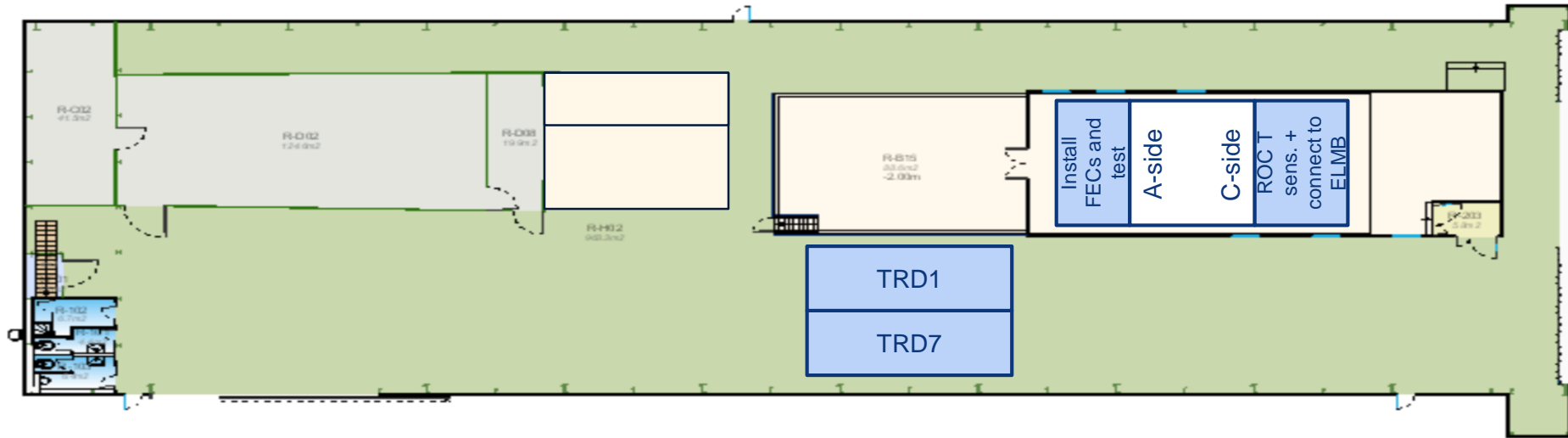


SXL2 activities w42 – Mon 14 Oct 2019

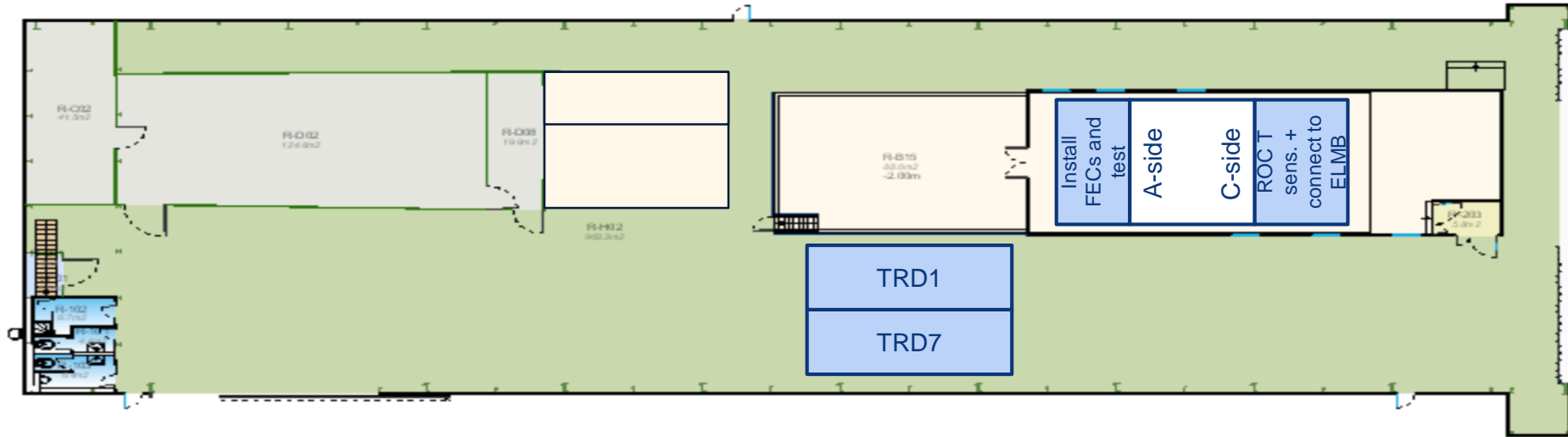


SXL2 activities w42 – Tue 15 Oct 2019

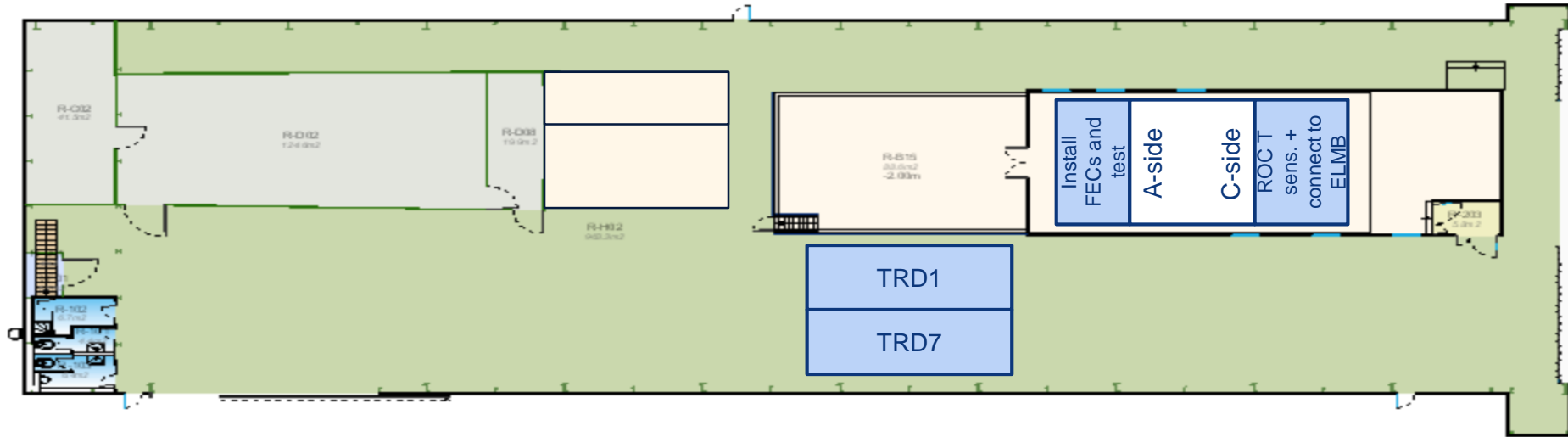
Fill TPC with gas mixture (Ne-CO2-N2)



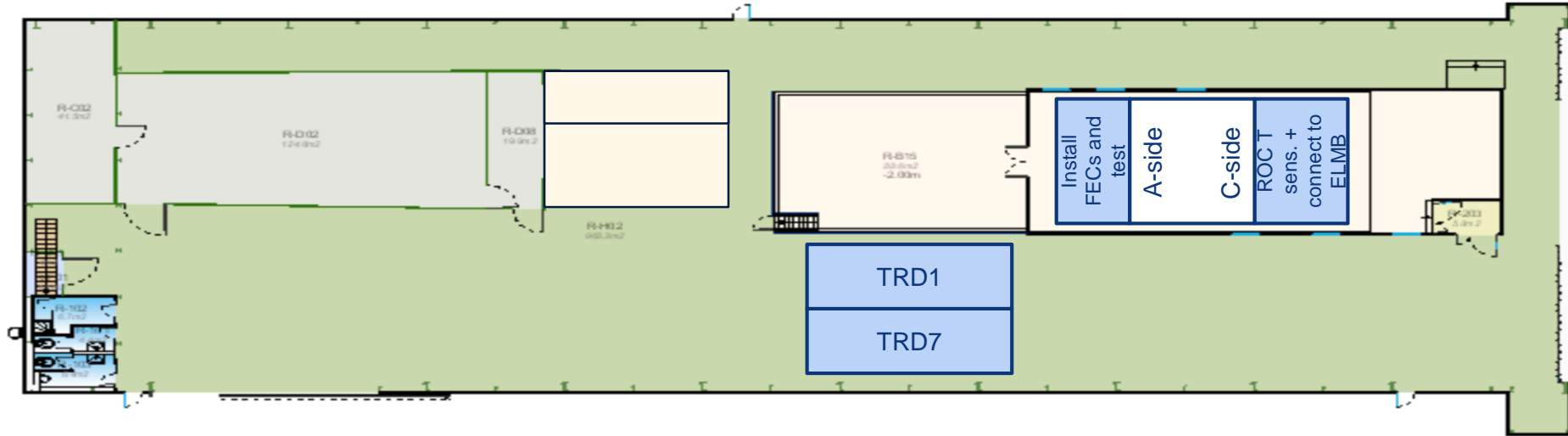
SXL2 activities w42 – Wed 16 Oct 2019



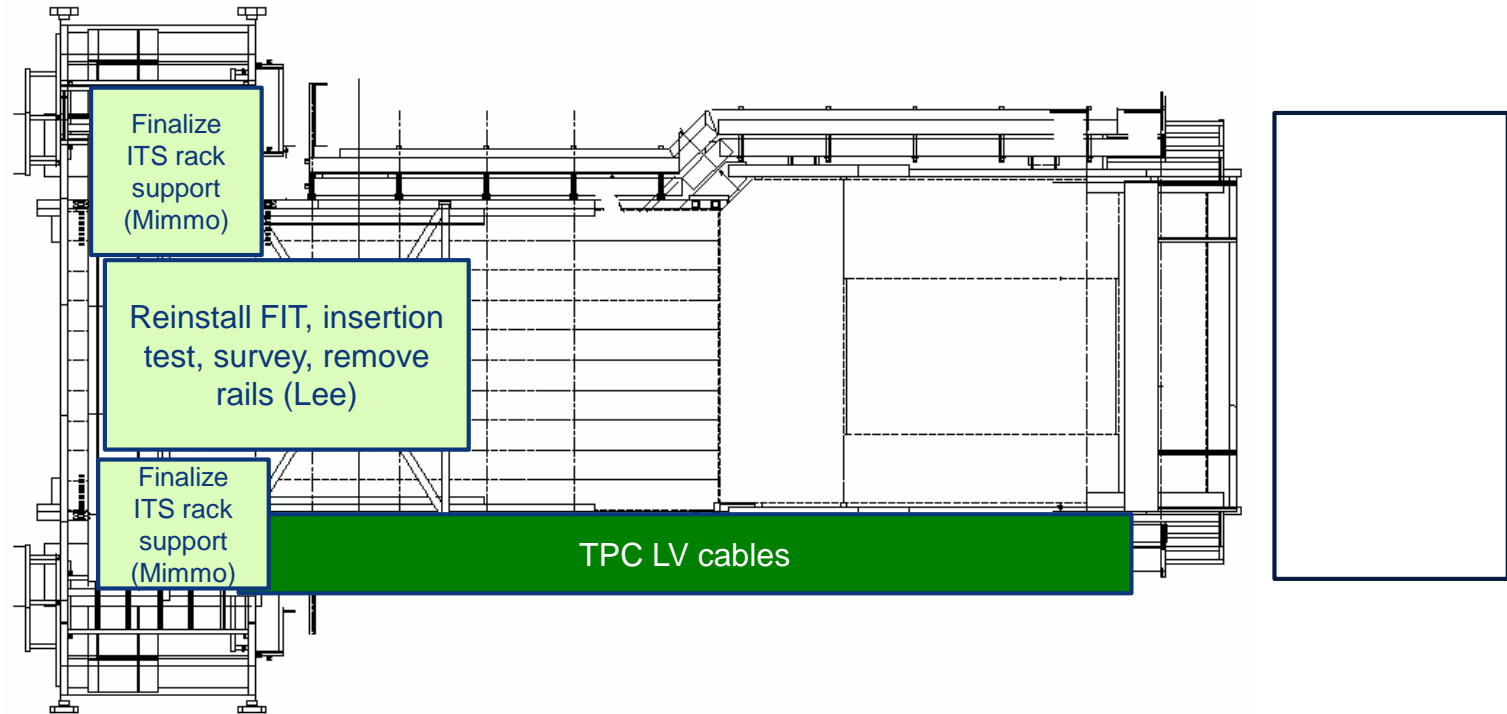
SXL2 activities w42 – Thu 17 Oct 2019



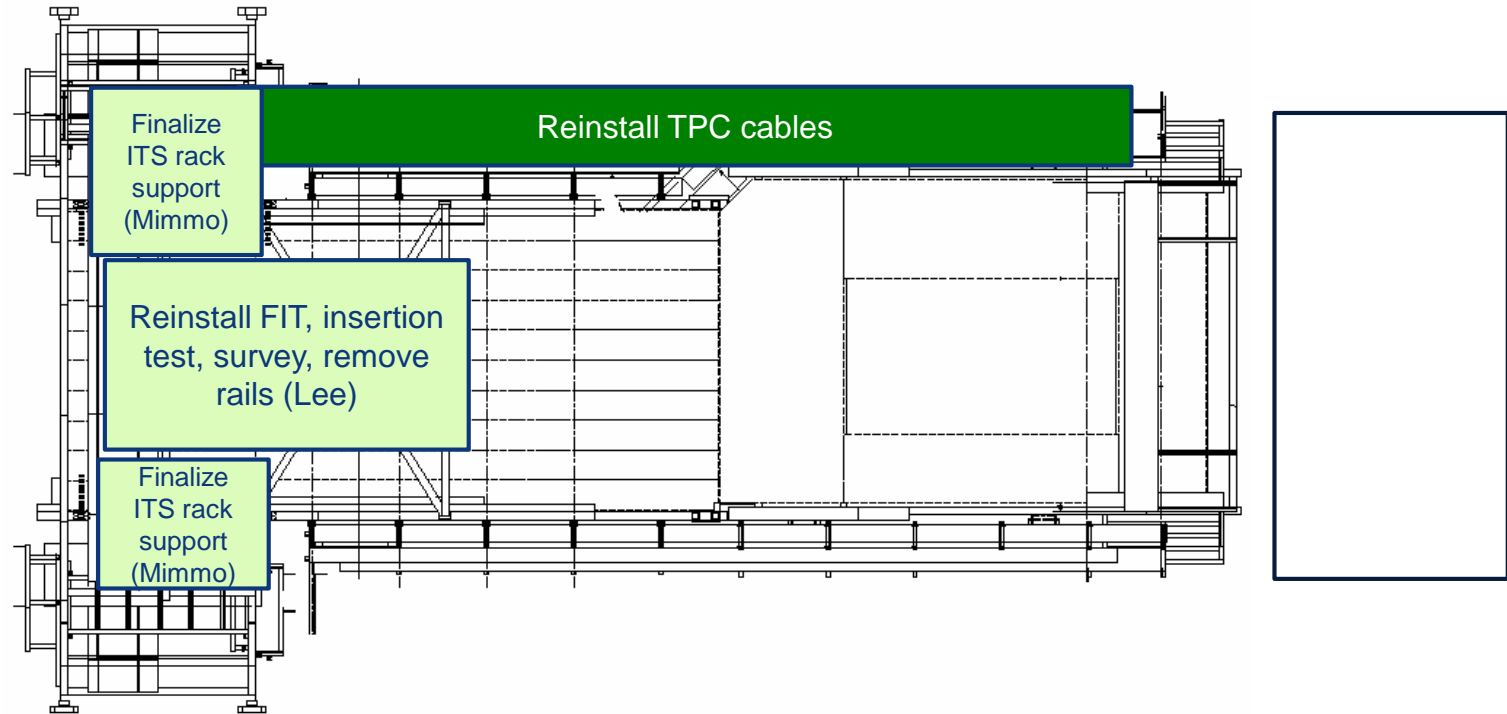
SXL2 activities w42 – Fri 18 Oct 2019



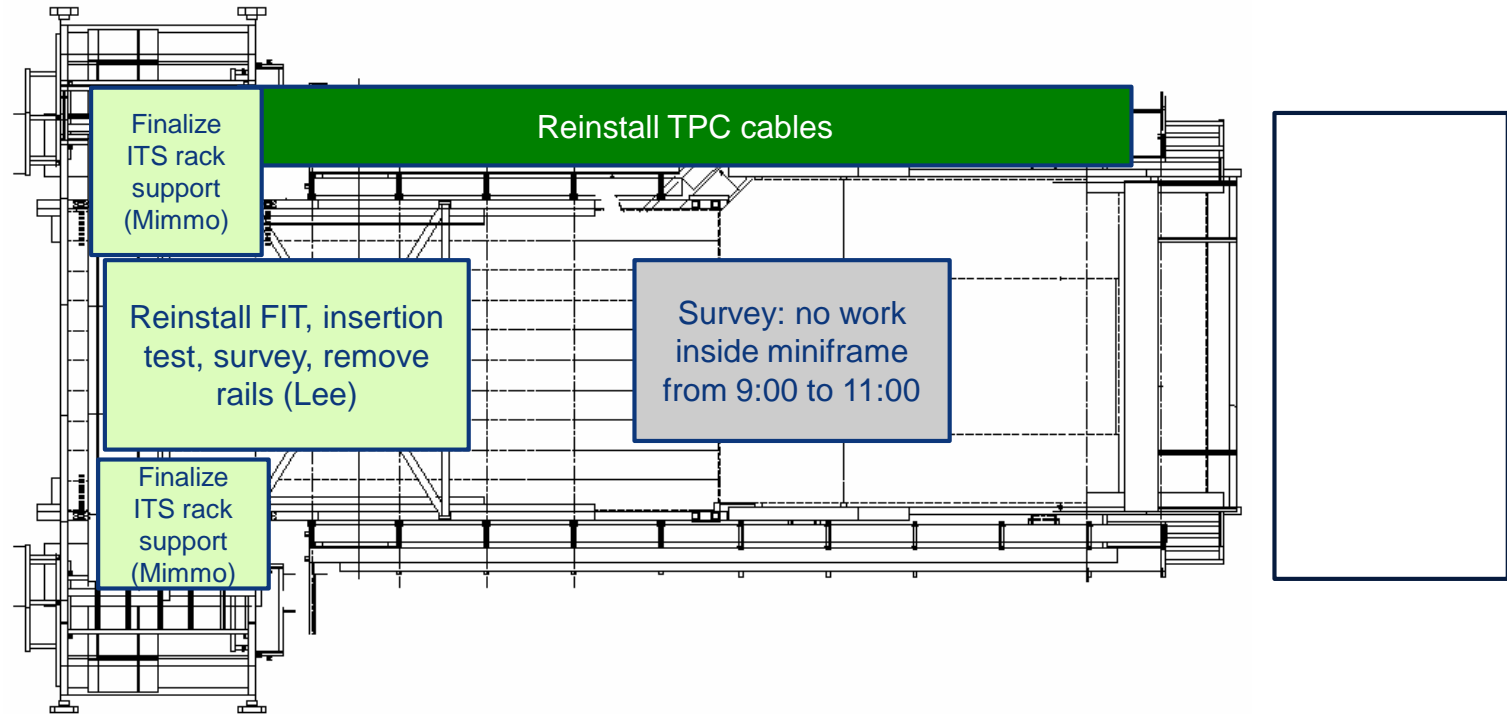
Miniframe activities w42 – Mon 14 Oct 2019



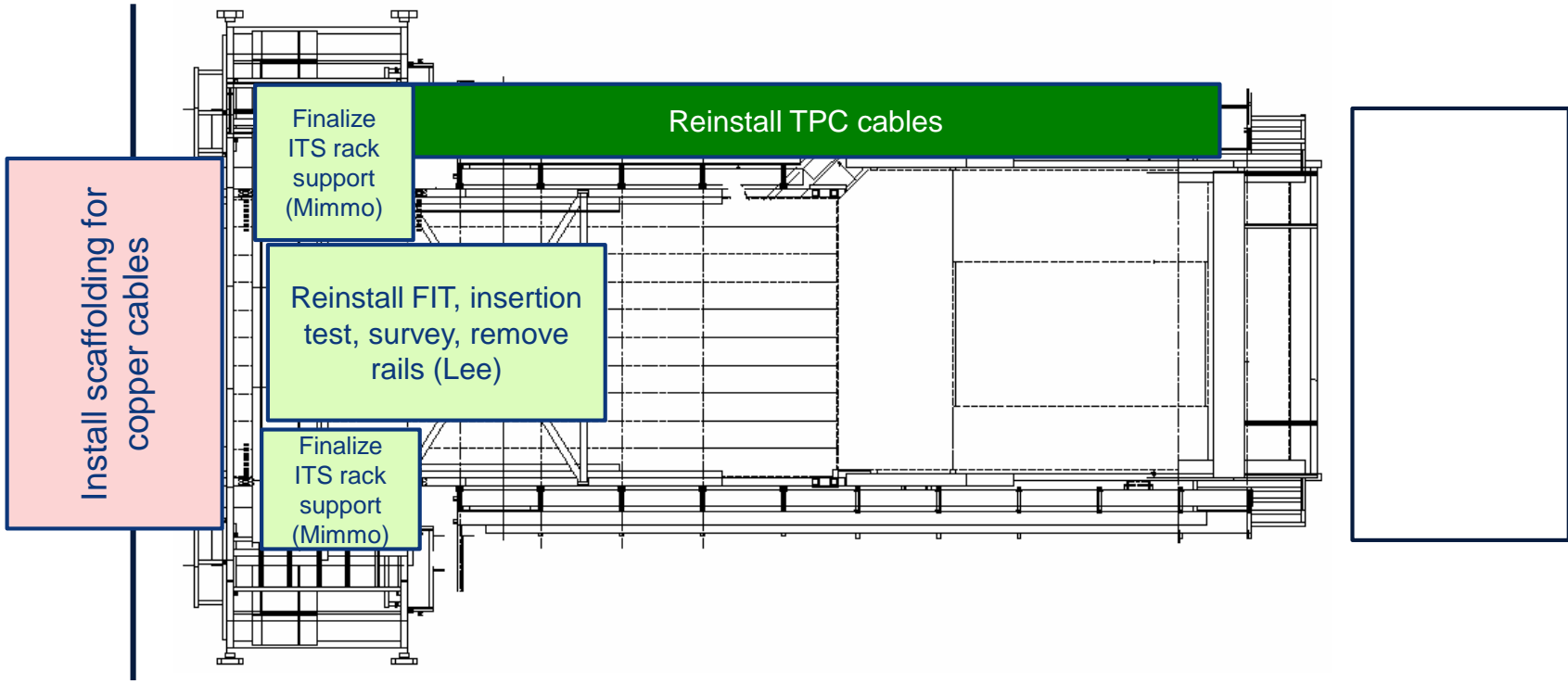
Miniframe activities w42 – Tue 15 Oct 2019



Miniframe activities w42 – Wed 16 Oct 2019



Miniframe activities w42 – Thu 17 Oct 2019



Miniframe activities w42 – Fri 18 Oct 2019

Install scaffolding for
copper cables

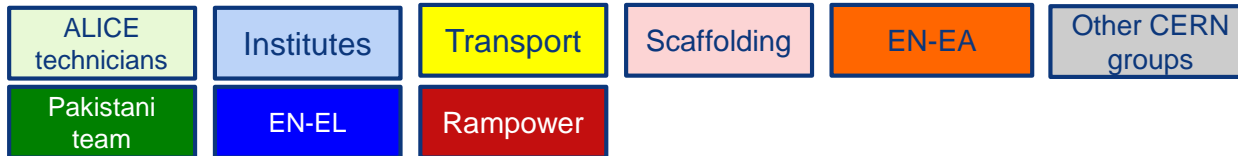
Finalize
ITS rack
support
(Mimmo)

Reinstall TPC cables

Reinstall FIT, insertion
test, survey, remove
rails (Lee)

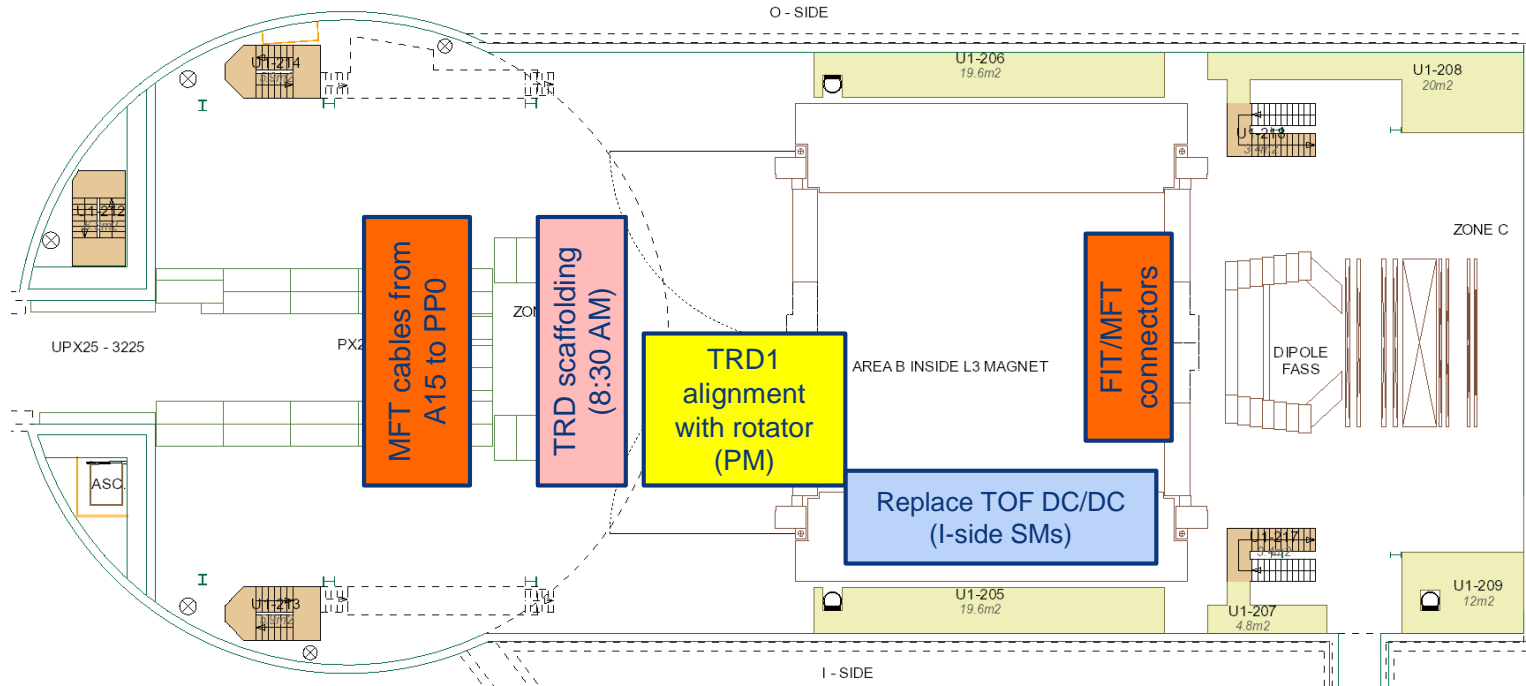
Finalize
ITS rack
support
(Mimmo)

Day-by-day sequence w43

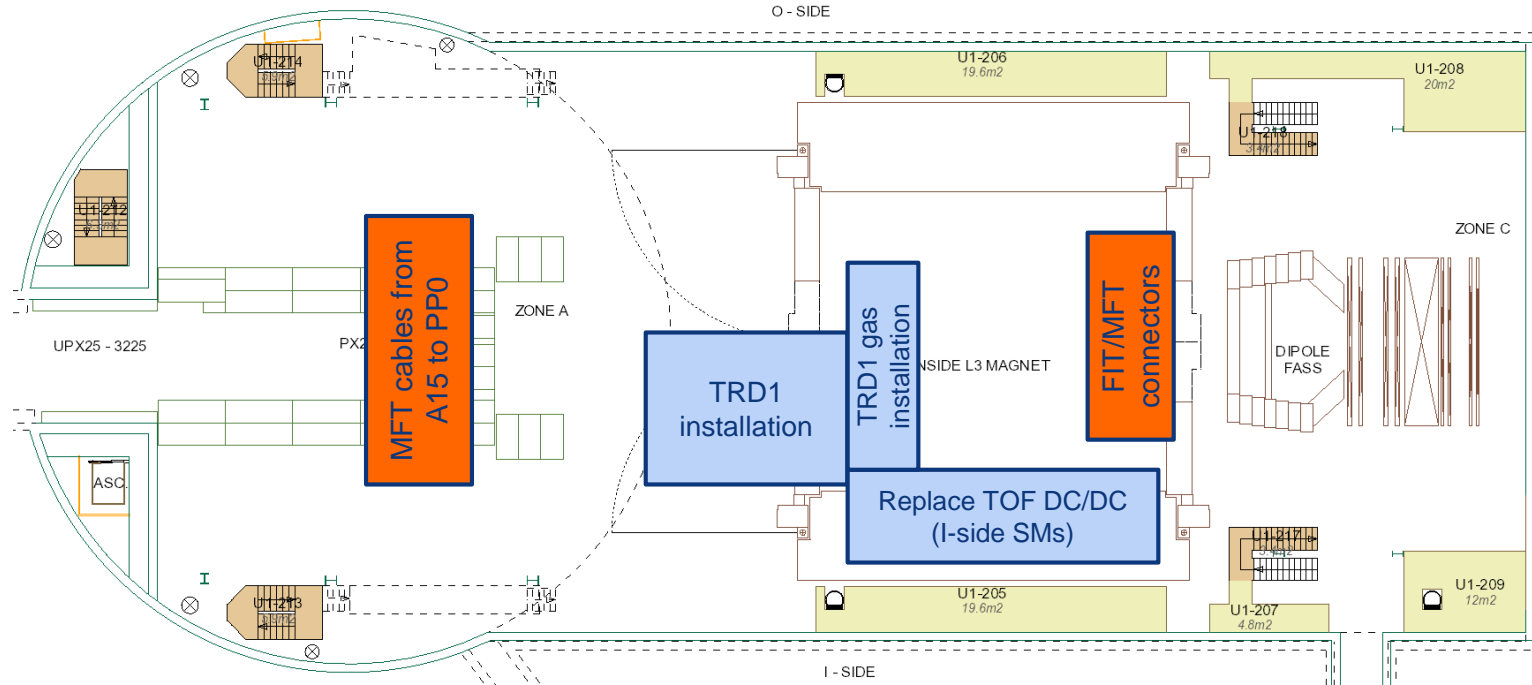


UX25 activities w43 – Mon 21 Oct 2019

ALTEAD+TRD: bring TRD1 to SX2 and insert it into rotator (PM)

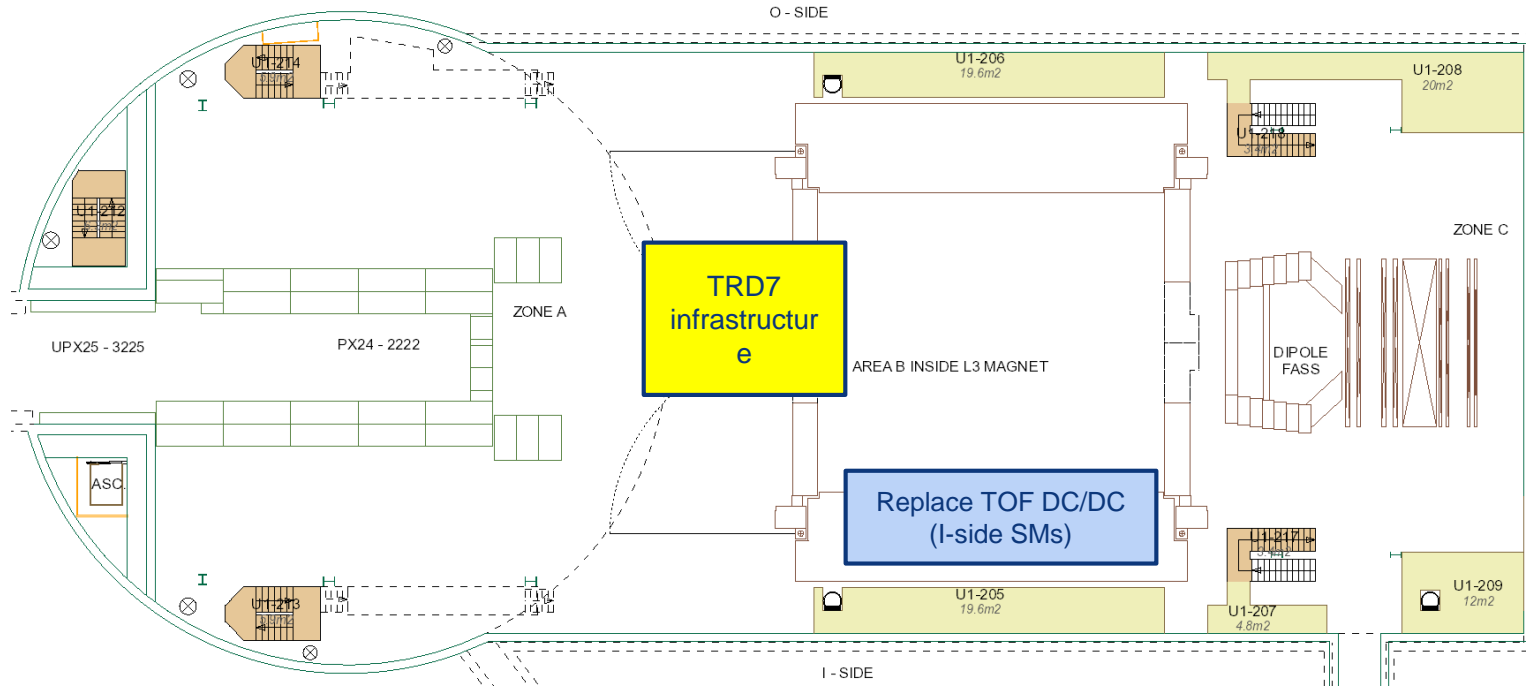


UX25 activities w43 – Tue 22 Oct 2019

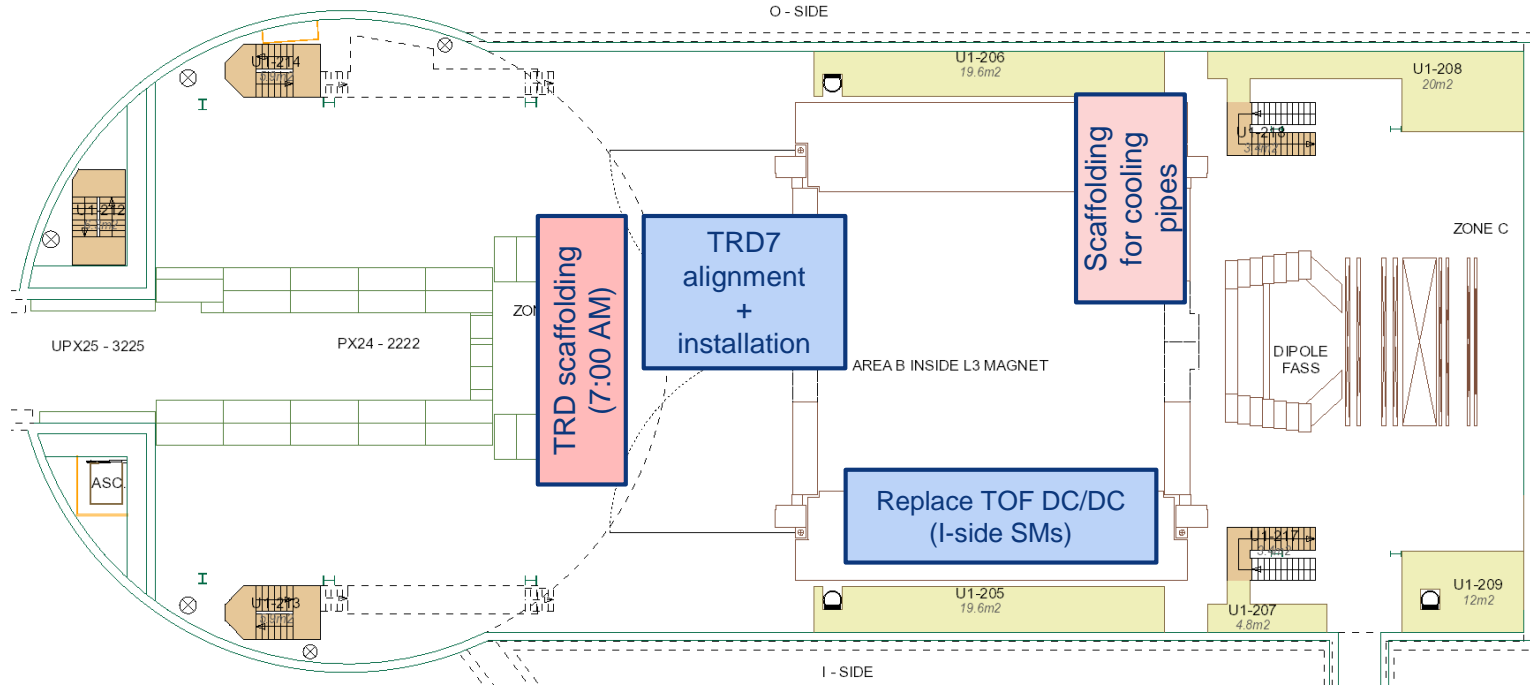


UX25 activities w43 – Wed 23 Oct 2019

Bring up TRD7 platform and inverse access (1→7)



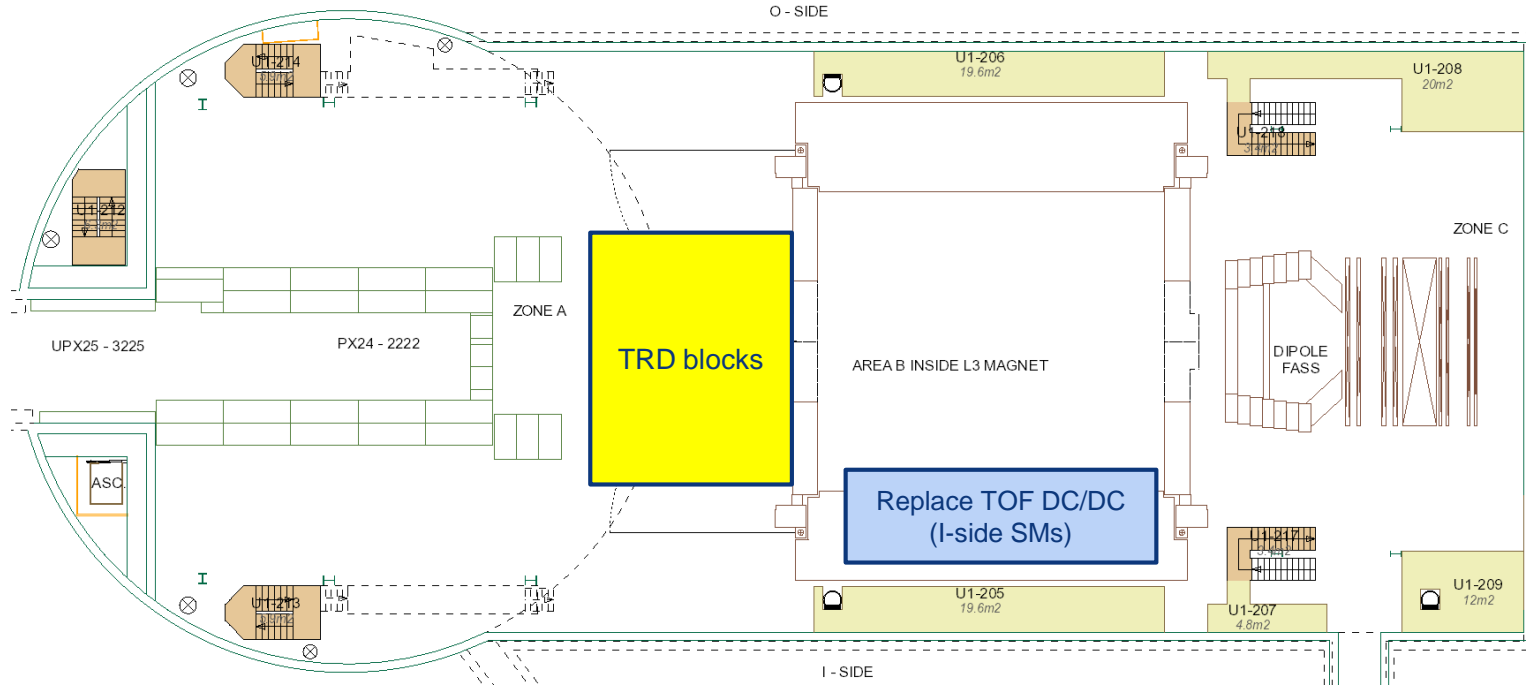
UX25 activities w43 – Thu 24 Oct 2019



UX25 activities w43 – Fri 25 Oct 2019

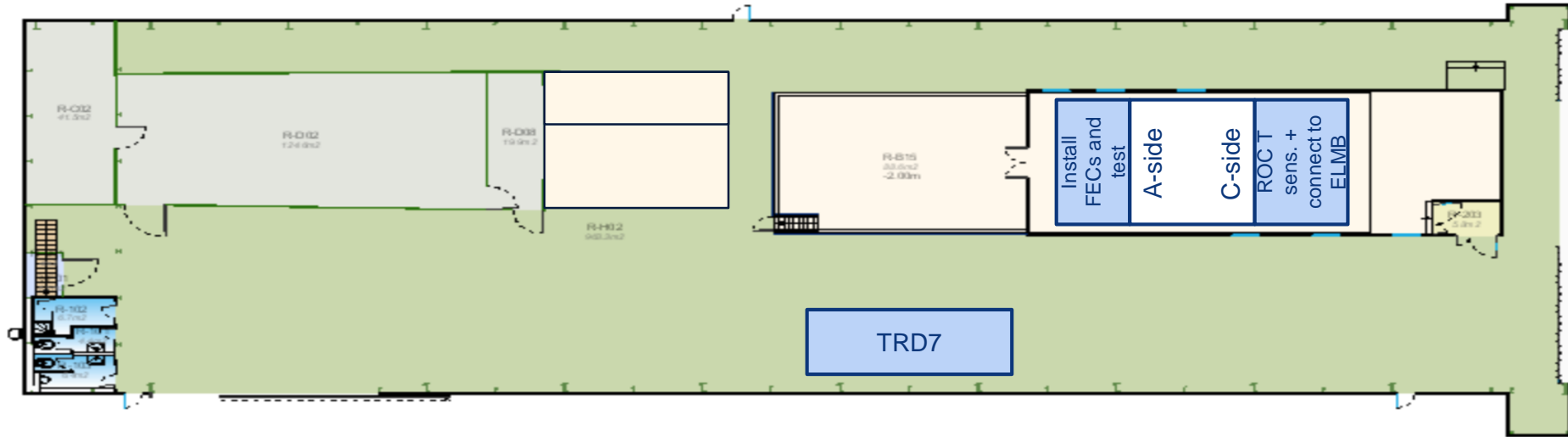
No access A-side: removal TRD blocks

Visit 12:30 to 13:30

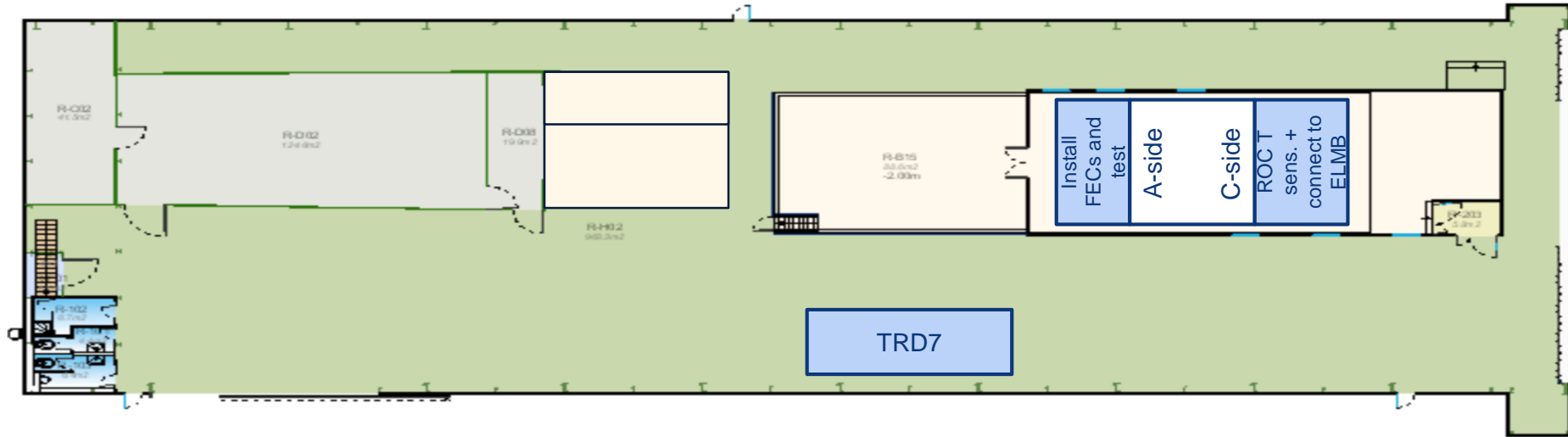


SXL2 activities w43 – Mon 21 Oct 2019

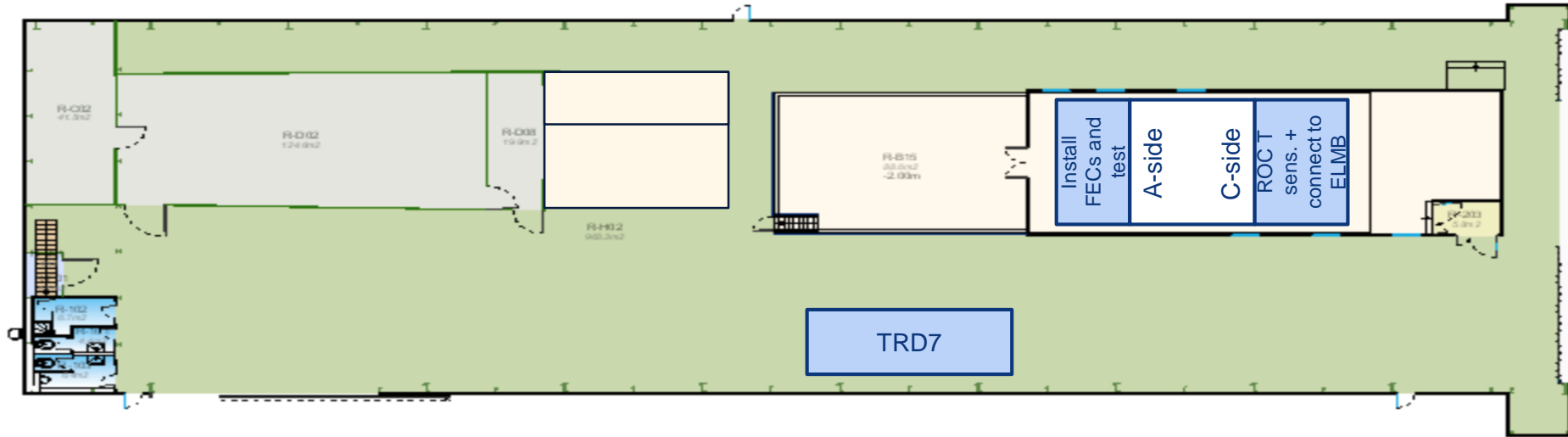
Fill TPC with gas mixture (Ne-CO2-N2)



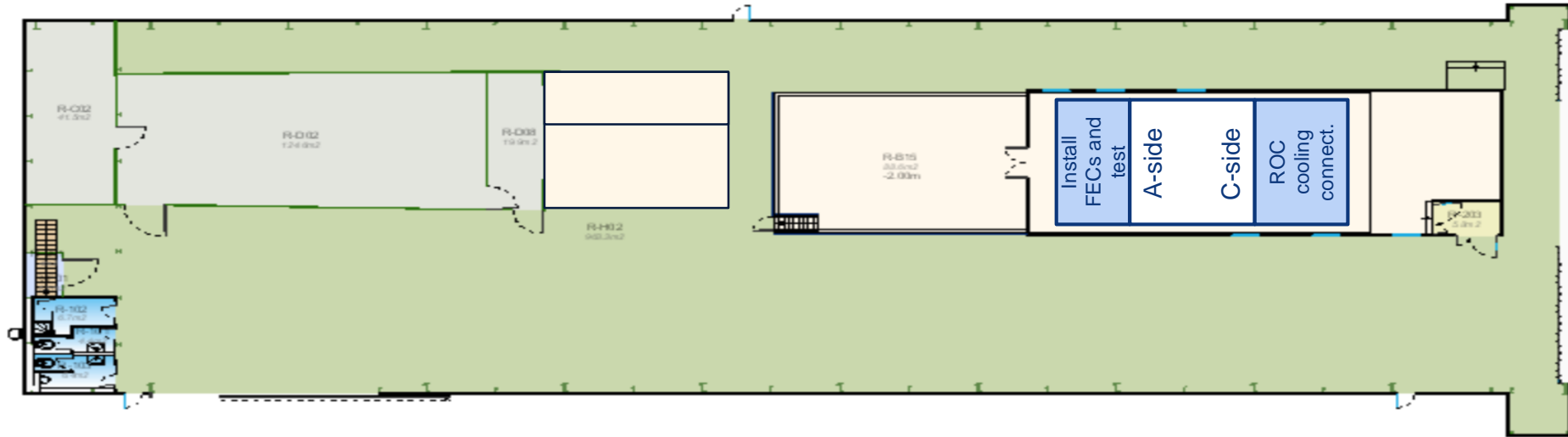
SXL2 activities w43 – Tue 22 Oct 2019



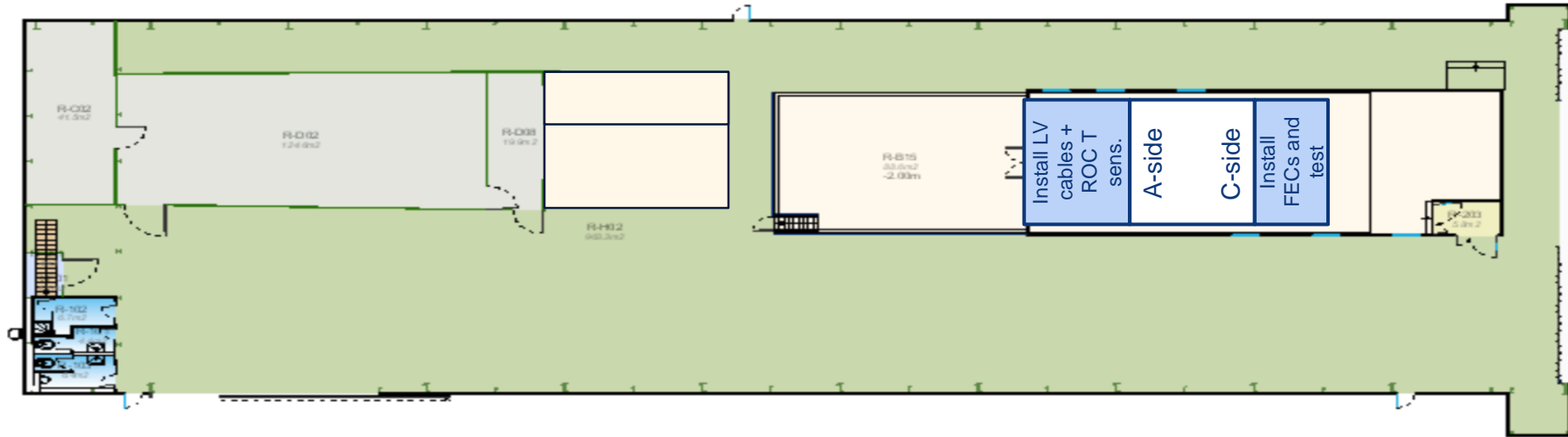
SXL2 activities w43 – Wed 23 Oct 2019

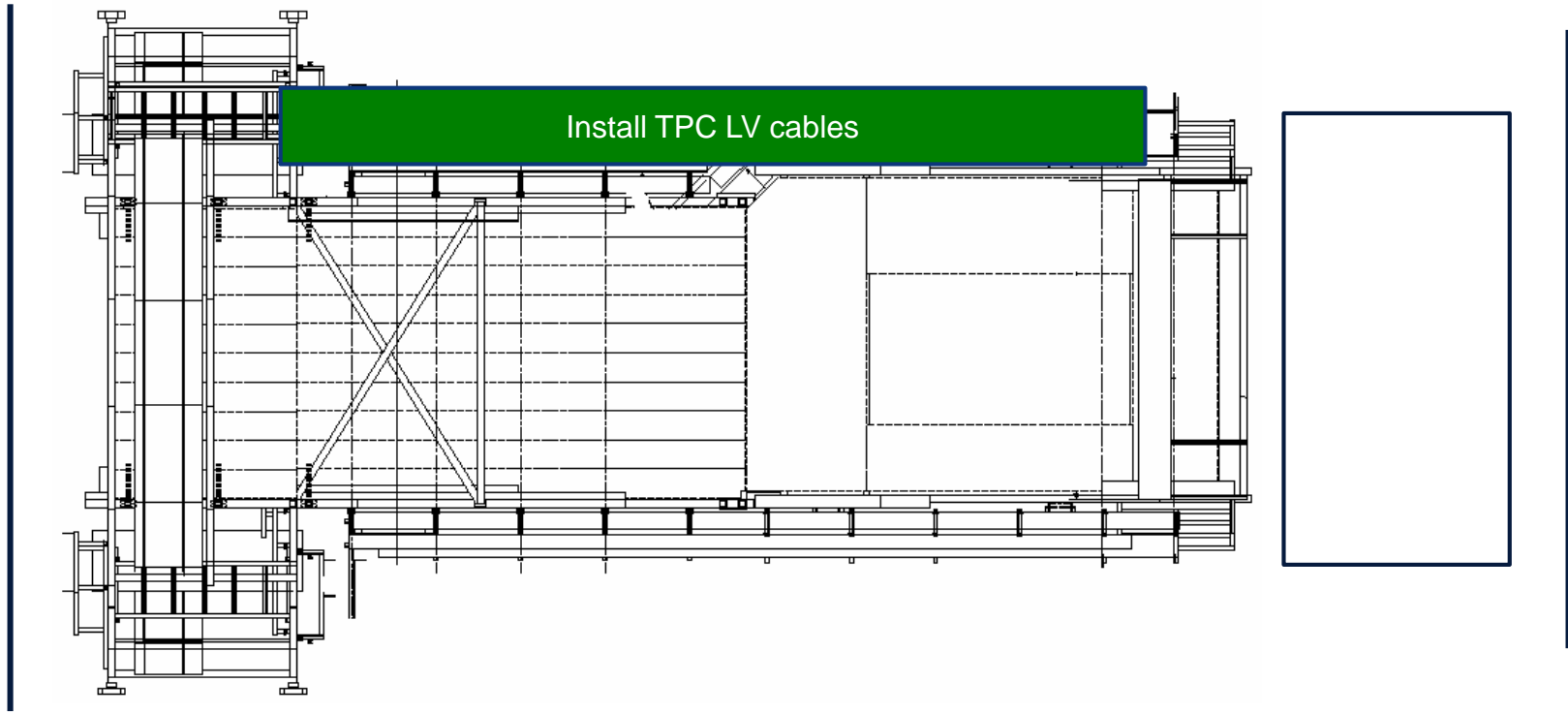


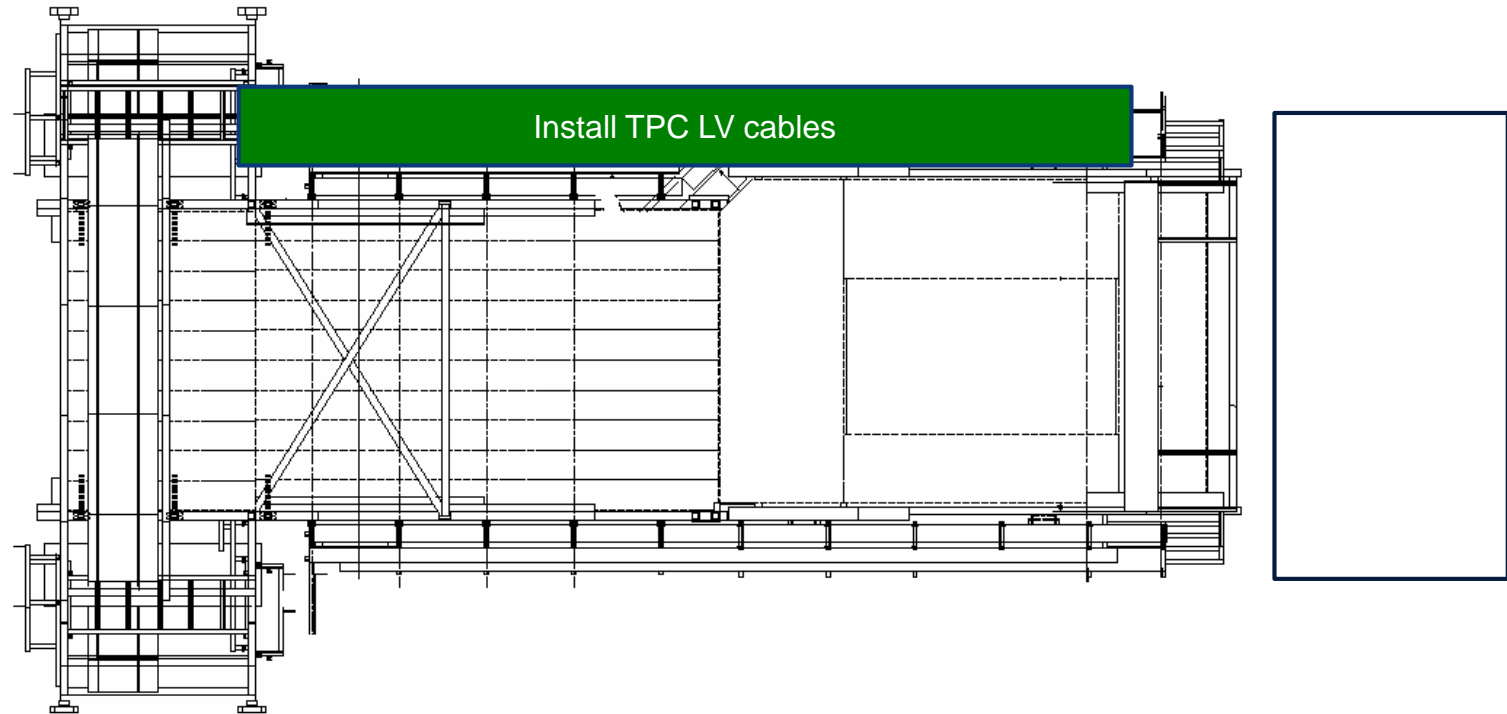
SXL2 activities w43 – Thu 24 Oct 2019

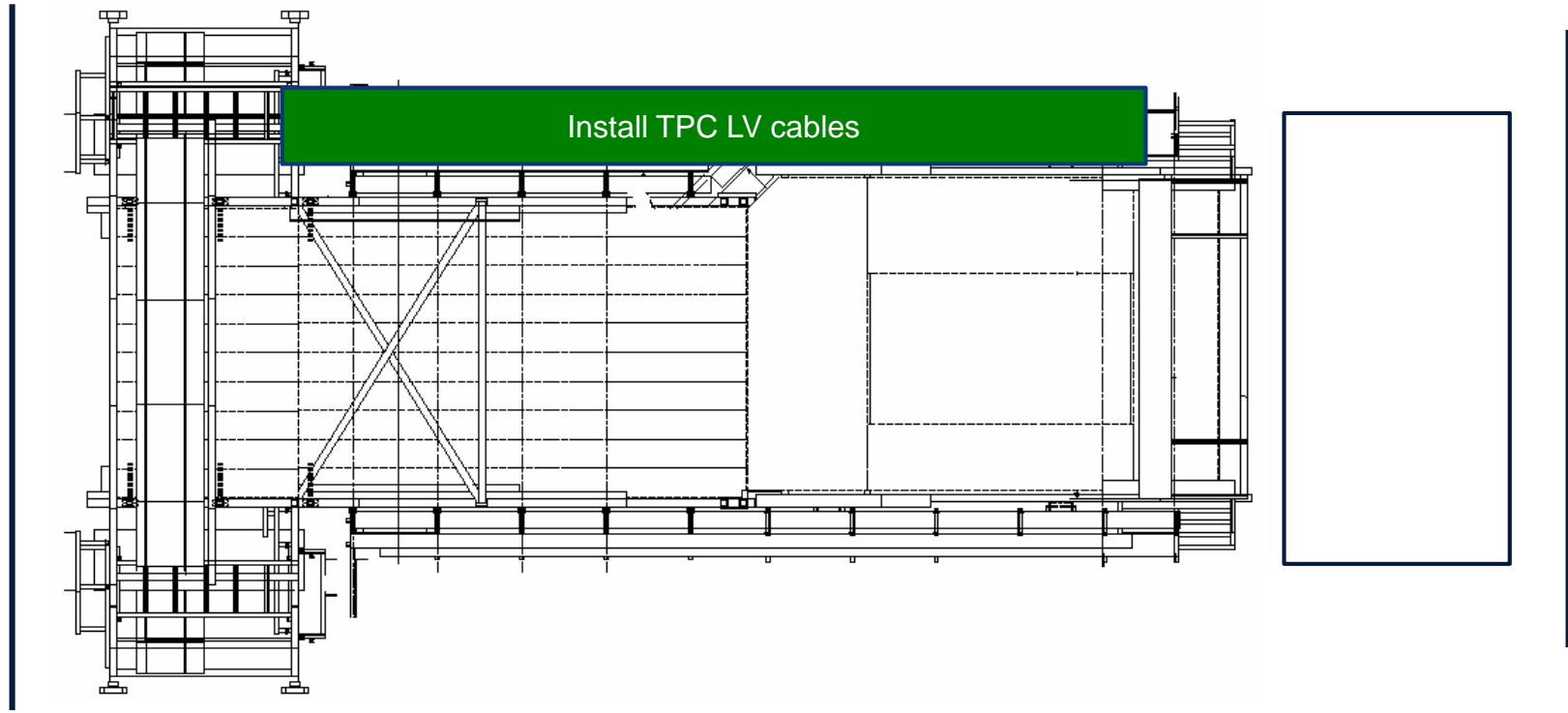


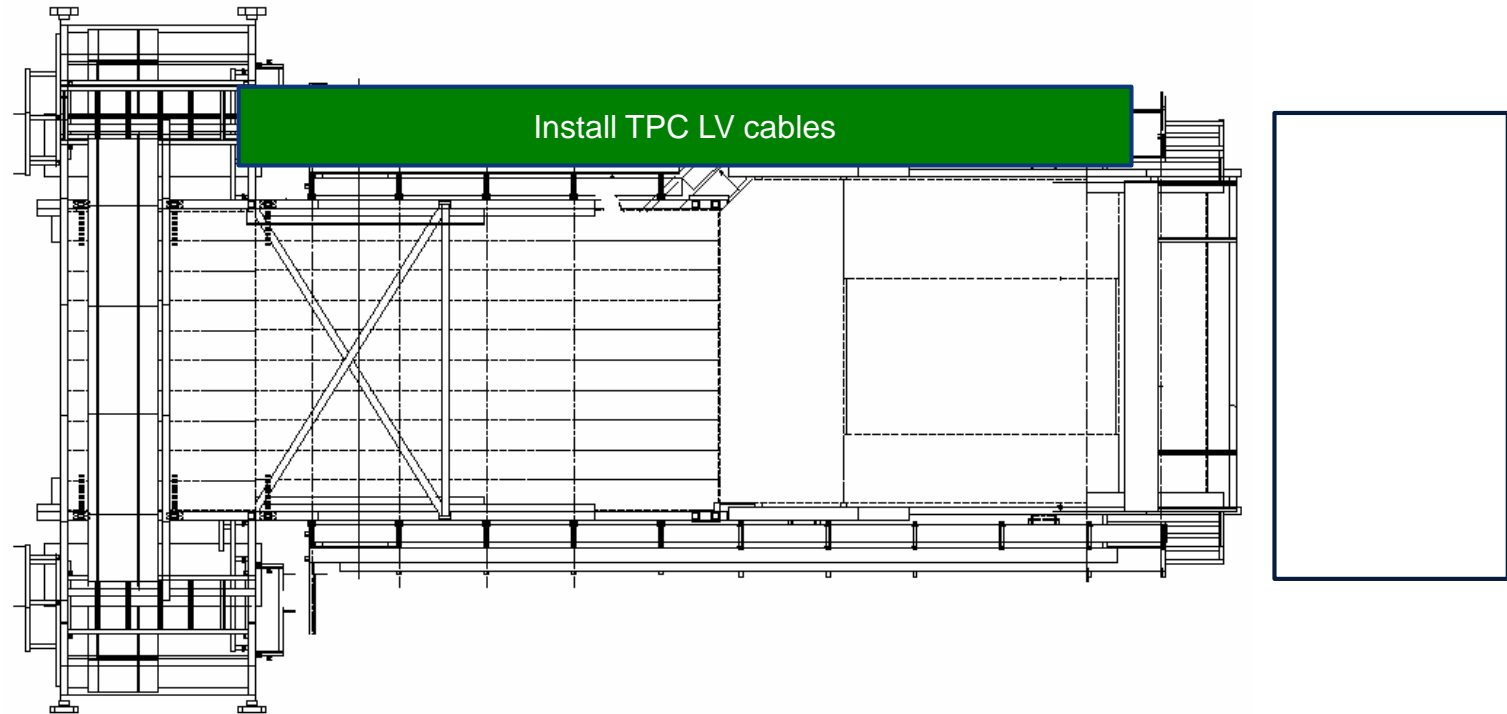
SXL2 activities w43 – Fri 25 Oct 2019











Miniframe activities w43 – Fri 25 Oct 2019

