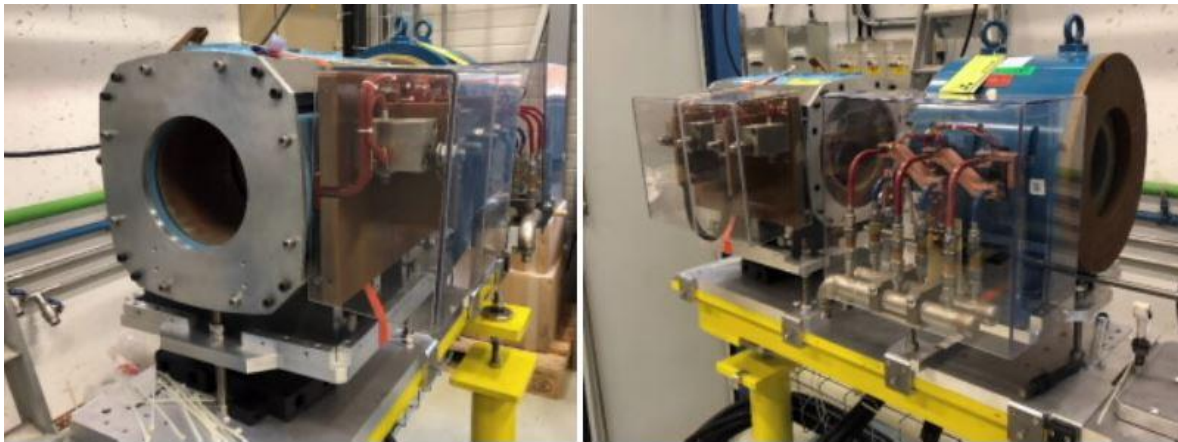


Status of CERN electron lenses test stand

Plan:

- To check if current design fits requirements for SCC gun
- To check parameters for already existing equipment
- To clarify unknown parameter (if any)

Lab



04/2019

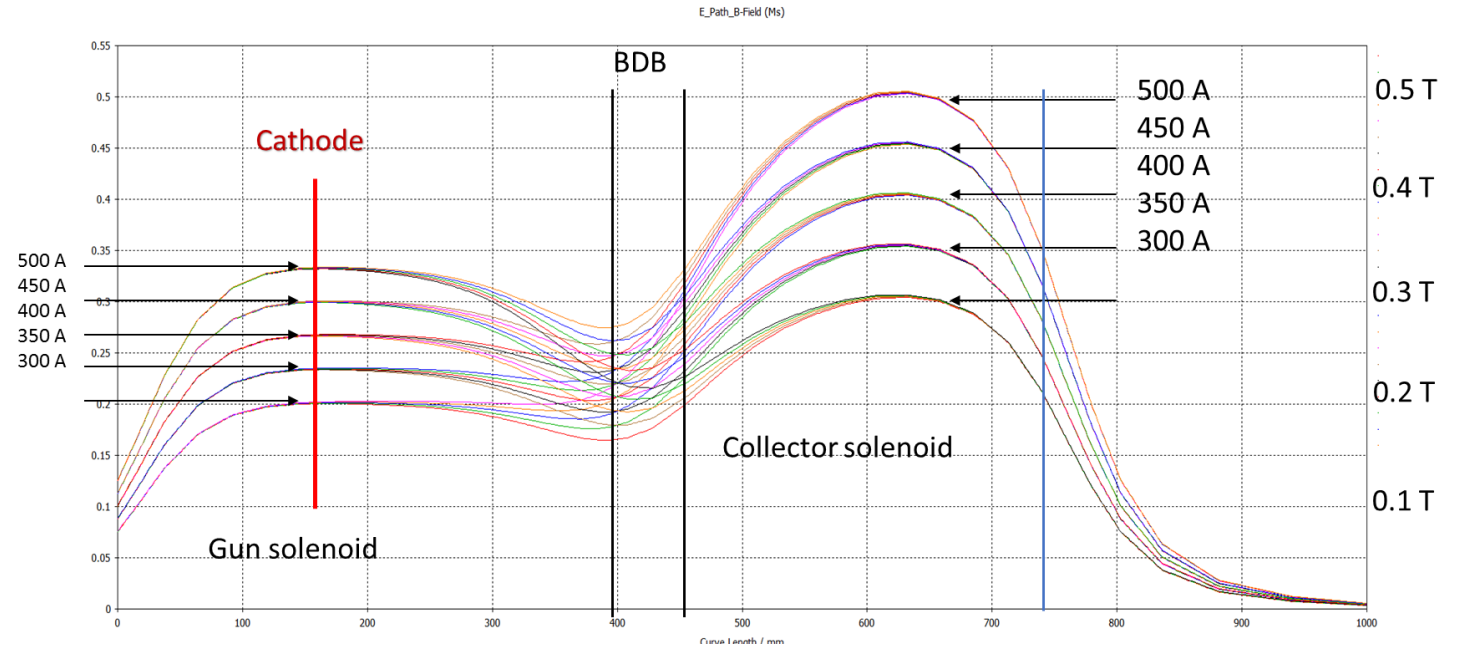
Solenoids and power converters

Power converters are installed

8 units 45V-140A

45V-560A
Collector
Solenoid

45V-560A
Gun Solenoid

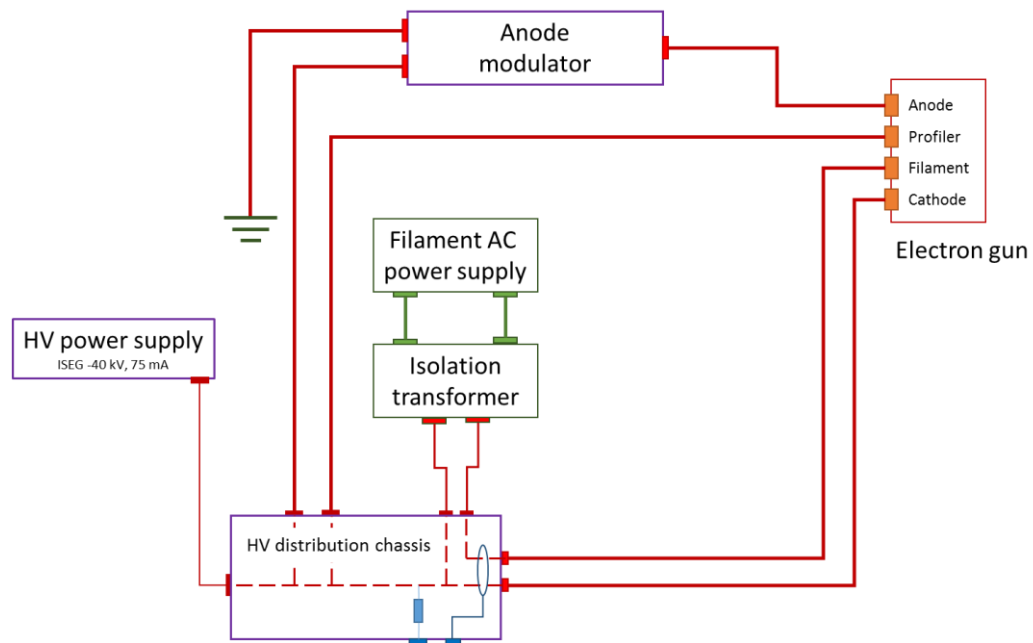


Solenoids are available

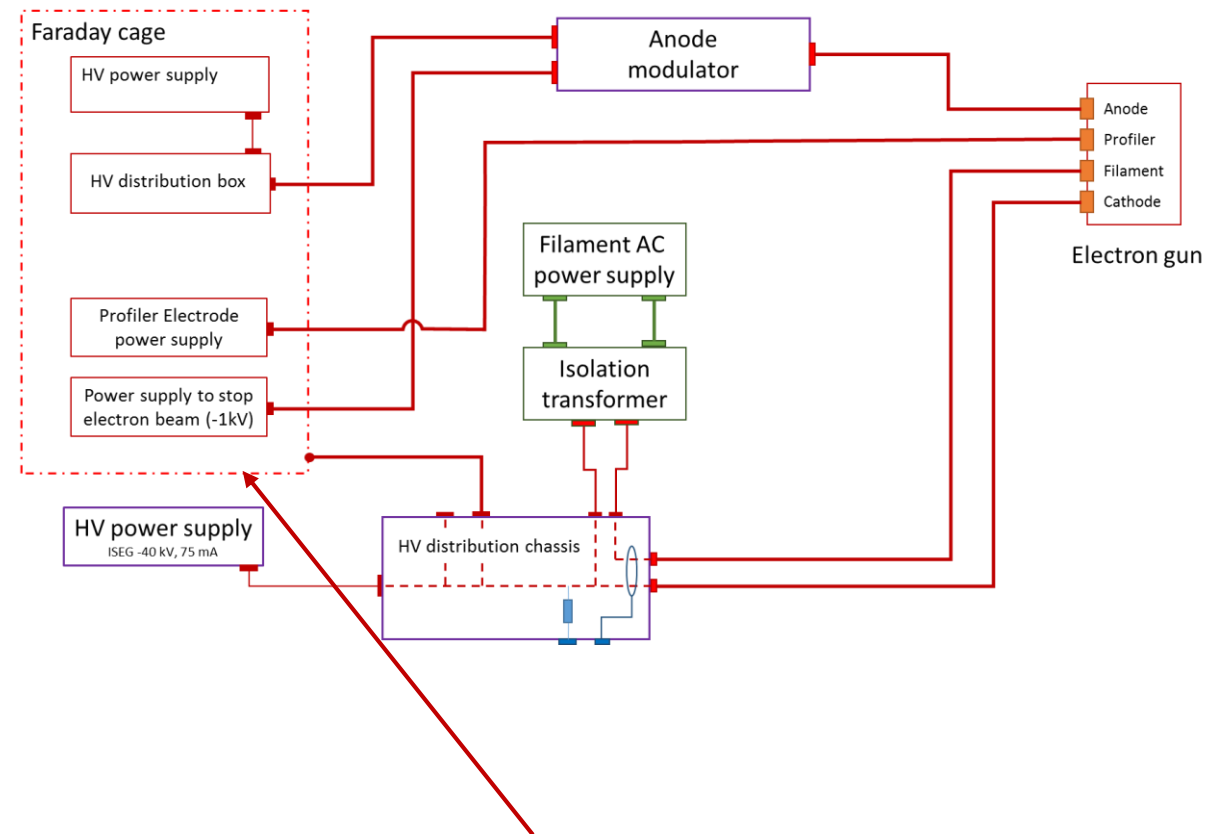
Up to **0.35 T** in the gun solenoid

Up to **0.50 T** in the collector solenoid

HV circuits

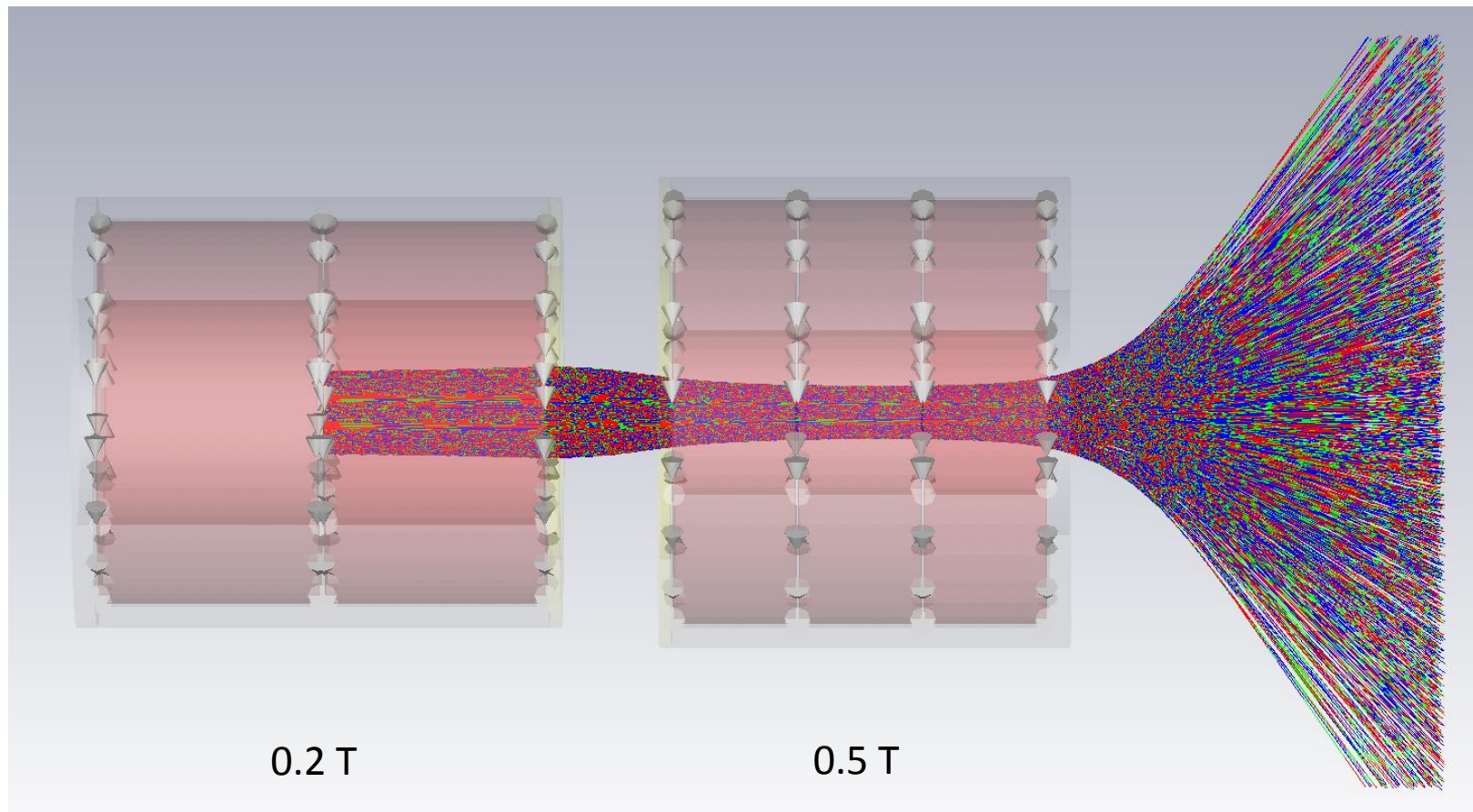


Extraction voltage is up to **40 kV**
Filament power supply **20A 40V**

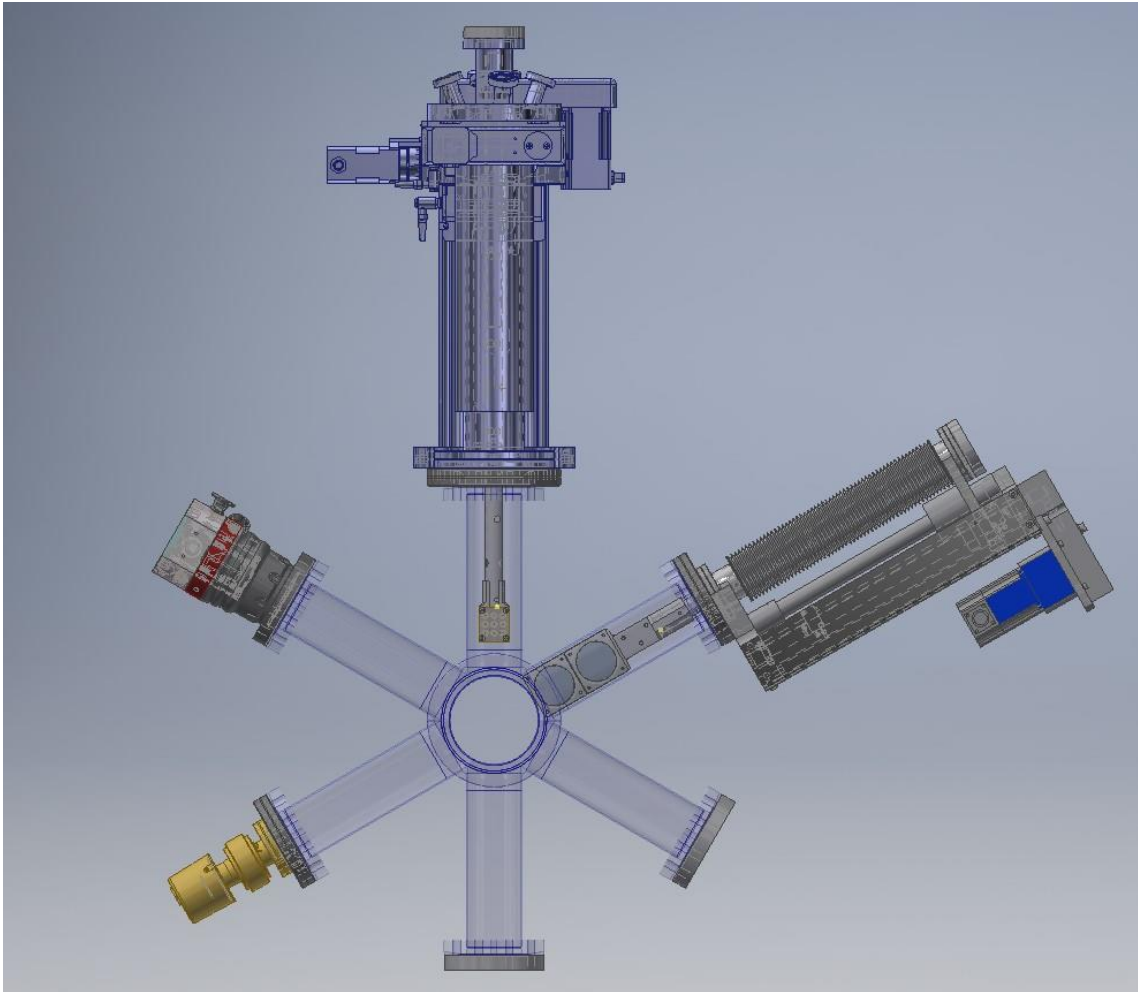


Items in the Faraday Cage are not ordered

Beam dynamics



Beam diagnostics



Beam dynamics - 2

