

SUMMARY

Follow up

To prepare for installation

Conclusion



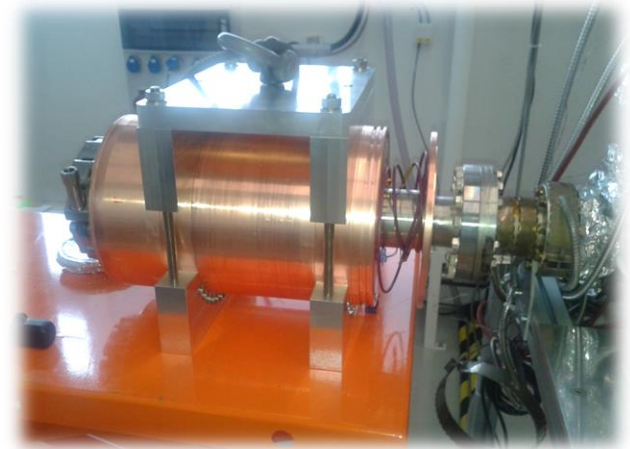
ANTIMATTER
FACTORY



■ Vacuum chambers Production

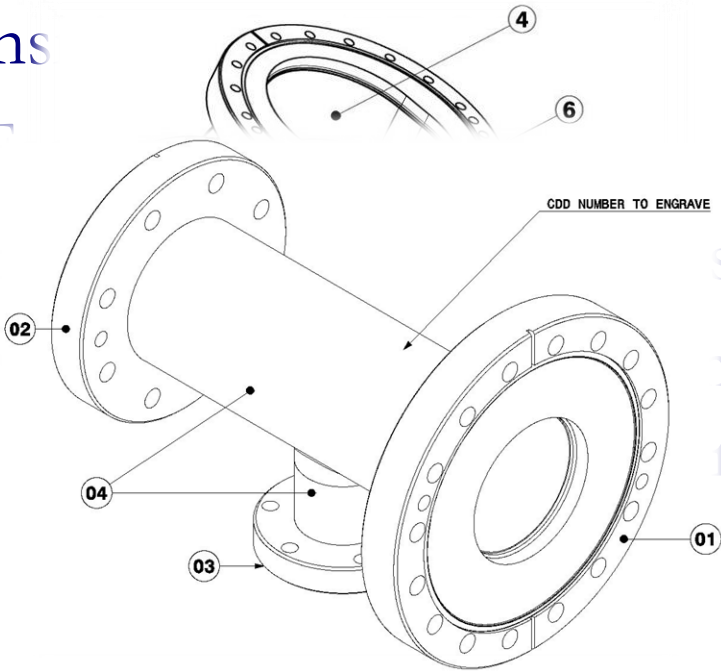
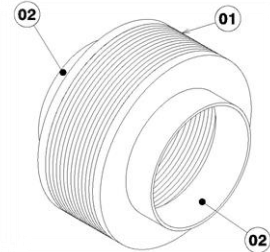
□ 62 Vacuum chambers completed

- Leak detection on April
- Cleaning @ CERN on May
- Acceptance test for 7 chambers on May
- Store on June
- Installation on July



To prepare for installation

- Budget review for 2019-2020
- Production of spare edge welded bellows
- Production of Fixed SEM grid tanks (ATRAP area)
- Production of trans
- Order crates for F
- Order last mecha
- Merge AD/ELE
- (Foreseen in June



assembly
n to one application
riod)

■ Follow the installation planning

▲ Vacuum work		62 days	Mon 22/07/19	Tue 15/10/19	
▷ Vac sector 3-4 (ATRAP2 + ALPHA)	TE-VSC	26 days	Mon 22/07/19	Mon 26/08/19	TE-VSC
▷ Vac sector 1-3 (LNE01 + ATRAP1)	TE-VSC	23 days	Thu 01/08/19	Mon 02/09/19	TE-VSC
▷ Vac sector 1-2 (LNE01-LNE02)	TE-VSC	22 days	Fri 09/08/19	Mon 09/09/19	TE-VSC
▷ Vac sector 0-1 (LNE00-LNE01)	TE-VSC	30 days	Thu 15/08/19	Wed 25/09/19	TE-VSC
▷ Vac sector 7 (BASE)	TE-VSC	26 days	Fri 23/08/19	Fri 27/09/19	TE-VSC
▷ Vac sector 6-5 (LNE06)	TE-VSC	32 days	Thu 29/08/19	Fri 11/10/19	TE-VSC
▷ Vac sector 5 (LNE05)	TE-VSC	28 days	Fri 06/09/19	Tue 15/10/19	TE-VSC

■ Acceptance tests to continue before & during installation



THANK YOU
FOR
YOUR
ATTENTION
ANY QUESTIONS?