

ELENA Phase2 Support System STATUS

28/3/2018

Antti Kolehmainen on behalf of WP2.1 Support system

OUTLINE



- Schedule
- Horizontal lines
- Vertical lines

SCHEDULE



1040	2183	6.5.1.12	1040	0%	Installation of the Transfer lines and ser		542 days	Fri 01/03/19
1041	2184	6.5.1.12.1	1041	0%	Install 3 SEM + LPU in LNE00	TE-VSC	2 days	Mon 11/03/19
1042	2185	6.5.1.12.2	1042	0%	Survey Marking (including new netw	EN-SMM	5 wks	Fri 01/03/19
1043	2186	6.5.1.12.3	1043	0%	Drilling in the shielding block for AS	SMB-SE	2 days	Fri 05/04/19
1044	2187	6.5.1.12.4	1044	0%	Drilling in the shielding block for AE	SMB-SE	2 days	Tue 09/04/19
1045	2188	6.5.1.12.5	1045	0%	Drilling for the mechanical support	EN-MME	2 wks	Thu 11/04/19
1046	2189	6.5.1.12.6	1046	0%	Installation of the new mechanical s	EN-MME	3 wks	Thu 25/04/19
1047	2190	6.5.1.12.7	1047	0%	Cabling work can technically start	EN-EL	0 days	Wed 15/05/19
1048	2191	6.5.1.12.8	1048	0%	Installation of electrostatics elemen	TE-VSC,TE-ABT	5 wks	Thu 16/05/19
1049	2192	6.5.1.12.9	1049	0%	Alignment of electrostatic elements	EN-SMM	21 days	Thu 20/06/19
1050	2193	6.5.1.12.10	1050	0%	Lissage	EN-SMM	3 wks	Tue 15/10/19
1051	2194	6.5.1.12.11	1051	0%	Measurement of SEM (31) positions	EN-SMM	1 wk	Tue 05/11/19
1052	2195	6.5.1.12.12	1052	0%	Electrical connection of electrostatic	TE-ABT	4 wks	Mon 06/04/20
1053	2196	6.5.1.12.13	1053	0%	Electrical connection of SEM	BE-BI	2 wks	Mon 10/02/20
1054	2197	6.5.1.12.14	1054	0%	Vacuum work		442 days	Fri 19/07/19
1055	2198	6.5.1.12.14.1	1055	0%	Vac sector 3-4 (ATRAP2 + ALPHA)	TE-VSC	26 days	Fri 19/07/19
1056	2199	6.5.1.12.14.1	1056	0%	Vacuum connection + installat	TE-VSC	4 days	Fri 19/07/19
1057	2200	6.5.1.12.14.1	1057	0%	Pump down + leak detection	TE-VSC	4 days	Thu 25/07/19
1058	2201	6.5.1.12.14.1	1058	0%	Bake-out preparation	TE-VSC	5 days	Wed 31/07/19
1059	2202	6.5.1.12.14.1	1059	0%	Bake-out	TE-VSC	2 wks	Thu 08/08/19
1060	2203	6.5.1.12.14.1	1060	0%	Decablage	TE-VSC	2 days	Thu 22/08/19
1061	2204	6.5.1.12.14.2	1061	0%	Vac sector 1-3 (LNE01 + ATRAP1)	TE-VSC	23 days	Wed 31/07/19
1062	2205	6.5.1.12.14.2	1062	0%	Vacuum connection + installat	TE-VSC	4 days	Wed 31/07/19
1063	2206	6.5.1.12.14.2	1063	0%	Pump down + leak detection	TE-VSC	2 days	Tue 06/08/19

GANTT CHART

PREPARATION:

- SURVEY TRACING – ON-GOING
- DRILLING – START FROM APRIL 8

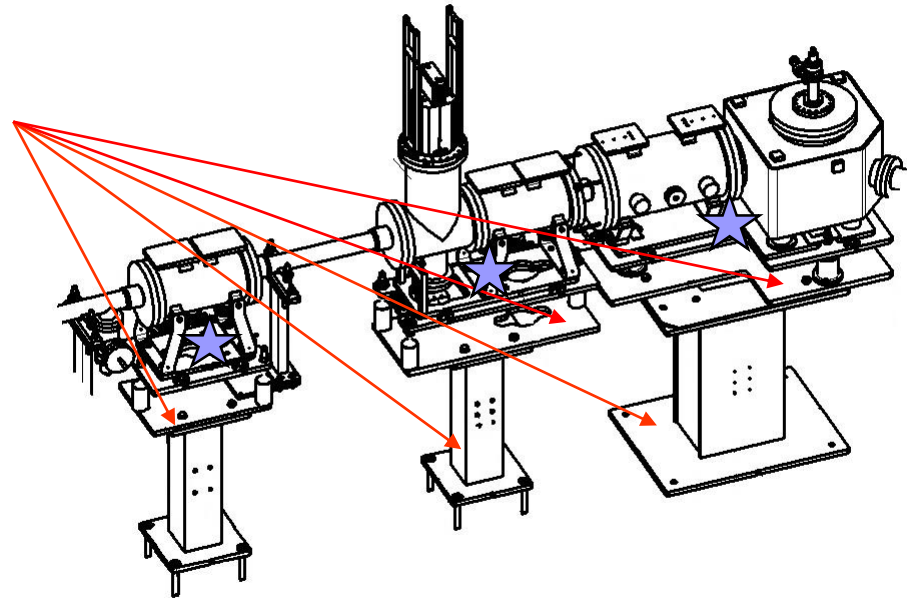
DEADLINES:

- INSTALLATION OF ELECTROSTATIC EQUIPMENT
- VACUUM WORK

HORIZONTAL LINES



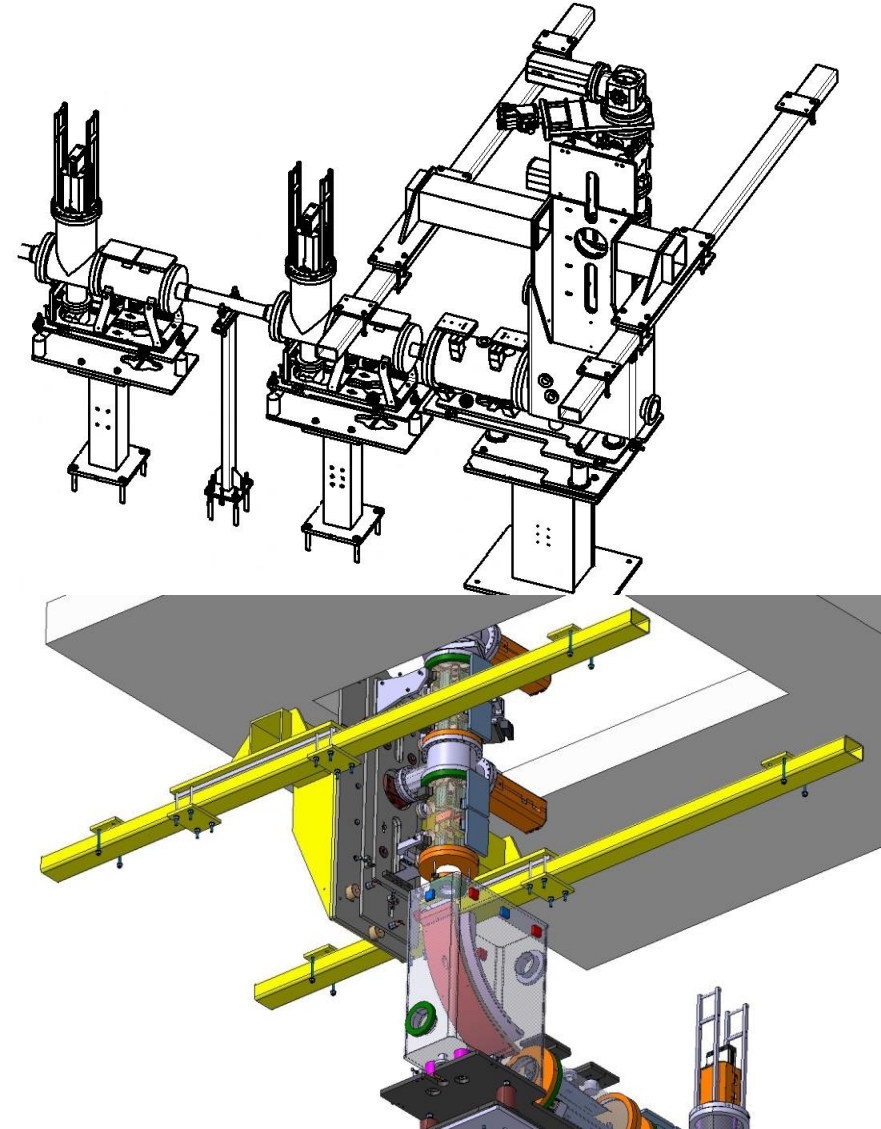
- INSTALLATION 25/4 – 16/5/2019
- SUPPLY OF COLUMNS AND ALIGNMENT TABLES W18 = 3/5/2019
- SHIMS AND HARDWARE ORDERED FOR 25/4/2019
- INSTALLATION 6/5 – 16/5/2019
 - EN/HE REQUIRED FOR ZDS-RELATED SUPPORTS HANDLING
 - ESTIMATION 1 WEEK OF WORK, EN/HE 2 DAYS
- ZDS-SUPPORTS ORDERED FOR 31/3/2019
 - TO BE DELIVERED TO TE/ABT FOR ASSEMBLY?
- ZQNA – SEM SUPPORTS AVAILABLE @ b.133
- ZQNA SUPPORTS ORDERED FOR 30/4/2019



VERTICAL LINES



- DESIGN OF THE LINE APPROVED THIS WEEK!
- ORDER FOR RIGID SUPPORT COMPONENTS WITH 6 WEEKS LEAD TIME = 10/5/2019
- ORDER FOR ALIGNMENT TABLES AND COMMON SUPPORTS WITH 8 WEEKS LEAD TIME = 24/5/2019 – FOLLOWS THE SEM TANK SCHEDULE
- INSTALLATION TOOL REQUIRED!
 - IS IN REVIEW WITH EN/HE
 - VERY SHORT LEAD TIME REQUIRED!
- LINE INSTALLATION REQUIRED BY THE START OF THE VACUUM WORK = 19/7/2019

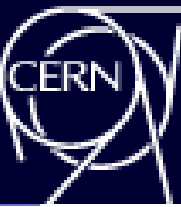


CONCLUSION

- HORIZONTAL LINE COMPONENTS IN ORDER WITH DELIVERY TO RESPECT THE SCHEDULE – NO MARGIN!
- VERTICAL LINES COMPONENTS NEED SHORT LEAD TIMES TO KEEP THE SCHEDULE
- CONTRACTS MUST BE FOLLOWED CLOSELY!



ELENA is on its way...



? / !

ANY QUESTIONS / REMARKS
THANK YOU FOR YOUR ATTENTION!