

East Hall under construction - 1962

EA Renovation Project Team meeting #28

Integration : news

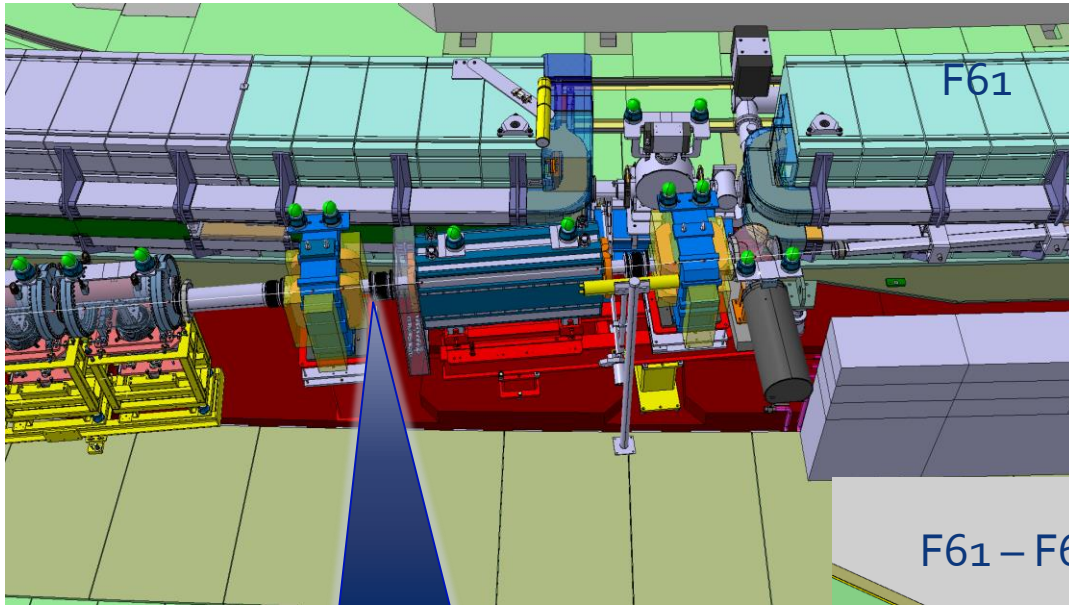
Damien BRETHOUX / EN-EA-DC, 10-05-2019



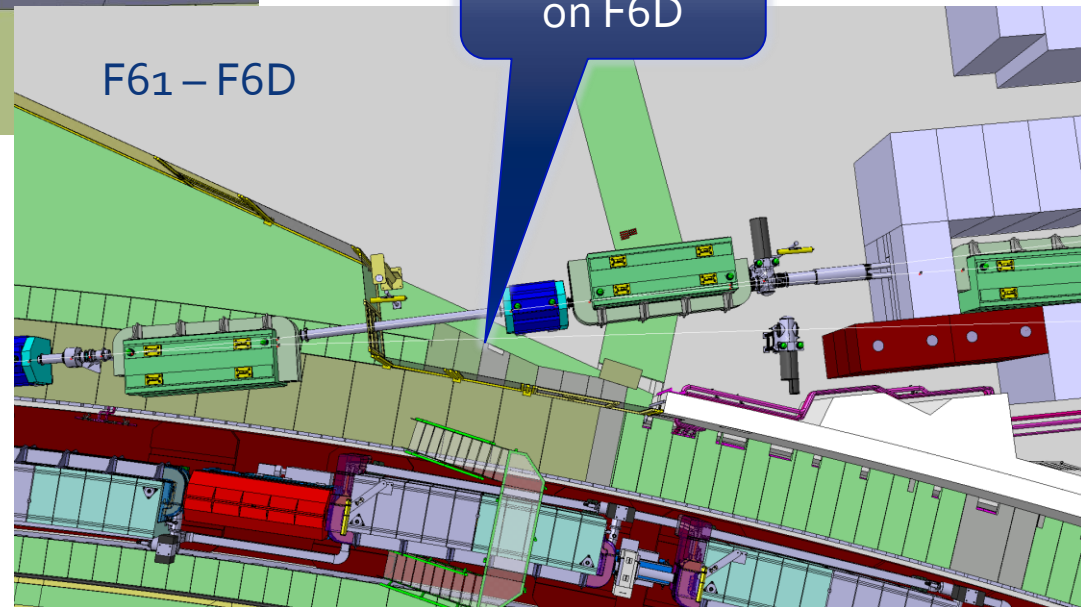
ENGINEERING
DEPARTMENT



1) Vacuum & beam lines modifications (F61 – F6D)



Optimization of
batch files on request
of vacuum team



No vacuum
on F6D

Vacuum & beam lines modifications (F62 – F63)

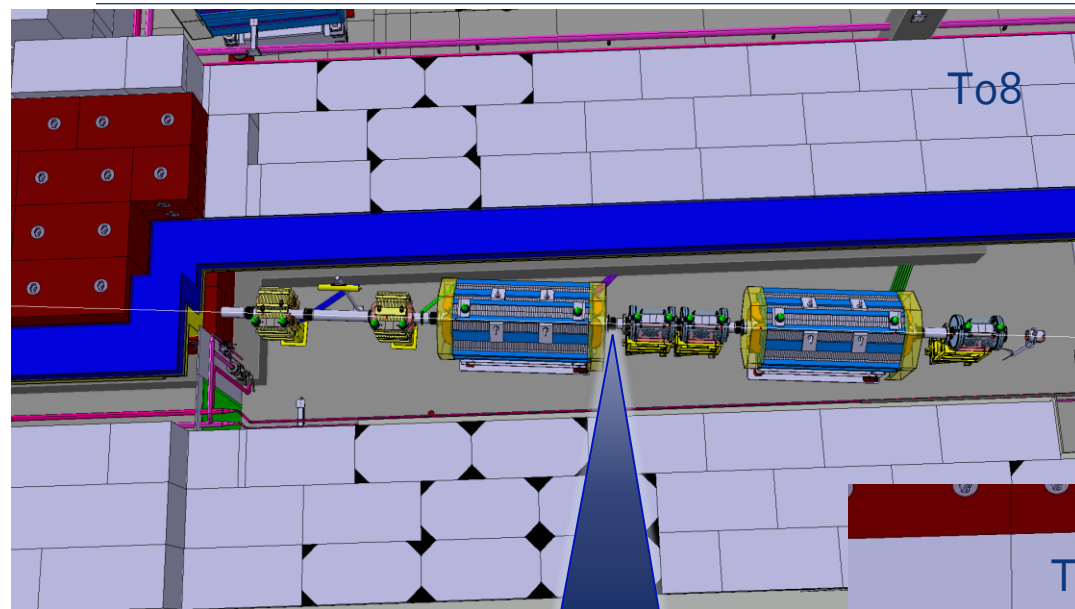
F62 – T08

Optimization of
beatch files on request
of vacuum team

No vacuum
on F63

F63 – T08

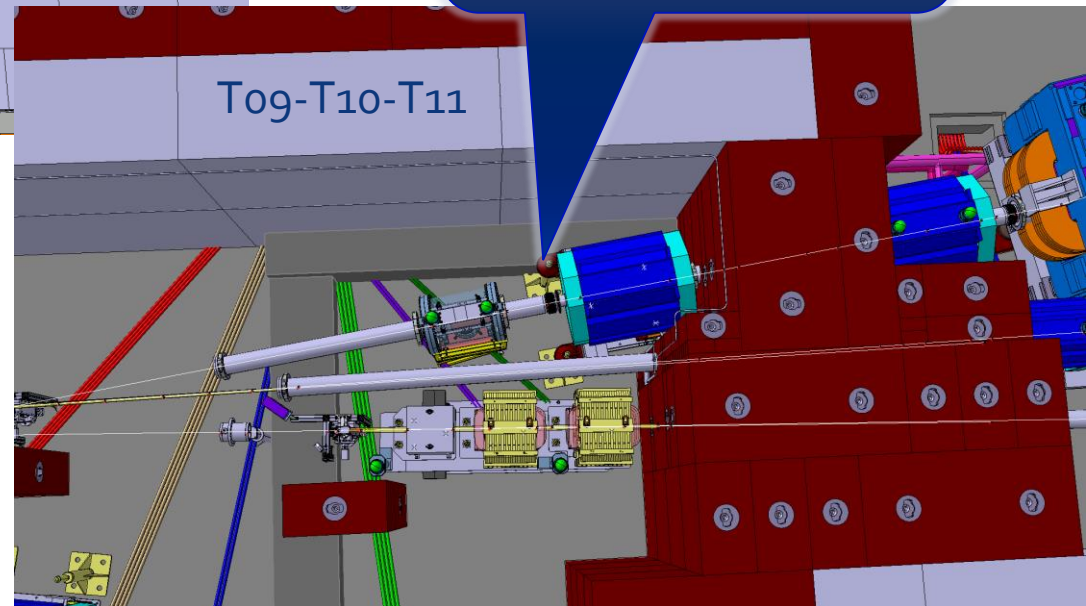
Vacuum & beam lines modifications ongoing (To8-To9-T10-T11)



To8

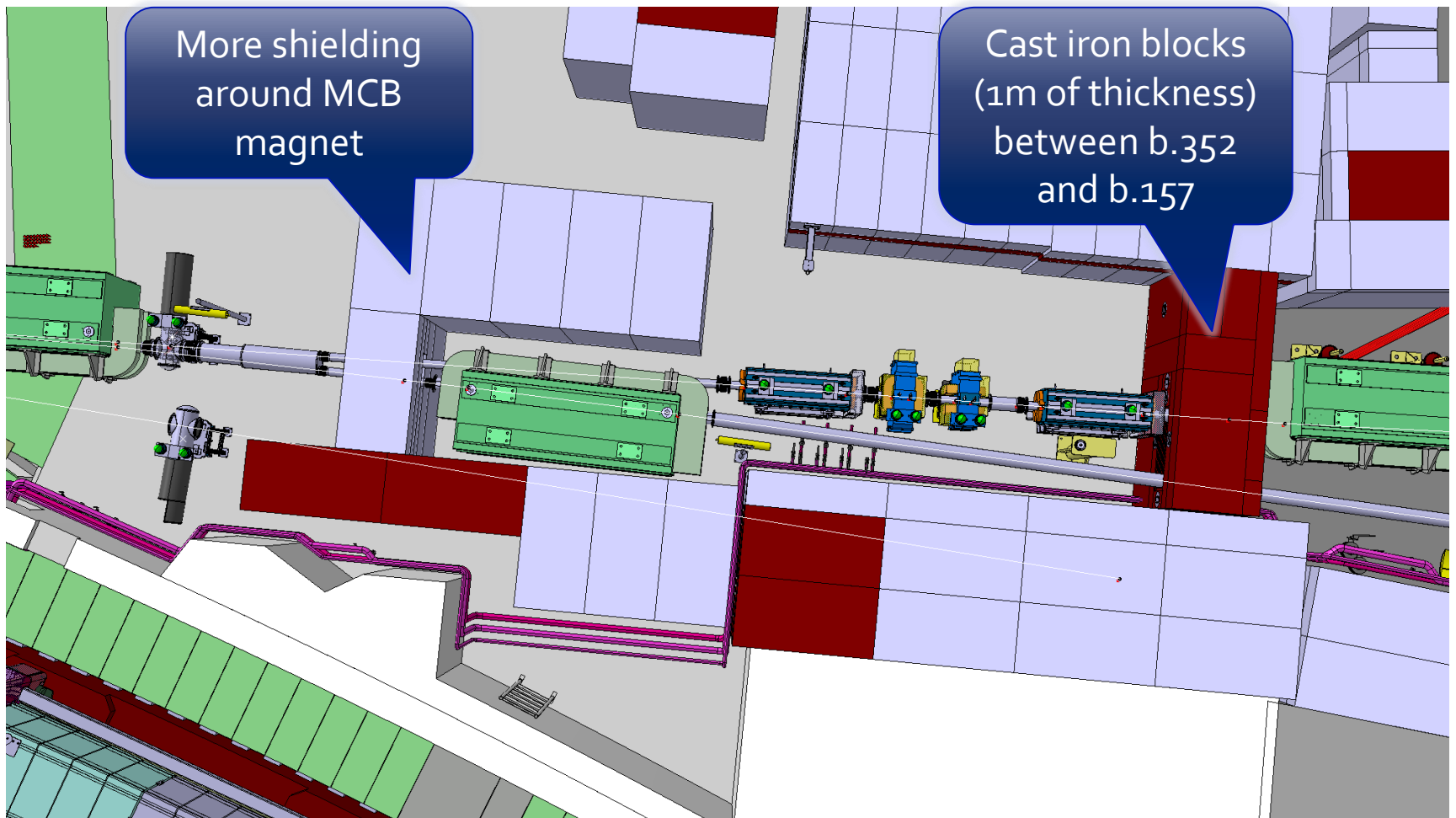
Optimization of
beatch files on request
of vacuum team

Optimization of
beatch files on request
of vacuum team

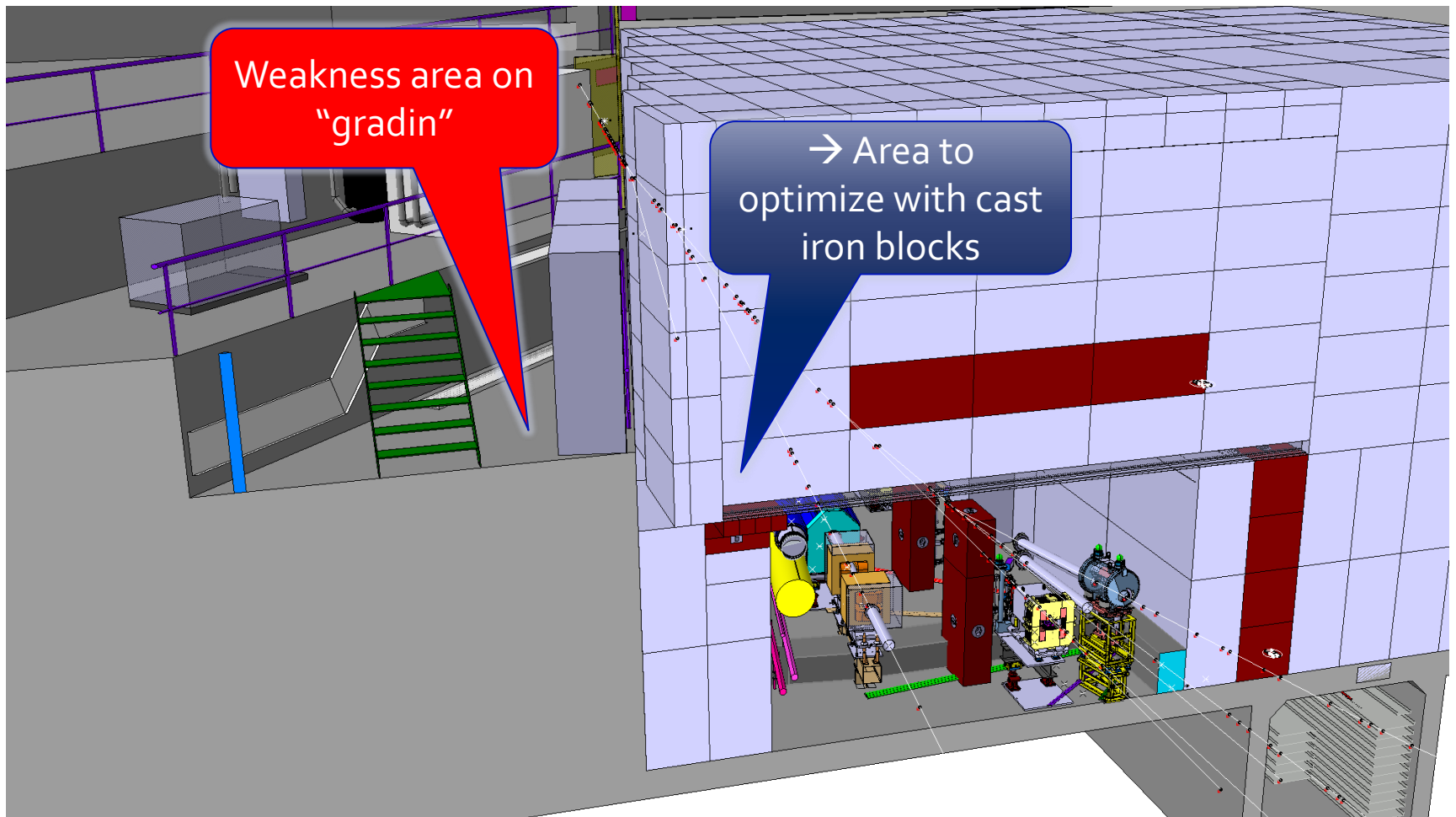


To9-T10-T11

2) Shielding modifications (according to RP)

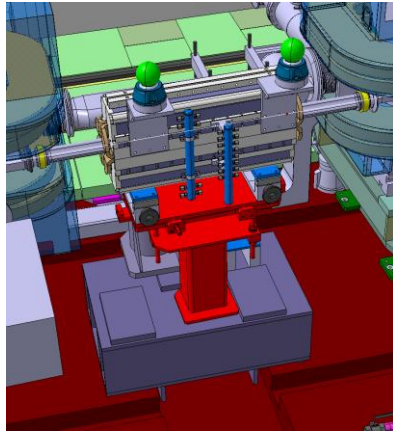


Roof shielding modifications (ongoing & according to RP)

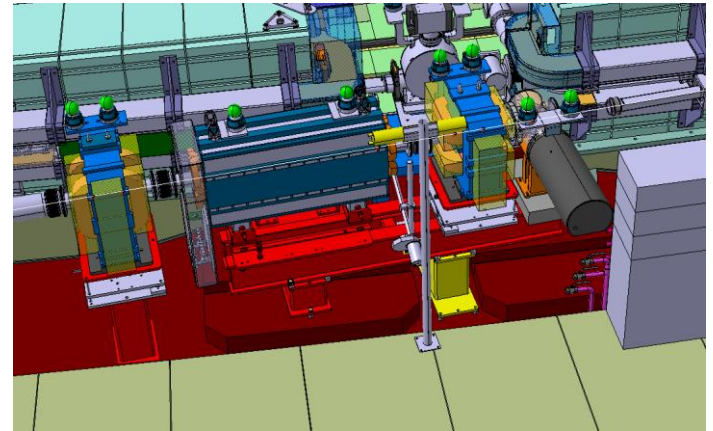


3) Magnets supports _ fixed

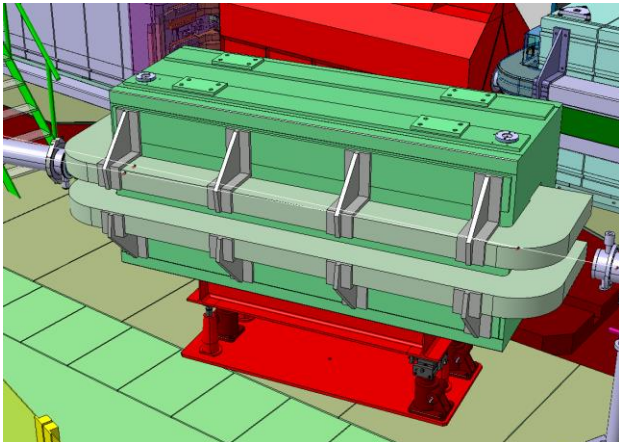
Q74 on going (F61)



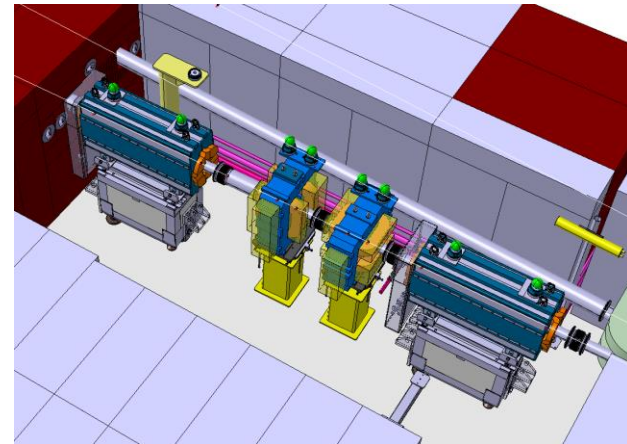
BTV-CR200-Q120L-CR200 (F61)



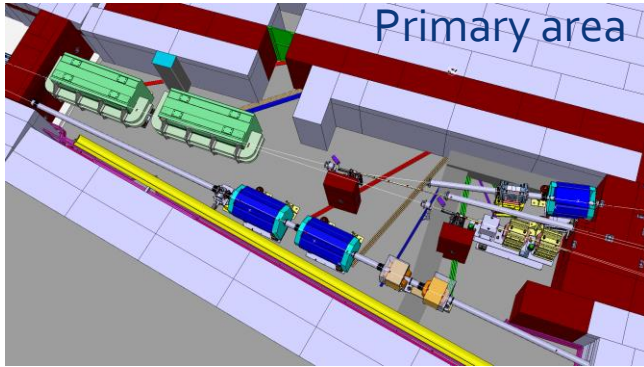
MCB (F61-F62-T08)



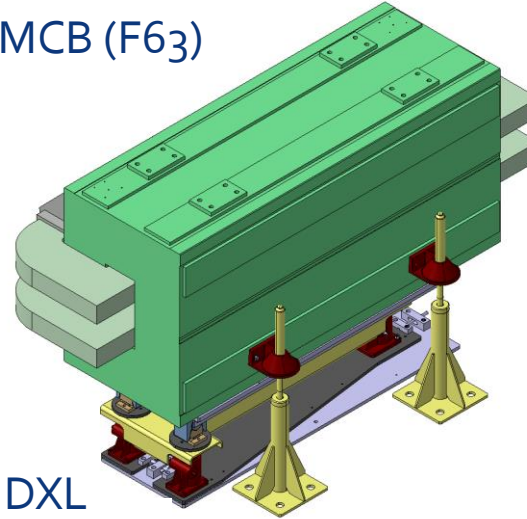
Q120L-CR200-CR200-Q120L (F62)



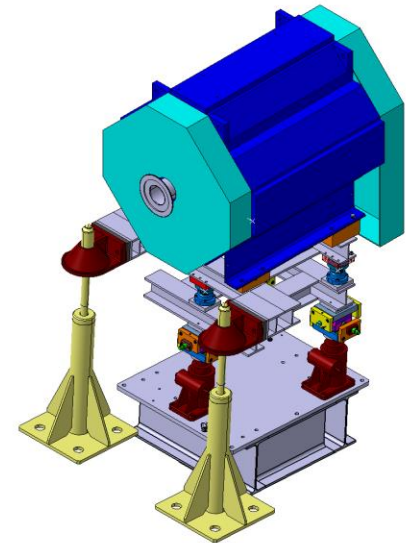
Magnets supports _ plug-in (ongoing)



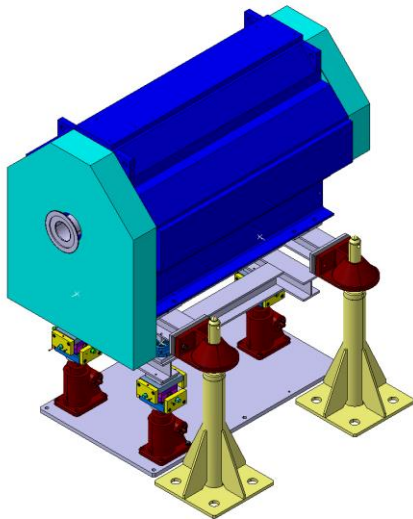
MCB (F63)



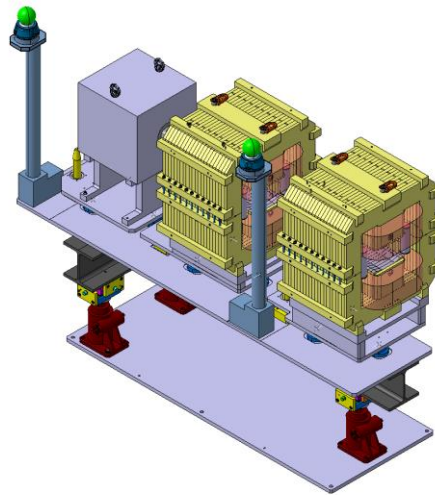
QFS (T11)



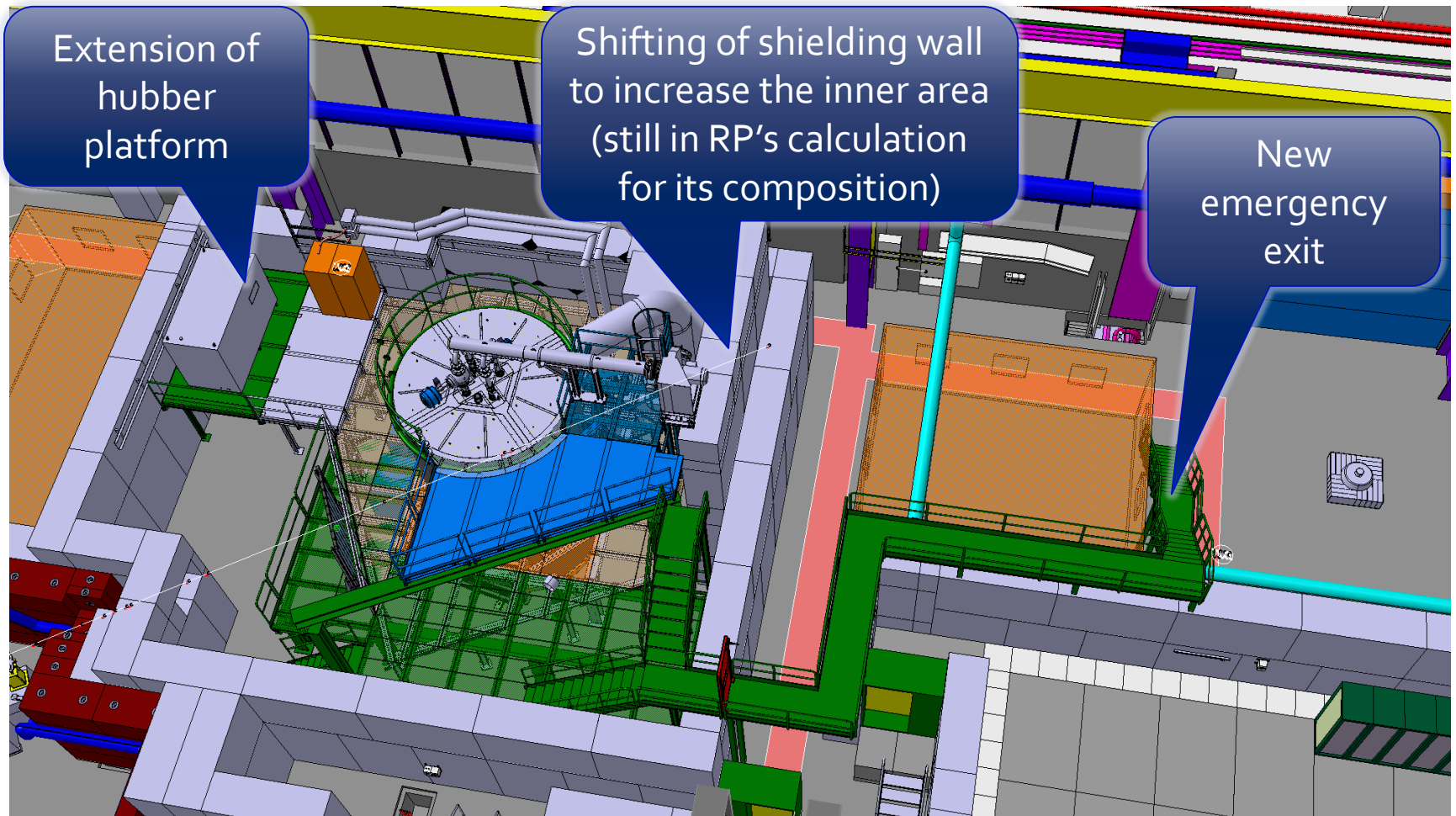
QFL (To8)



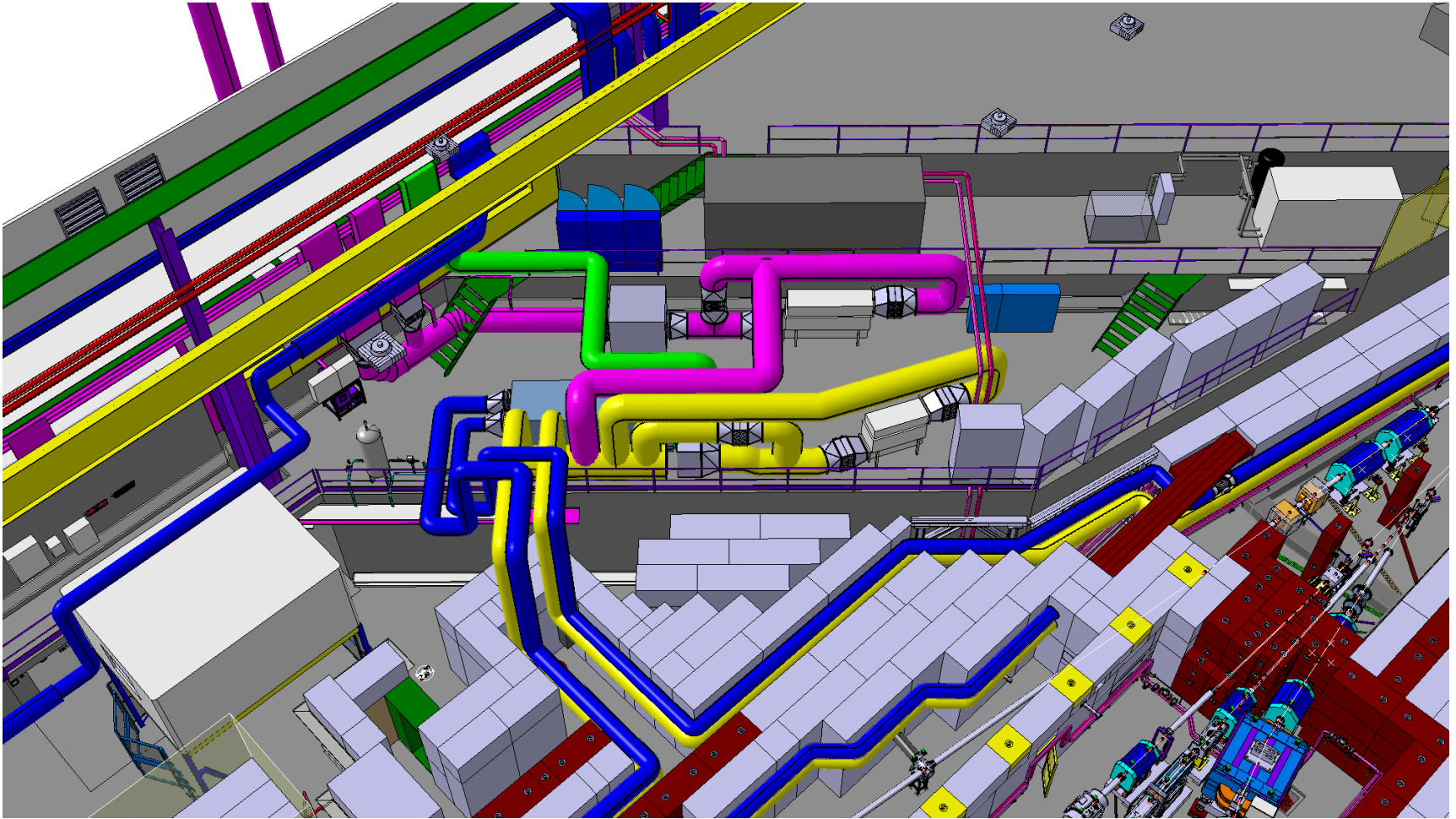
TCX-MDXL-MDXL



4) Modifications for CLOUD area (on request of CLOUD team & according to RP)



5) CV's station update for primary area (according to the new design of the roof)



Thanks for your attention !

