

*East Hall under construction - 1962*

# East Area Renovation Project #28

## Feedbacks from worksites & coordination meetings

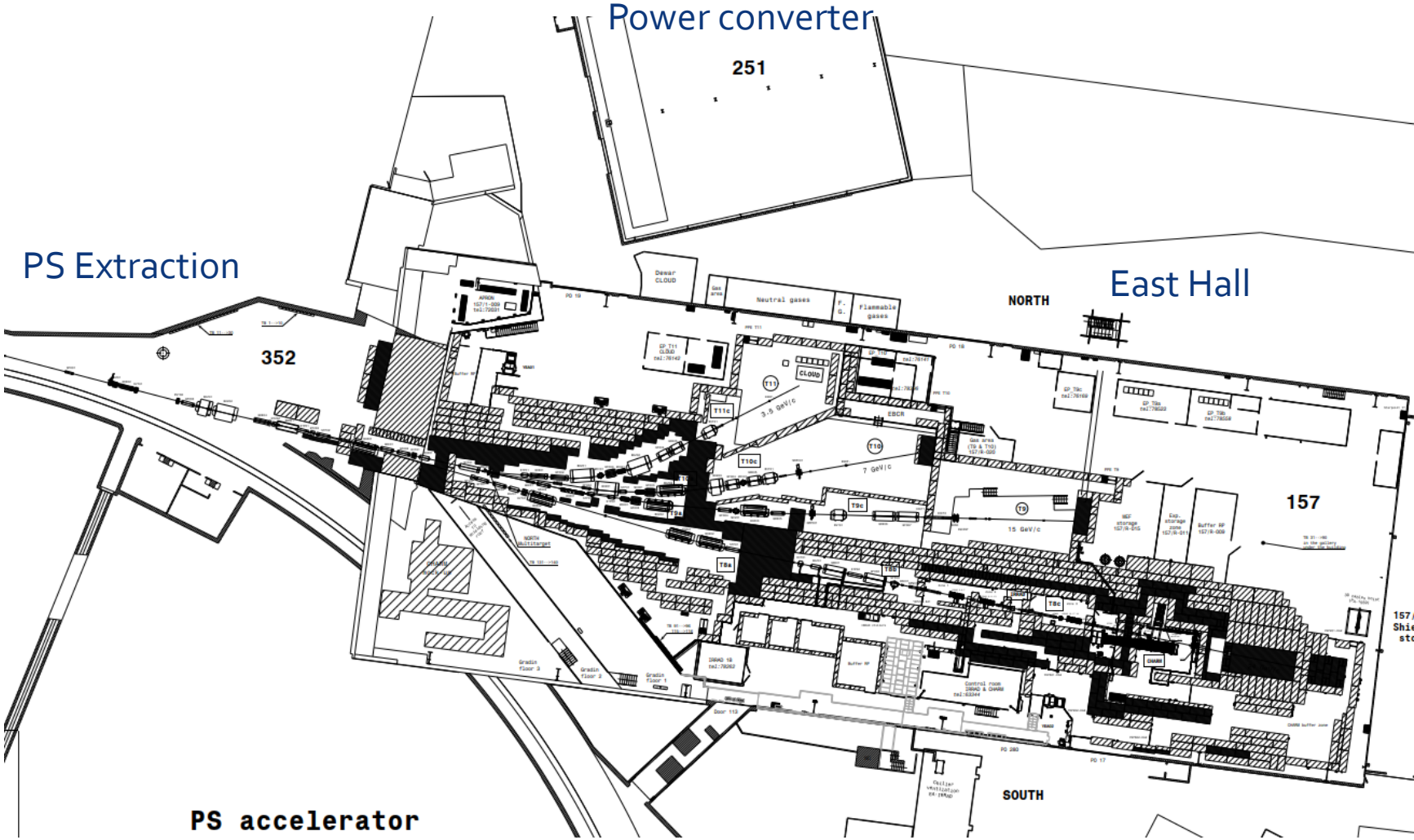
Aboubakr Ebn Rahmoun / EN-EA, 10-05-2019



ENGINEERING  
DEPARTMENT



# Activities overview



# Status b.251

September 2018



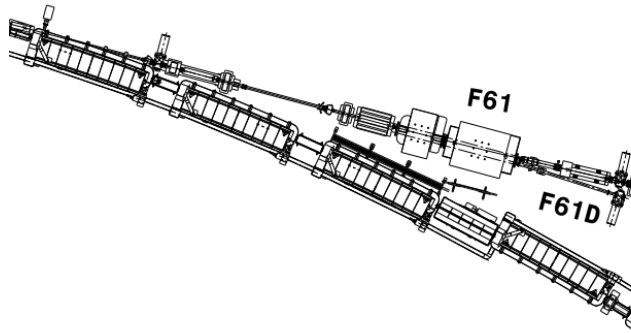
Actual



- Next step
  - Removing some parts of metallic structure
  - Dismantling of cable tray by EN-EL, in July

# Status b.352

- F61, extraction beam line
  - All equipments and instrumentations were removed
  - Relocation of shielding, done
  - Almost all magnets were removed, M100&M200 planned for end of may
  - Dismantling of water pipes on going by EN-CV



# Status b.157

---

From last coordination meeting

- B.157
  - Dismantling
    - Concrete roof (primary area),
      - Ongoing some part of iron blocks are removed
  - Storage blocks and magnets @157
    - ground load validation on pending from HSE & SMB
      - Q100 on CLOUD will be removed during primary area dismantling
      - Supports send and stored for maintenance EHN1 (PPE132),
  - Civil engineering
    - The south wall, on going. The roof refurbishment will be start 13/05,
  - MCBV from F61 has too high radioactivity to go on Preveessin for maintenance
    - On going with RP, if possible to take one quickly from To8 (Primary Area)
  - Many parallel activities from June to September
    - Removing "platelage", SMB
    - Dismantling beam lines and services on primary are, all groups involved
    - Fan installation on the roof, CV

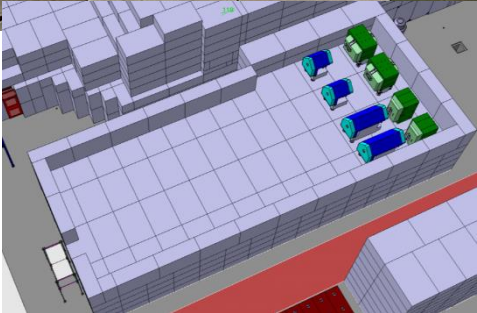
# Advancement

February 2019

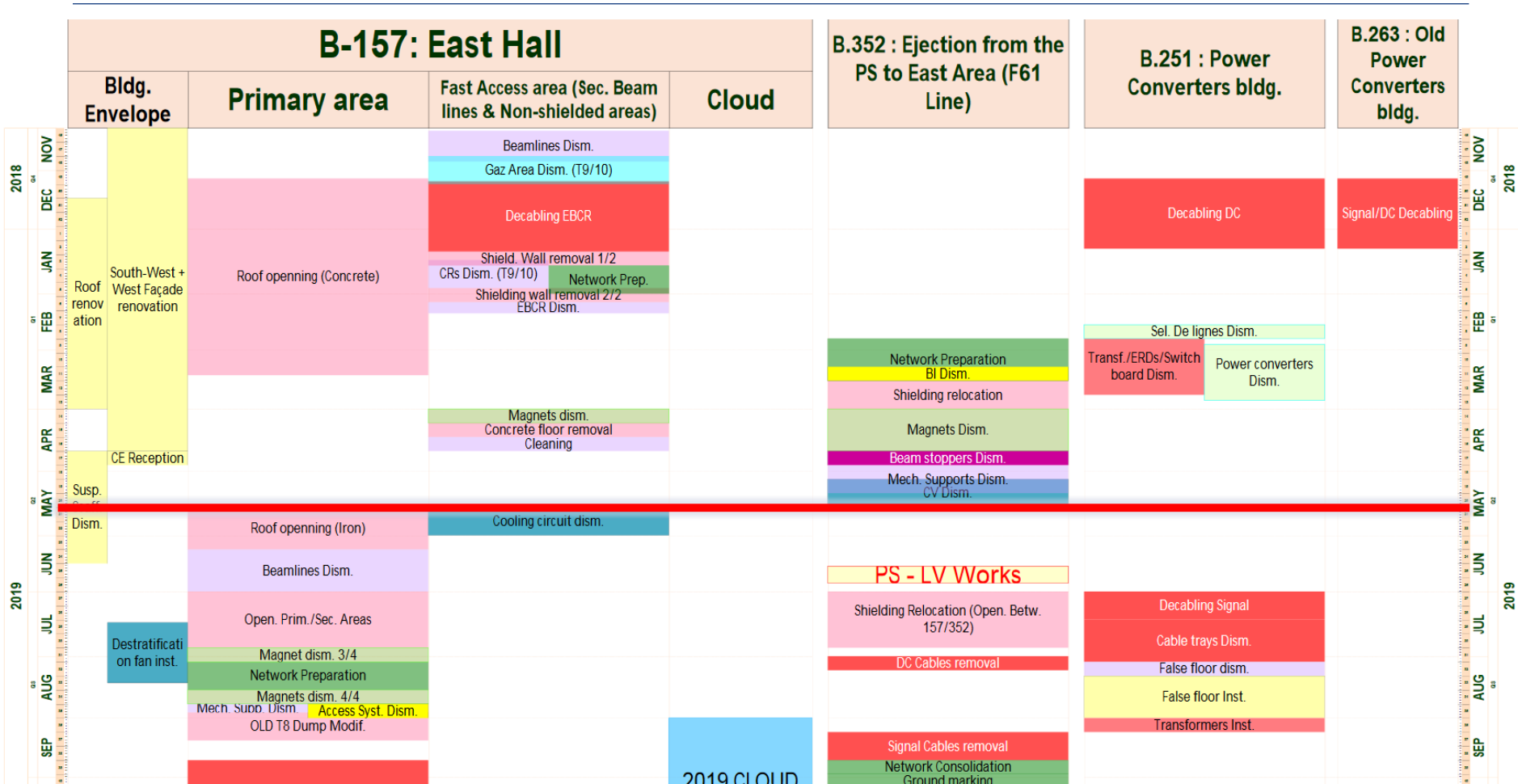
Currently



Primary area roof



# Planning



# Thanks for your attention!



EAST AREA RENOVATION

