

East Hall under construction - 1962

East Area Renovation Status EA Deliverables

Giulia Romagnoli / EN-EA, 10-05-2019

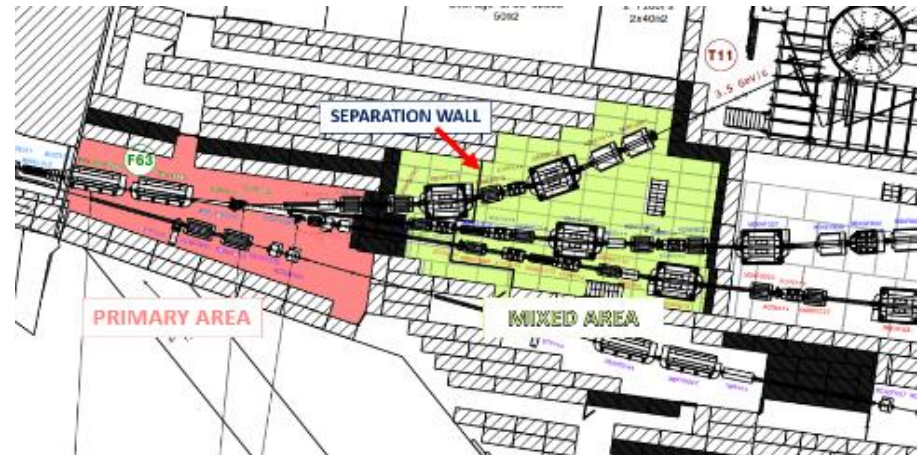


ENGINEERING
DEPARTMENT



Shielding

- **Mixed and Primary Areas shielding design:** technical specifications soon to be released
→ **CHALLENGE** primary area roof with sealing solution
- **Dump primary area:** CONTRACT WITH EXTERNAL COMPANY
offer received from Pakistan (125 KCHF, 6 month delivery)
- **Shielding b.352:** existing shielding will be mostly recovered + few new blocks
- **TO DO: Logistics for concrete blocks handling** to avoid useless transport operations during following months



Scaffolding Needs

Possible future needs during next months (CV? EL? EA?)

Contract with external company under the supervision of EN-EA-AS

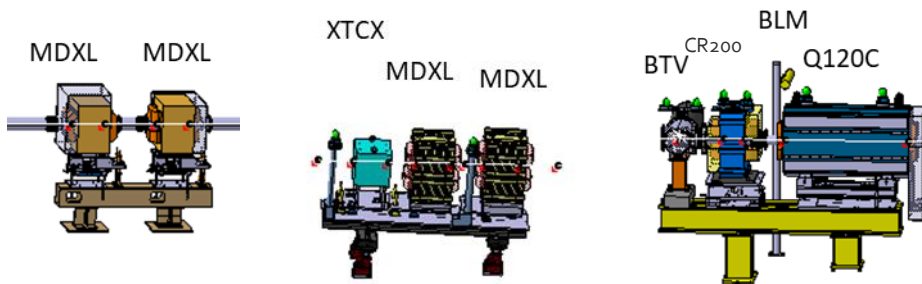
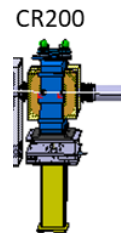
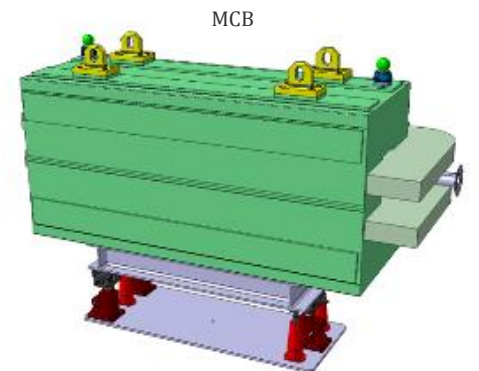
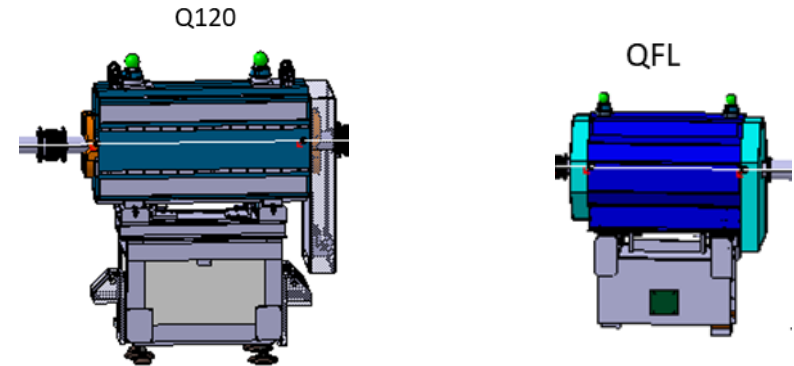
PLEASE
estimate scaffolding needs
for your installation and communicate them in advance!

Other Services

- **False Floor b.251:**
 - DR launched (180 CHF) via DO and external company
 - EA will dismount the existing structure (cable tray kept for re-use) and SMB will reinstall in September → CRITICAL TIMING
- **GAS supply to exp areas:** prefabrication to be started
- **EA Cabling**
 - Patch panels connection between exp area and control room
 - Connection done following North Area standard
- **Dismantling Primary Area:** Starting in June by company Nuvia

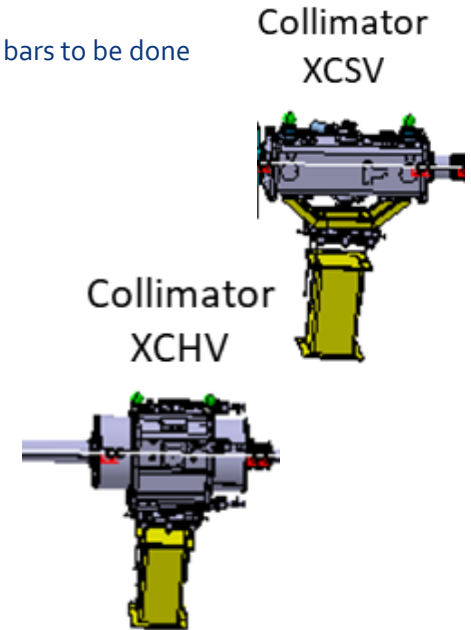
Magnets Supports

- 3D design 90% done
- 2D drawings to be done by EA-design office or MME
- 54 supports to be produced (EA workshop):
 - 12 metal base recovered (small modifications for angles)
 - 18 concrete base recovered + production of interface frame
 - 8 Universal supports (for 2: small modifications) in stock?
 - 13 Adjusting system support (plug-in and non)
 - 3 supports multiple components (plug-in and non)
- Design validation: “control 1” drawings done by MSC



EA Equipment

- 4 Cerenkov counters: body and support in stock + production of chambers and windows for 15 bars to be done
→ **CRITICAL**: installation foreseen May 2020
- 1 TXC fixed collimator: 3D model done, 2D drawings on going
- 3 Collimators 2 blocks: 2 on stock, 1 to be produced in external companies
- 4 Collimators 4 blocks: on stock, full renovation to be done (**CRITICAL**: SMALL EXPERIENCE)
- 3 Converters: technical specification on going
- 4 XBPF (beam profile monitors): vessel ordered, production in EA workshop

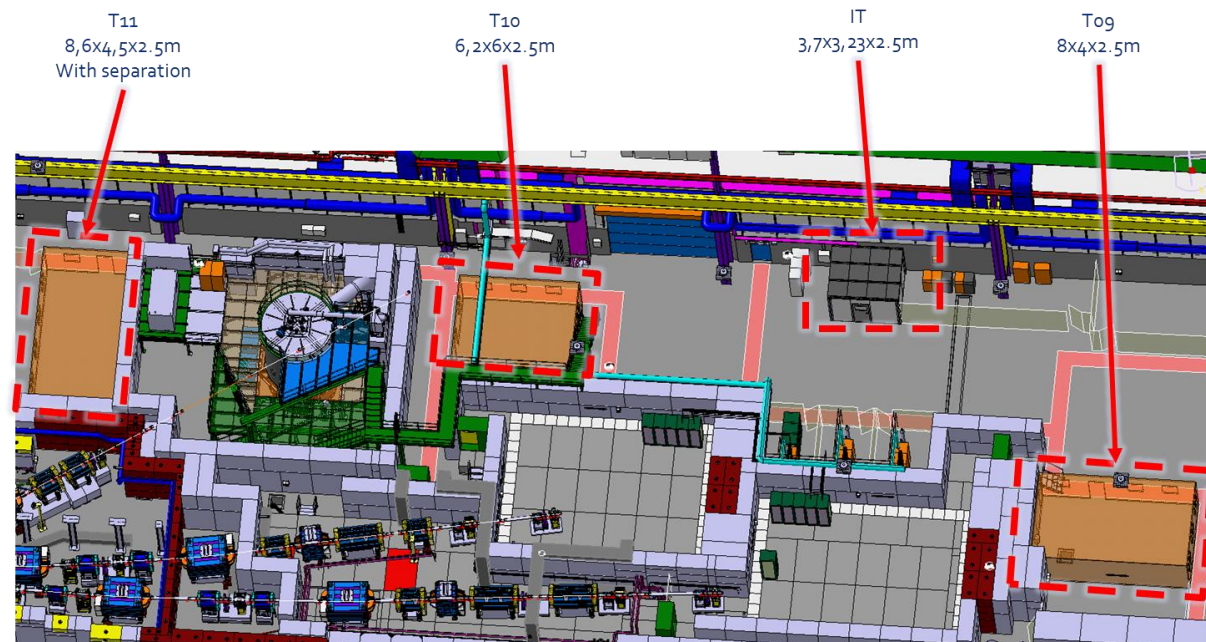


- 11 universal supports: in stock?
- 7 MAUVE supports: in stock

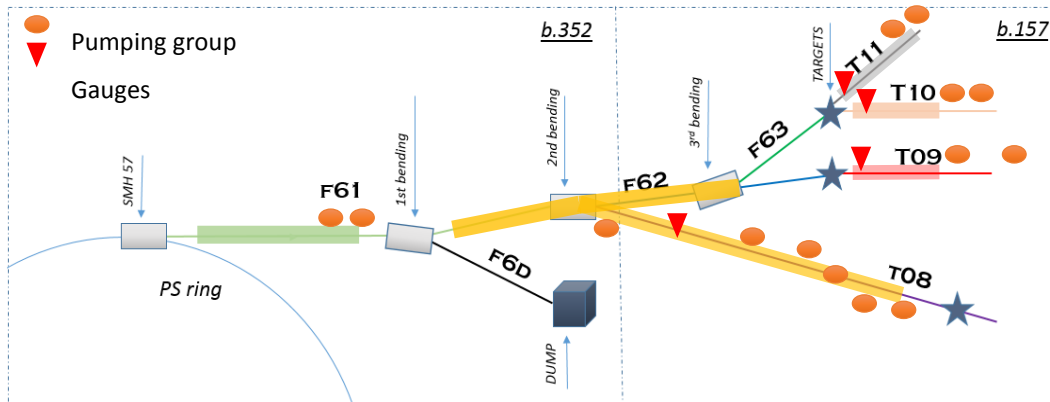
Control Rooms

4 control rooms to be installed:

- Offer received from STIC (150 KCHF)
- Procurement and installation will take around 12 months
- Installation foreseen July 2020
- CV and EL issues to be clarified



Vacuum System



Vacuum system divided in 5 sectors:

- Sector 1: from BTV in F61 until 1st bending, in green
- Sector 2: from 1st bending to 3rd bending in F62 and to IRRAD in To8, in yellow
- Sector 3: To9 line, in red
- Sector 4: T10 line, in pink
- Sector 5: T11 line, in grey

- **F61 + F62** vacuum needs evaluated → PRODUCTION STARTED in EN-EA workshop
EA Stock available to do F61-F62 vacuum + hippodrome chamber production in MME workshop
- **F63 – F6D** → no vacuum
- **To8, To9, T10, T11** → small modifications for vacuum needs proposed, approved by physic to be integrated
- **Pumping groups:** pumps and valves order to be done soon
- Production of new 12 new **cabinets for pumping group control** in EN-EA-AS due to end of November

Open Points

- **Second XSCI on T10 requested by BI?**
Confirmation by integration needed
- **New XION requested by IRRAD on To8**
Discussion with R2E people needed
- **BLM: 15 units requested (8 on target area and 7 on primary area)**
→ meeting needed with BI OP and EA

Thank you!

