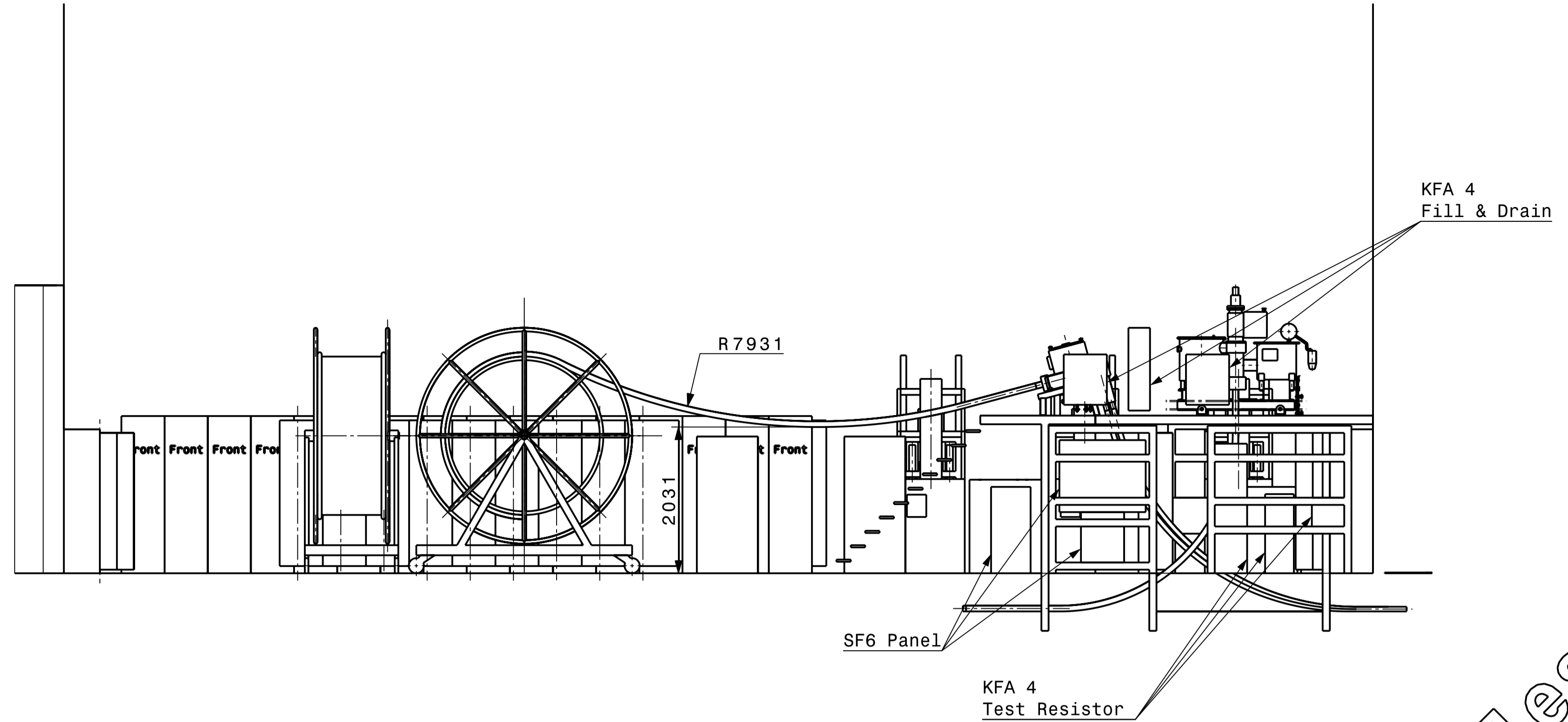


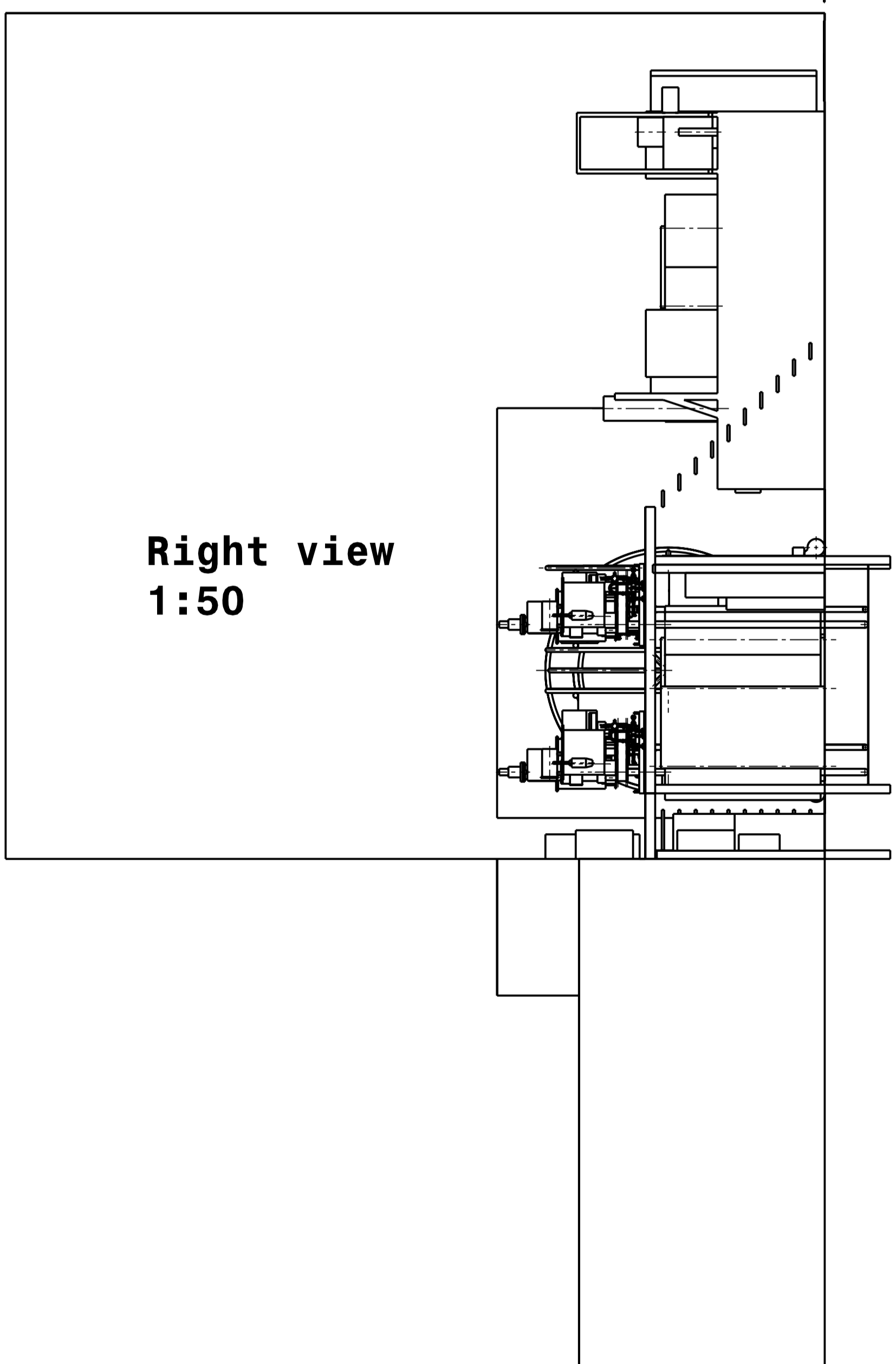
B
1:25

A-A
1:50

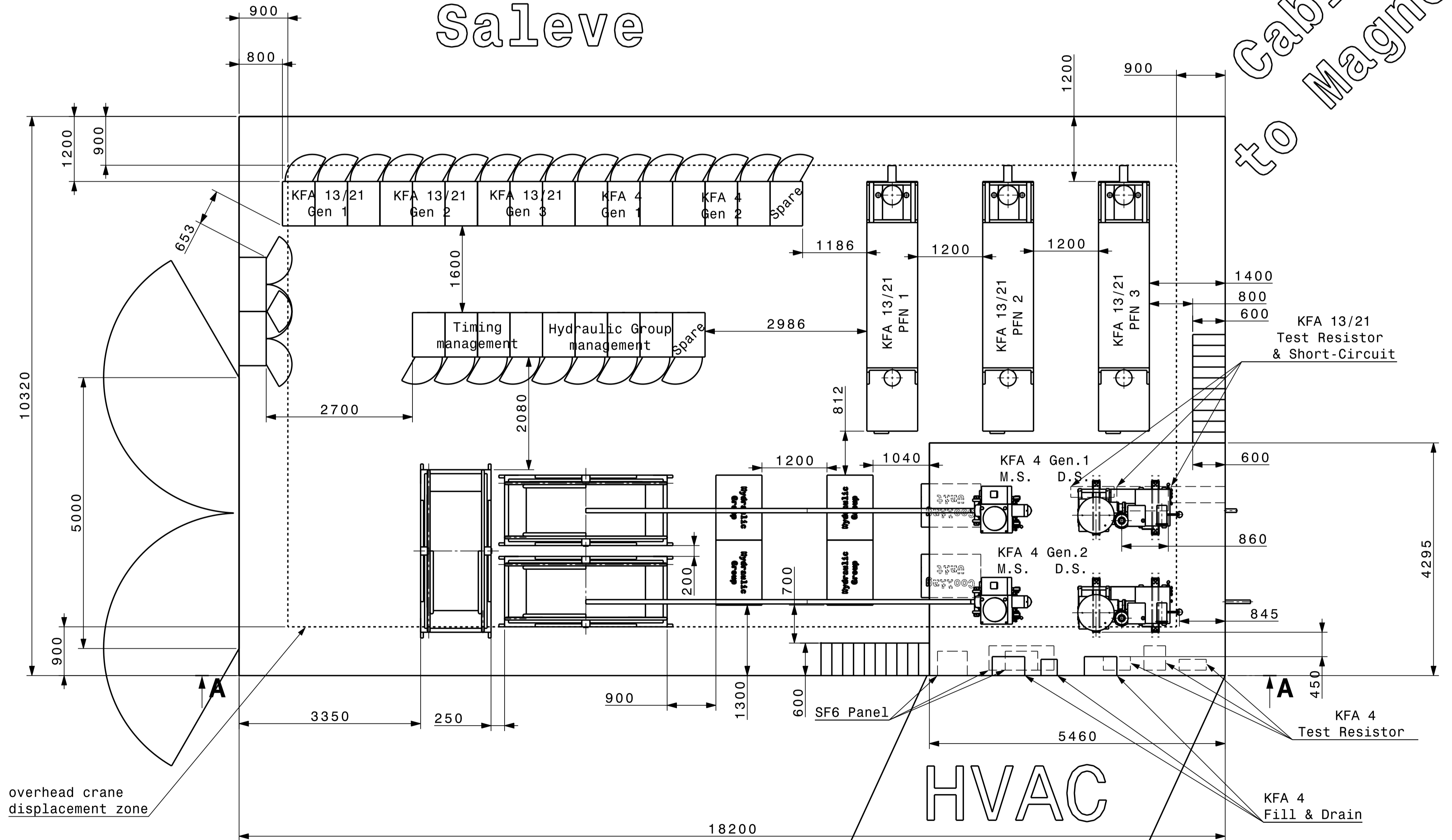


Saleve

Cables
to Magnets



Right view
1:50



1:50