

FCAL Workshop DESY 2019

Closeout

Wolfgang Lohmann

Statistics

19 presentations,

2 General

1 CEPC

4 LUXE

Hardware: 6

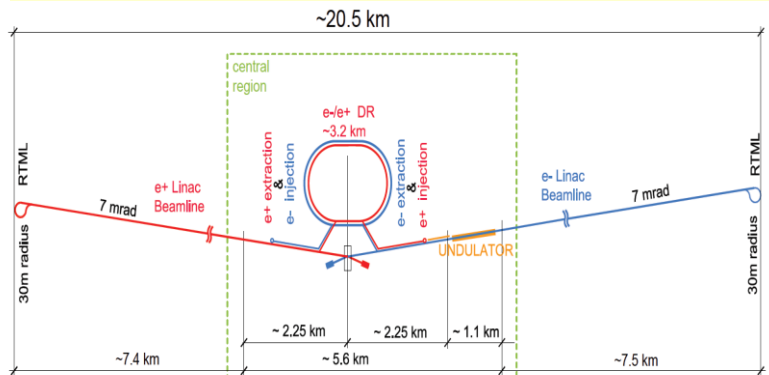
Software and simulations 6

general

Ties, DESY,
projects

FLC projects

- CALICE
- LCTPC
- Silicon tracker
- FCAL
- LUXE



Karsten, ILC

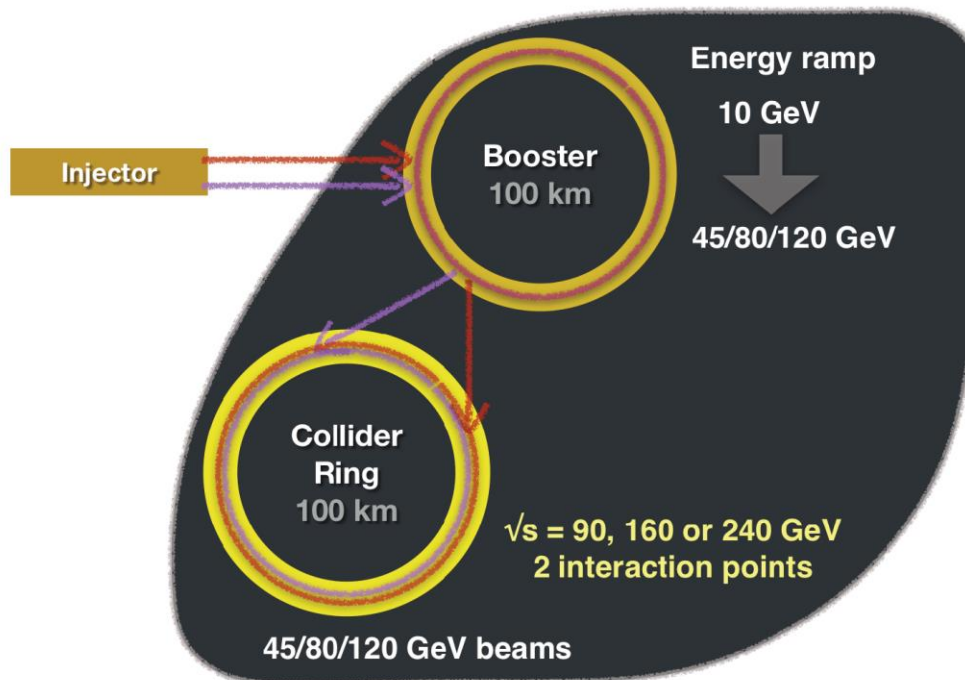
On the ILC:

- „We strongly support the Japanese initiative to realize, as an international project in Japan, the ILC as a "Higgs-Factory" with an initial center-of-mass energy of about 250 GeV.“
- „An energy of 250 GeV is regarded to be appropriate for an initial precision Higgs program. Concurrent running with the HL-LHC is highly desirable. Upgradeability to 500 GeV and beyond should be foreseen from the beginning.“

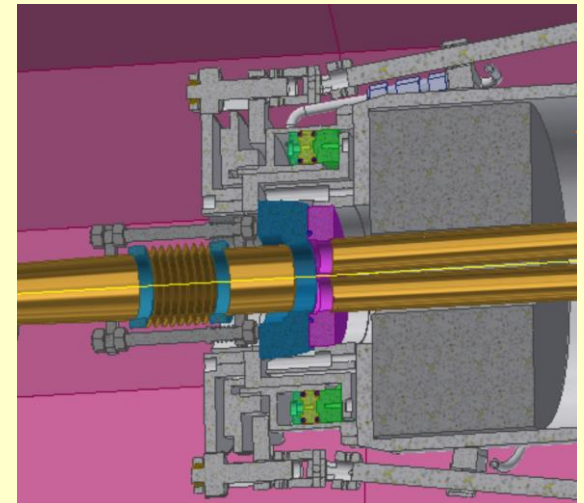
CEPC

Hongbo

MACHINE DESIGN

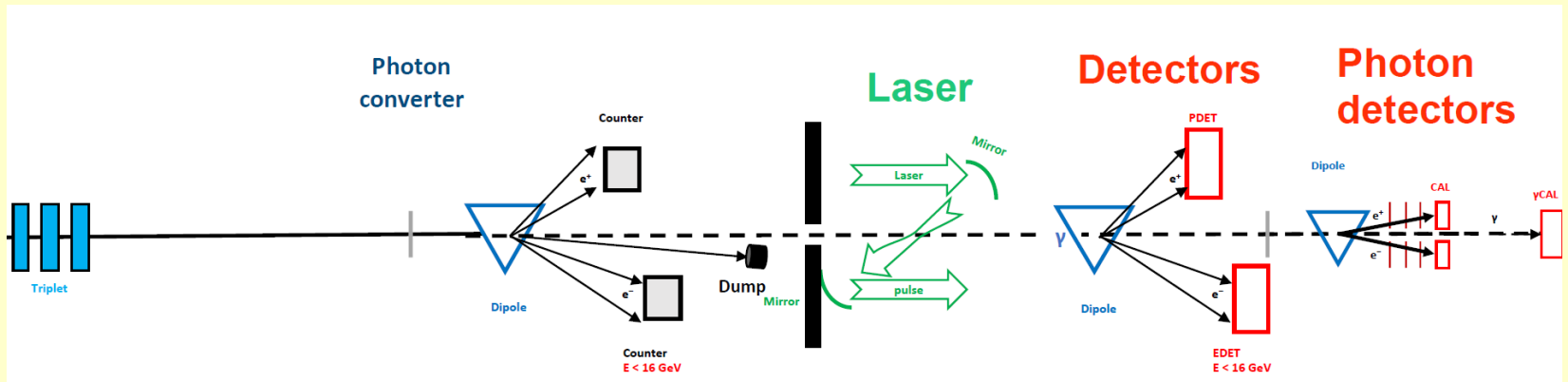


LumiCal and forward design



LUXE

Marina, Matthew, Sasha



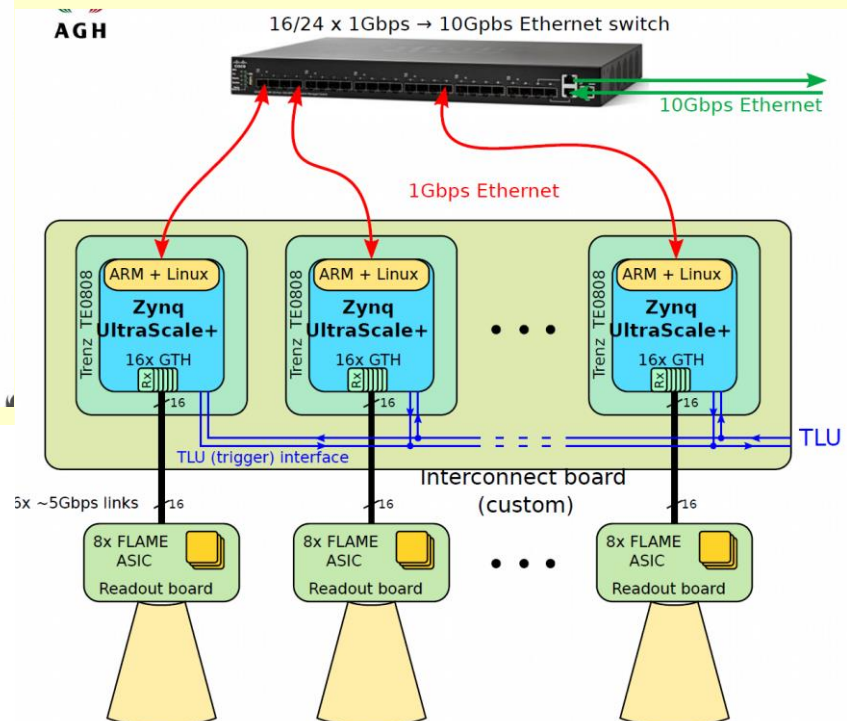
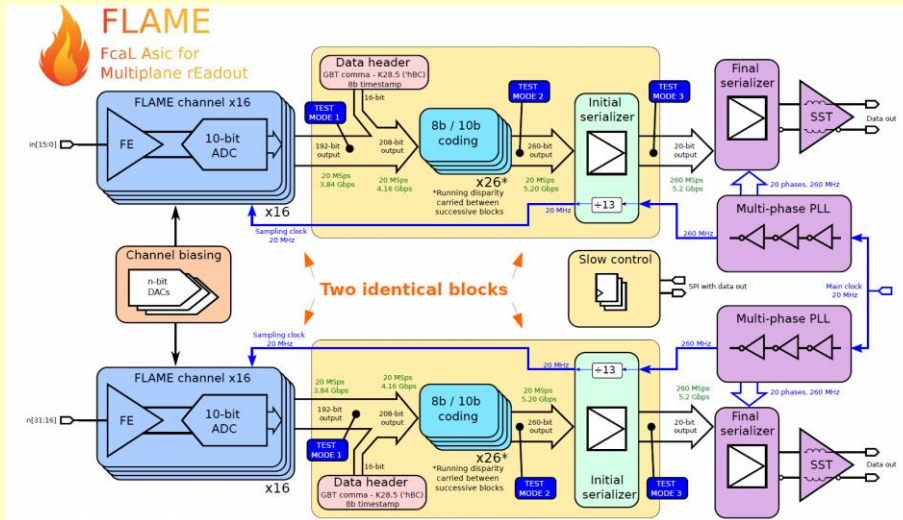
Currently studies ongoing to optimize the design, estimate performance, study background etc.

CDR in summer 2020

Hardware

Aleksandr, Angel, Anton, Jakub, Konrad, Hans, Mirek,

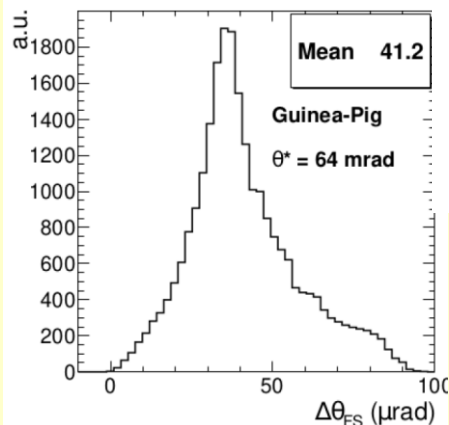
FLAME is alive



- DAQ designed
- APV adapters under work
- Absorber plates prepared
- ASIC for GaAs in progress
- New GaAs sensors for February test-beam considered

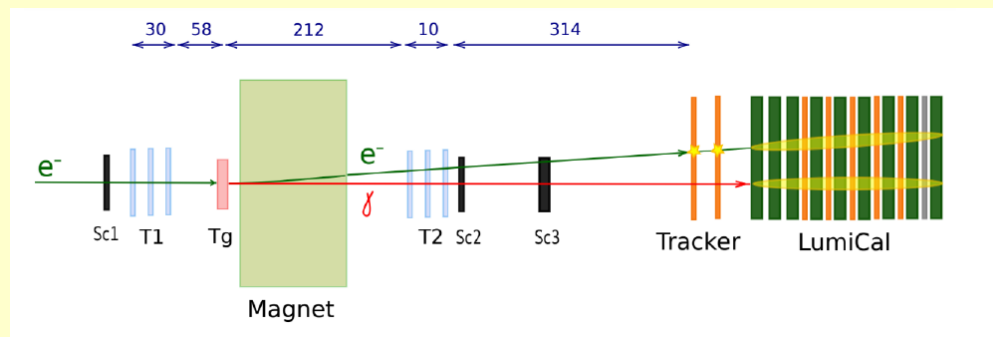
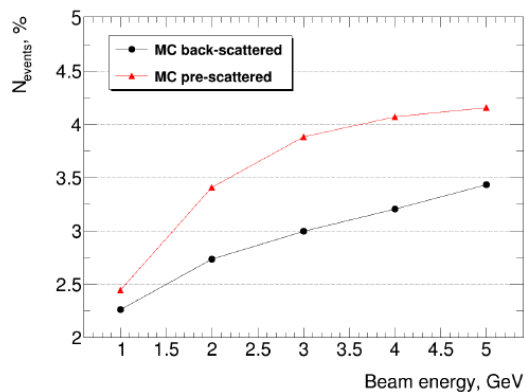
Software

Andre, Bohdan, Georgios, Ivan, Mykyta, Zhanna



Bias in the polar angle due to beam-beam effect at Fccee \rightarrow has impact on the LEP measurements of the numbers of neutrinos

Fraction of events with back-scattering:



There are still test-beam data from 2016 to be analysed!

closeout

Lets thank:

Sergey for the preparation of the workshop,

Andrea, Ibtisam for giving first class support

DESY for hosting

All the speakers for presentations of excellent results

Enjoy Hamburg! Have a nice return journey!