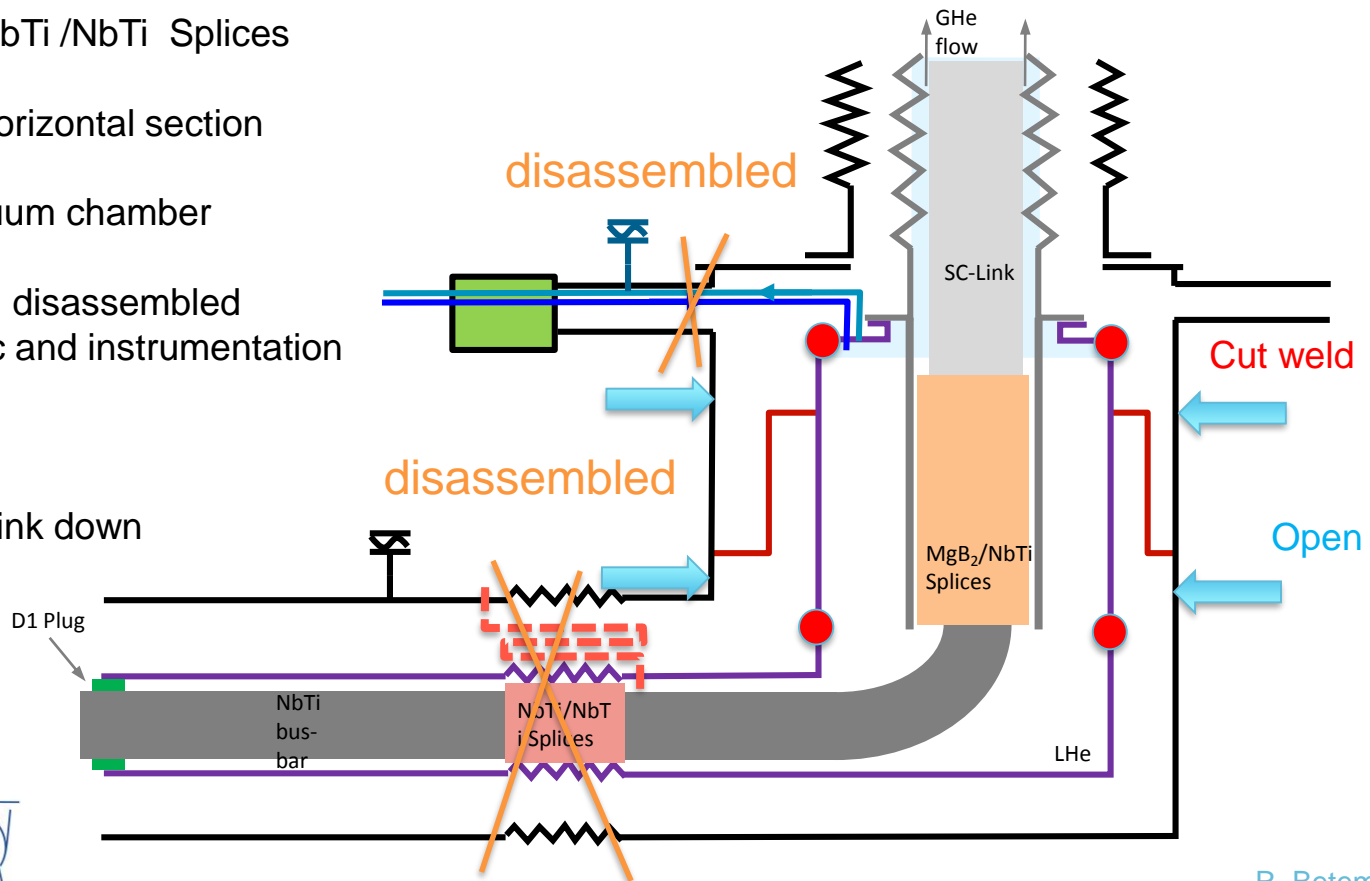
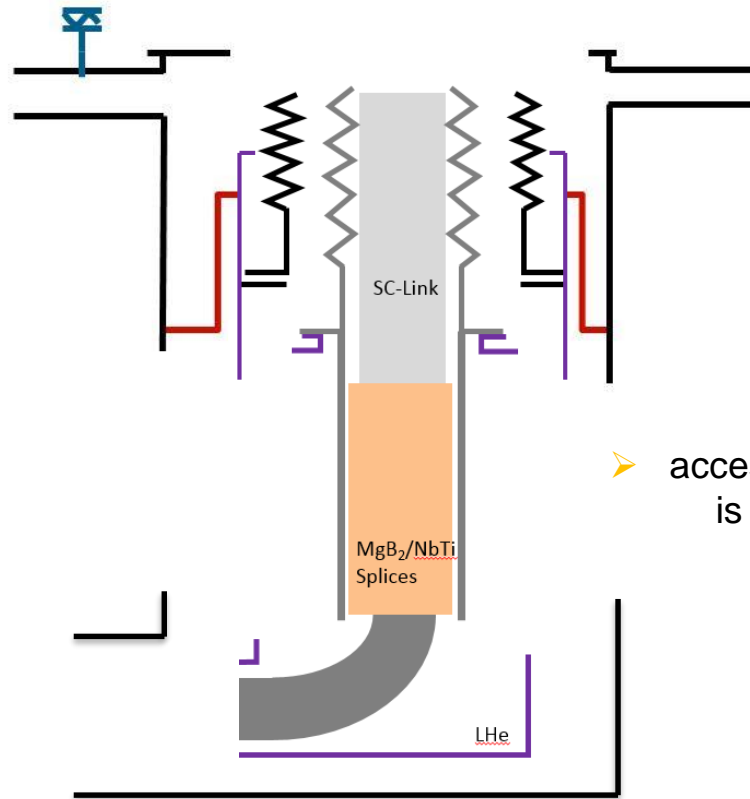


MgB₂ / NbTi splices access

- Remove the NbTi /NbTi Splices
- Remove the horizontal section
- Open the vacuum chamber
- Remove / cut/ disassembled all cryogenic and instrumentation
- Cut the weld
- Move the SC link down



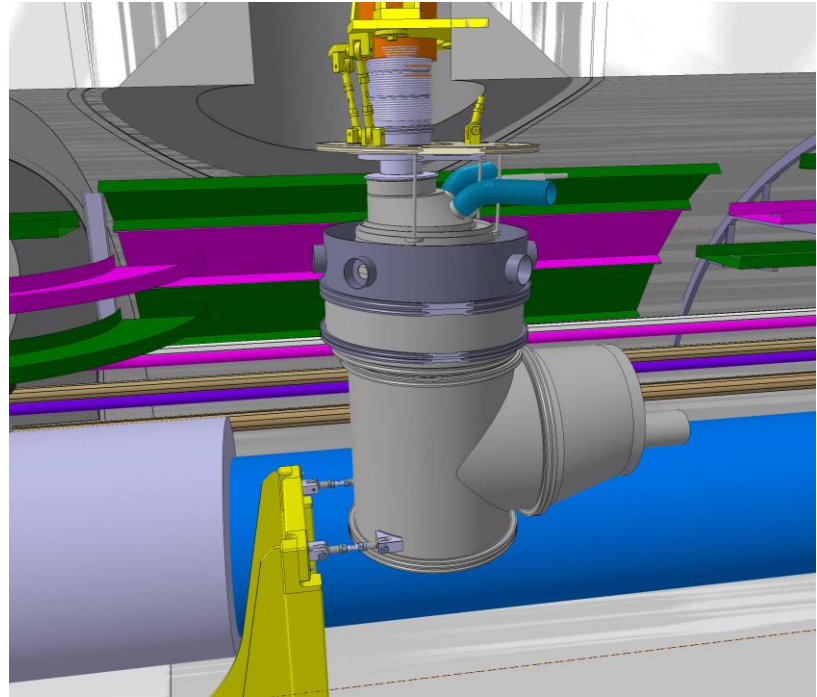
MgB₂ / NbTi splices access



➤ access to the splices MgB₂/NbTi is possible.

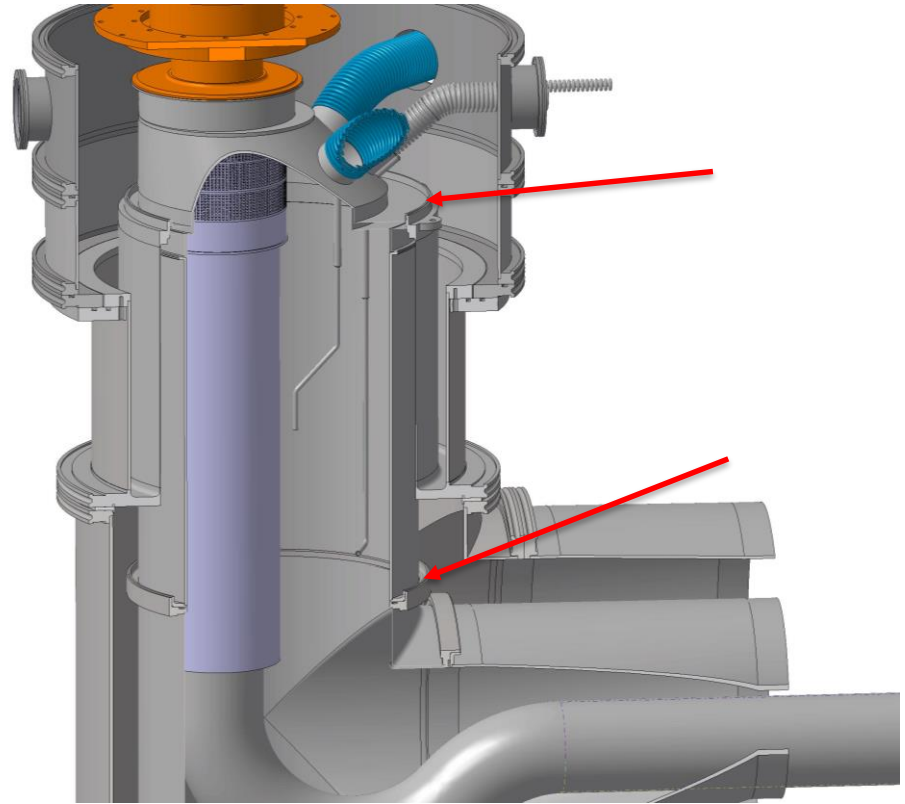
MgB₂ / NbTi splices access

- Remove the NbTi /NbTi Splices
- Remove the horizontal section
- Open the vacuum chamber
- Remove / cut/ disassembled all cryogenics and instrumentations



MgB₂ / NbTi splices access

- Slide the low vacuum chamber
- Cut the welds top and down



MgB₂ / NbTi splices access

- Move down the SC link through the DFX
- an access to the splices MgB₂/NbTi is possible.

