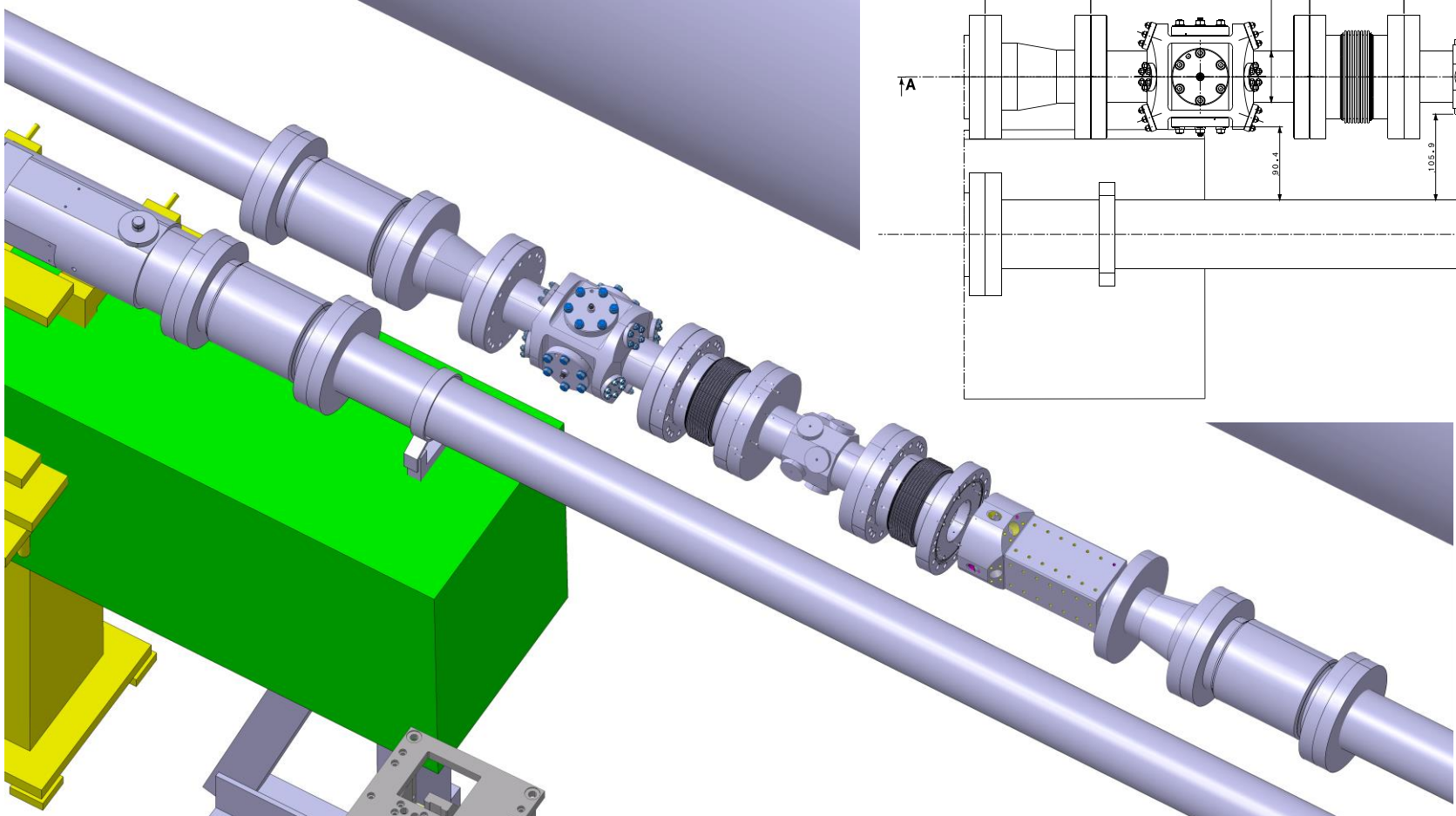
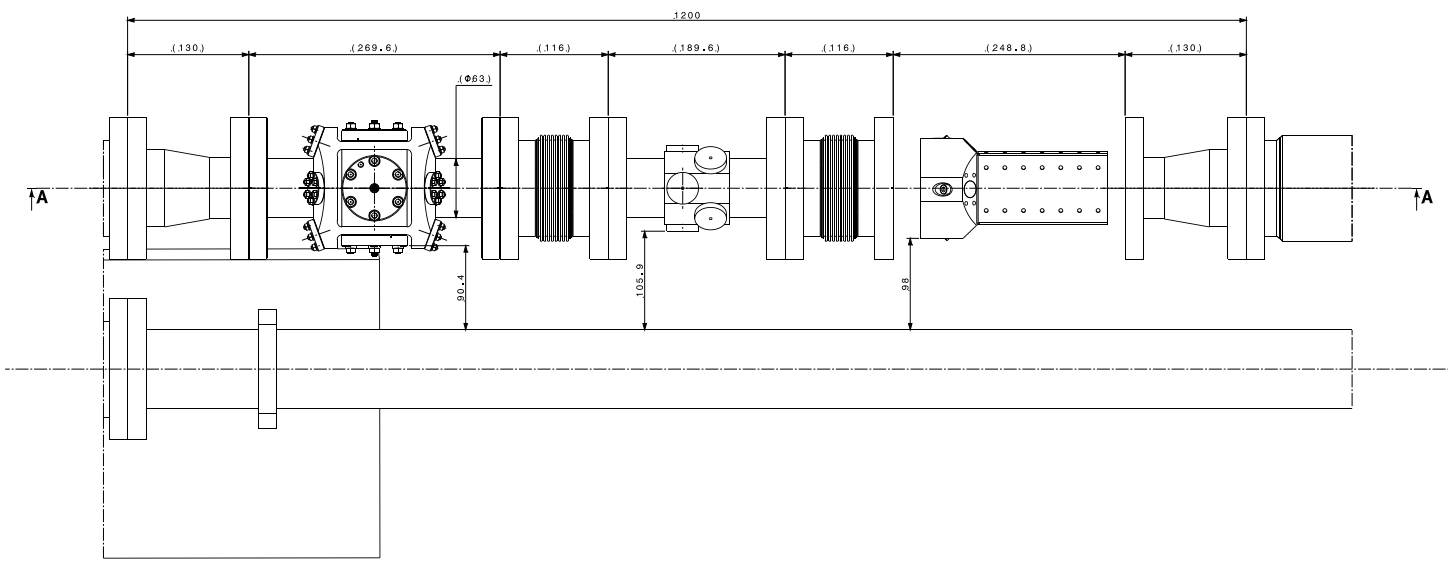
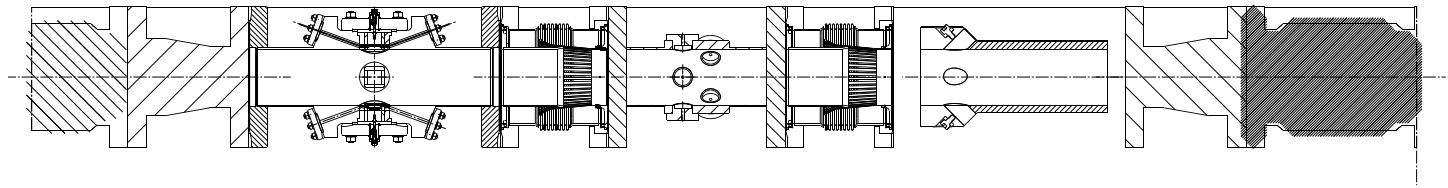


# Replacement of BQK – Q5/Q6 @IP4

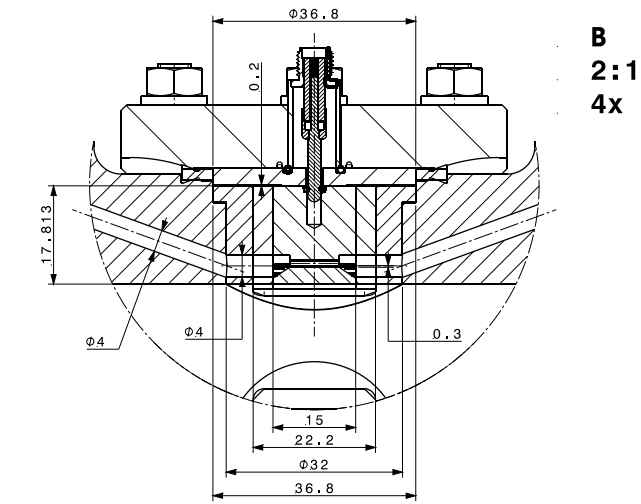
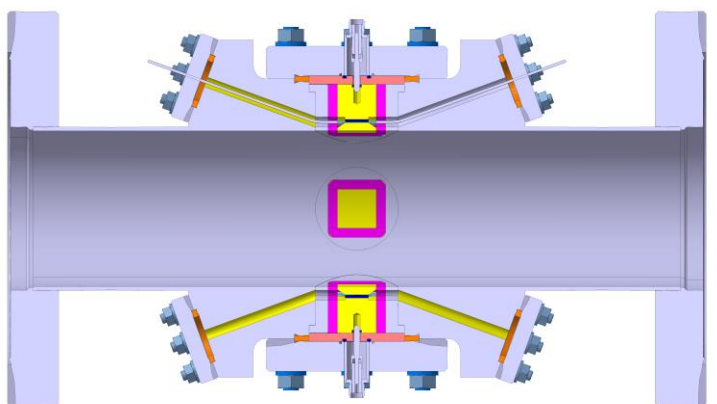
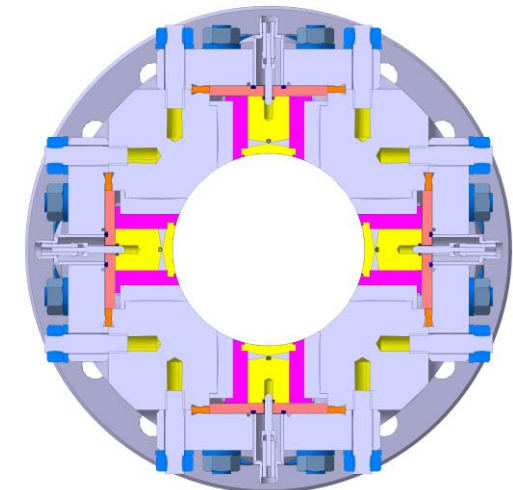
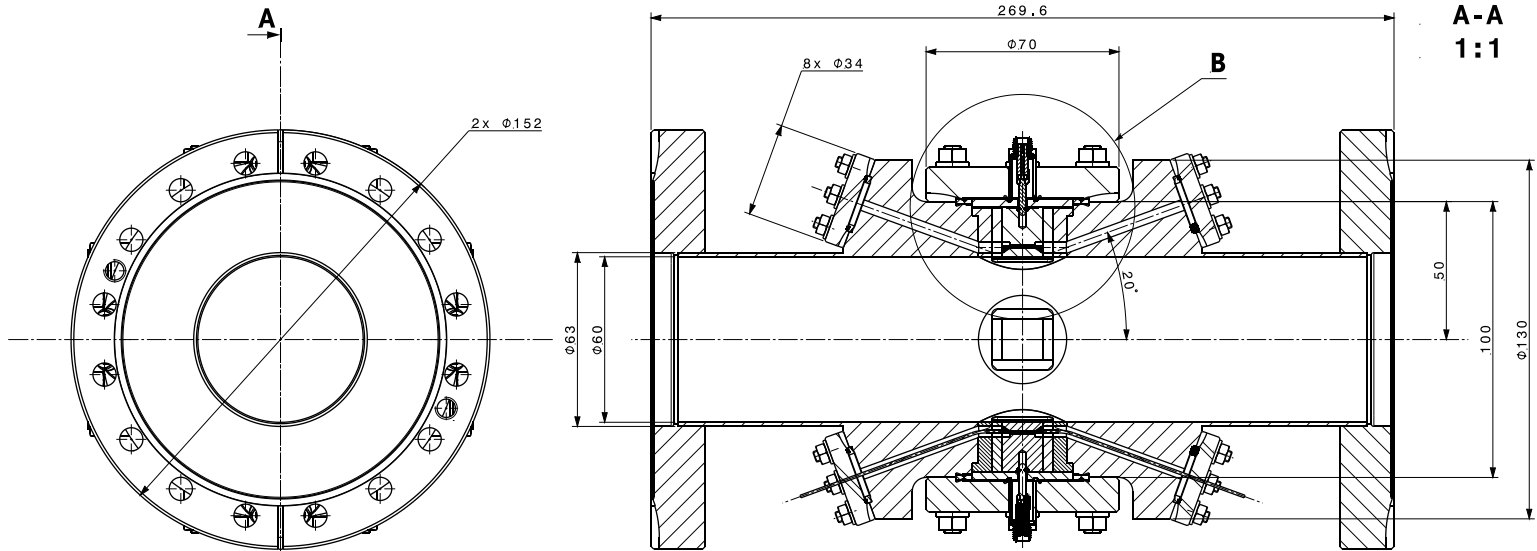
For aperture and impedance checks with ABP

### 3 monitors

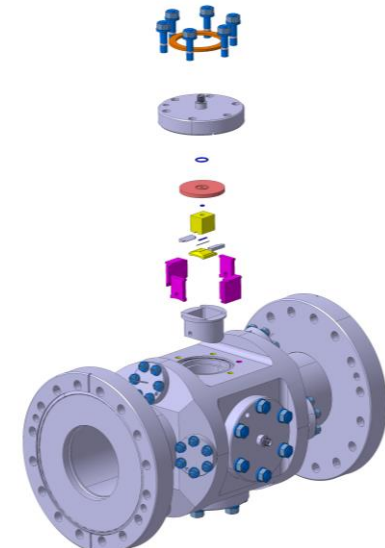
- EO-BPM for crabbing
- QPU for emittance meas.
- Cherenkov Monitor for Longitudinal Meas.



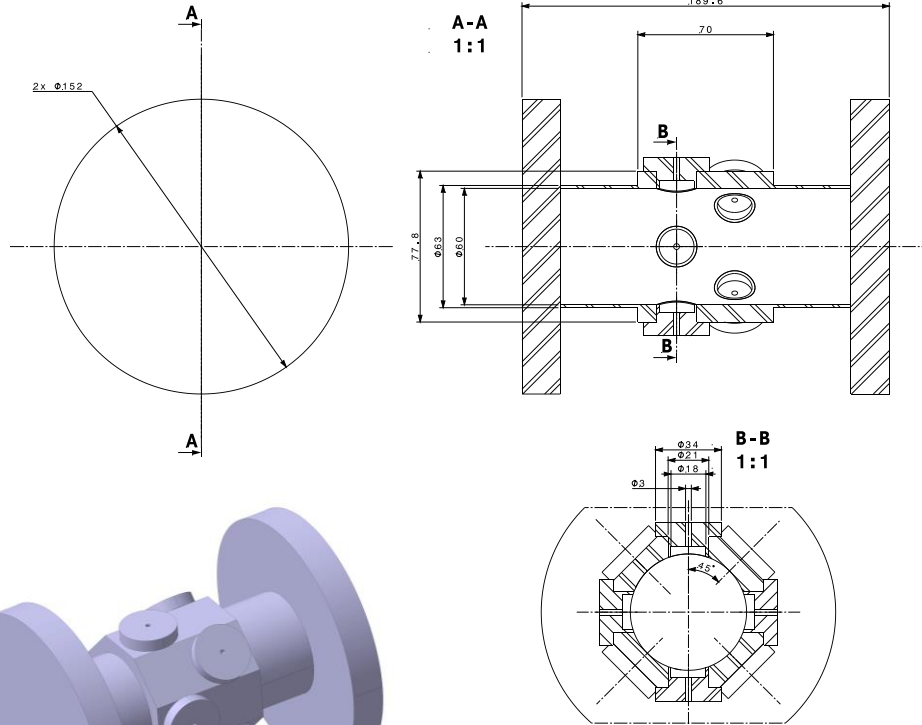
# EO-BPM



**B**  
**2:1**  
**4x**



# QPU – on movers +/- 2mm in H/V



# CChDR -

