

Normal shutdown maintenance on the cooler

- Collector & magnet cooling circuits, power connections...

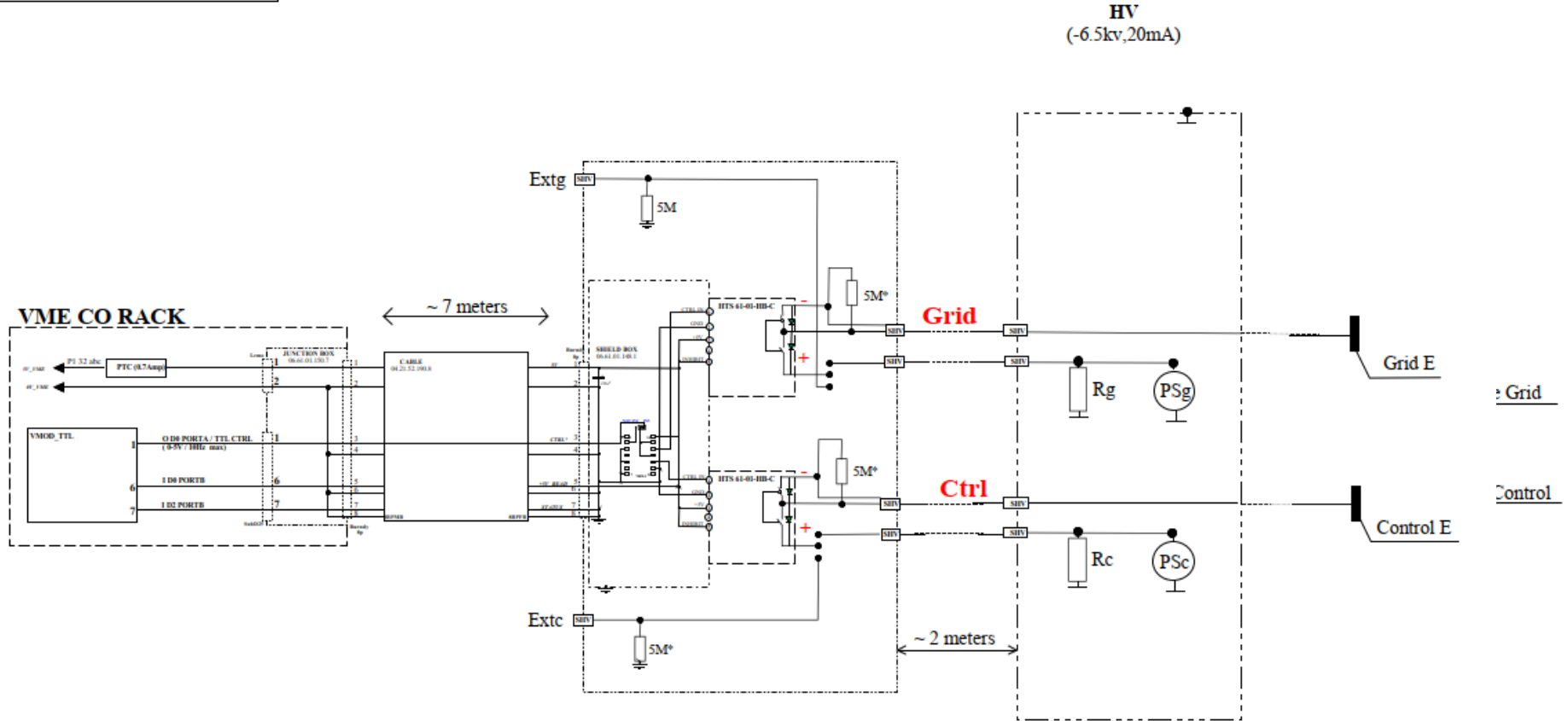
Check the GFA modulation of cathode and grid power supplies

Re-install the coupling transformer for grid electrode modulation

New faster switching under development

- Tests to be made when the cooler can be switched on (2020?)
- If successful could also be used to modulate the beam intensity

**LEIR ECOOLER**  
**e- BEAM CONTROL**  
**HTS PUSH PULL**  
**AF 2019**



$R_g = 500 \text{ kOhms}$   
 $R_c = 500 \text{ kOhms}$   
 $PS_c = +/- 2kV +/- 10mA$   
 $PS_g = 6.5kV 20mA$   
 \* 5M / 7,5kV RS:296-0566