



*East Hall under construction - 1962*

# 2<sup>nd</sup> EN-EA East Area Equipment Review Collimators planning. <https://indico.cern.ch/event/830225/>

S. Girod EN-EA

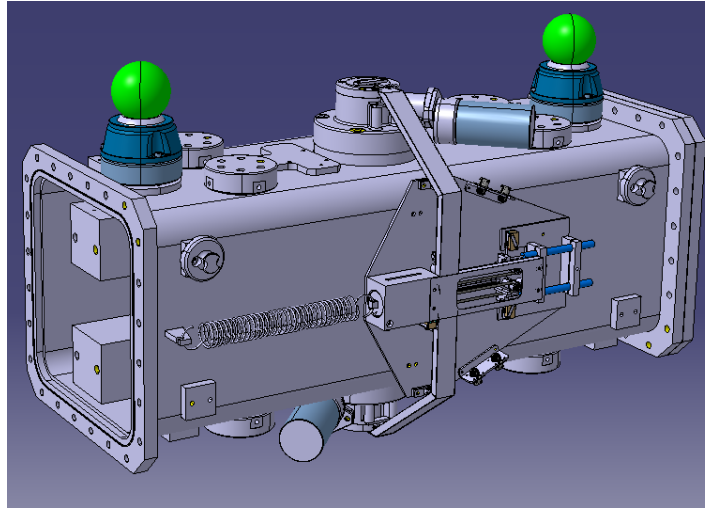


ENGINEERING  
DEPARTMENT

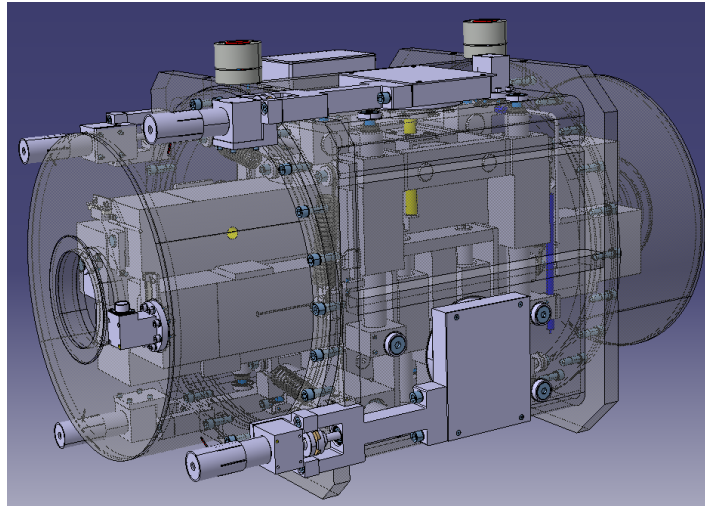


# Collimators in East area

- 2 jaws collimators:
  - 2xXCSH
  - 1xXCSV

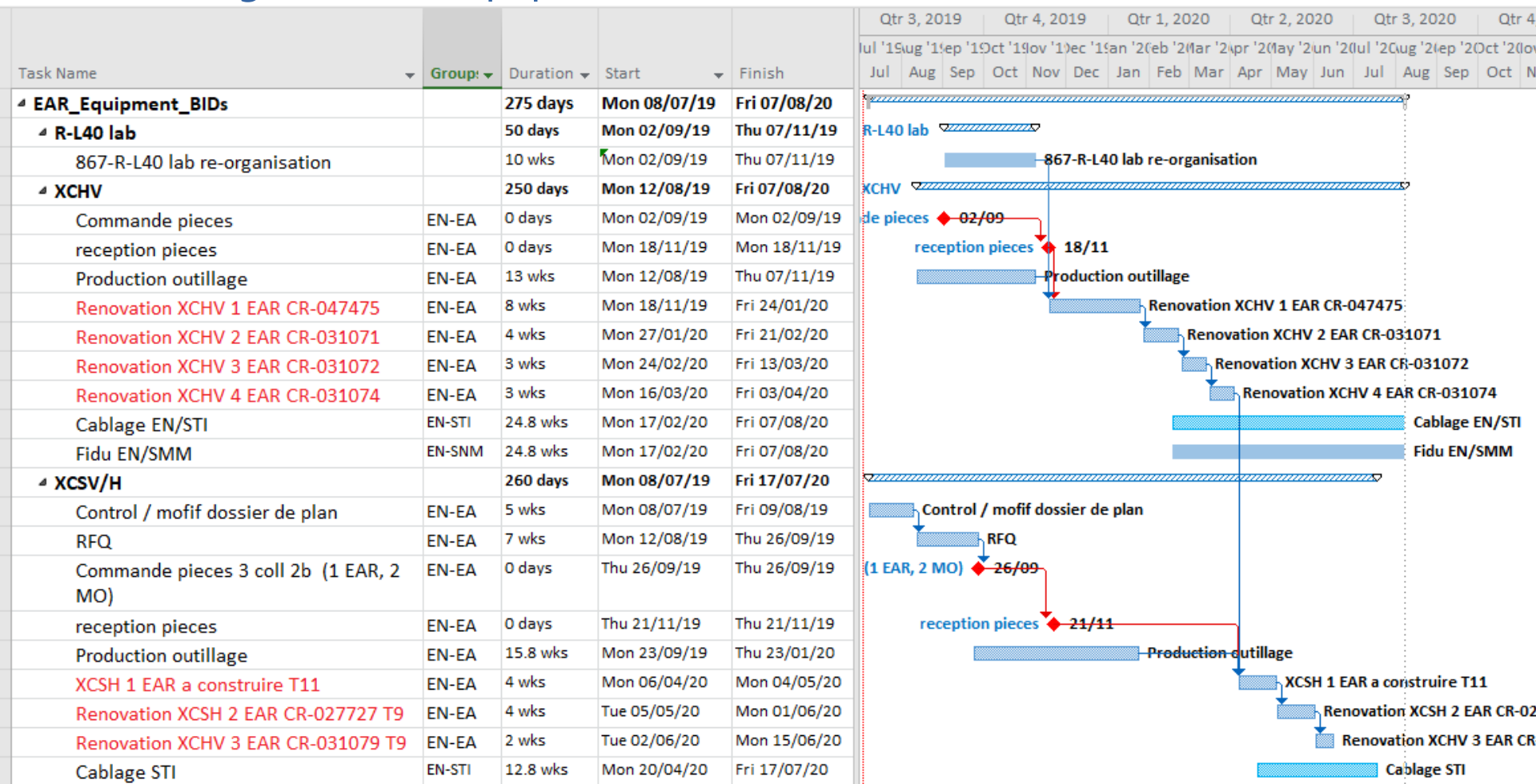


- 4 jaws collimators:
  - 4xXCHV



# Collimators renovation planning

## Planning LS2\_EA\_equipment\_BIDs



# Divers

---

- 10 universal tables ordered → delivery Sep 2019
- 3 tanks XBPF with XBPF flanges ordered → delivery Nov 2019
  - 6 flanges DN219 to be send to the manufacturer (via P. Frichot)
- 1 tank XBPF with flanges available at 867/R-L40

