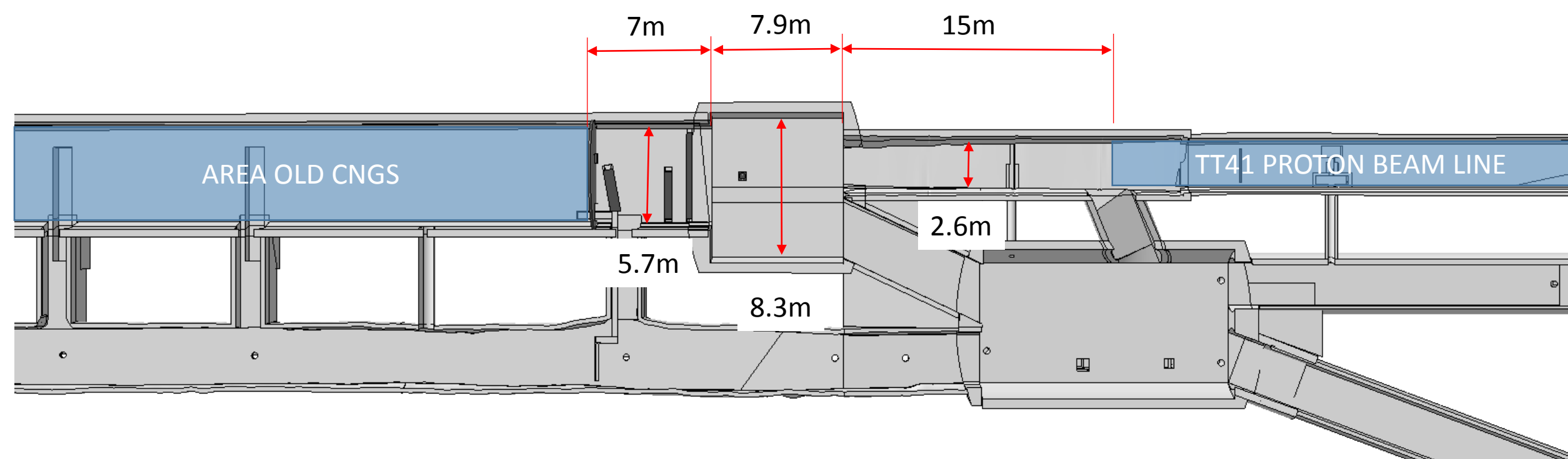
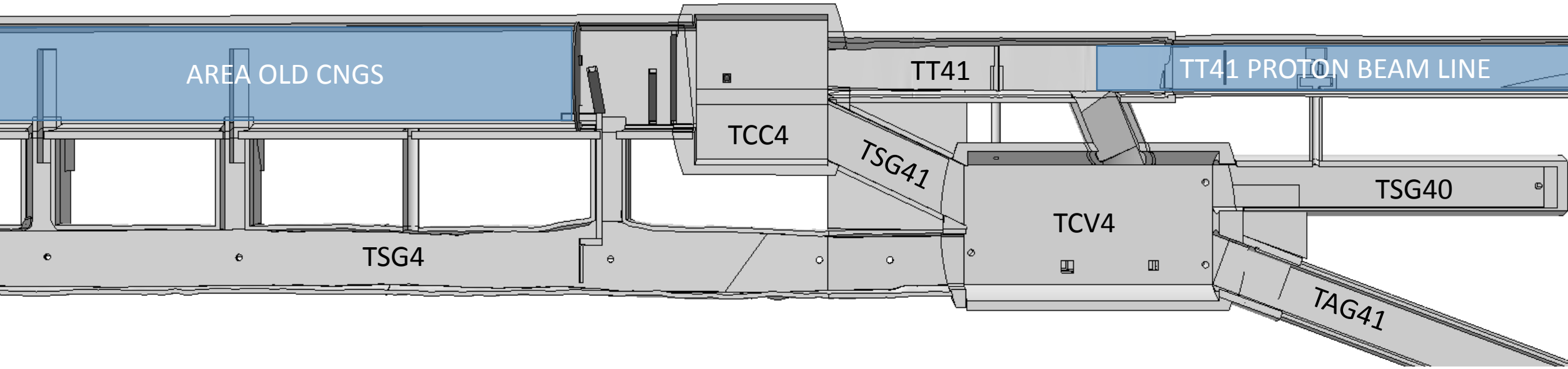
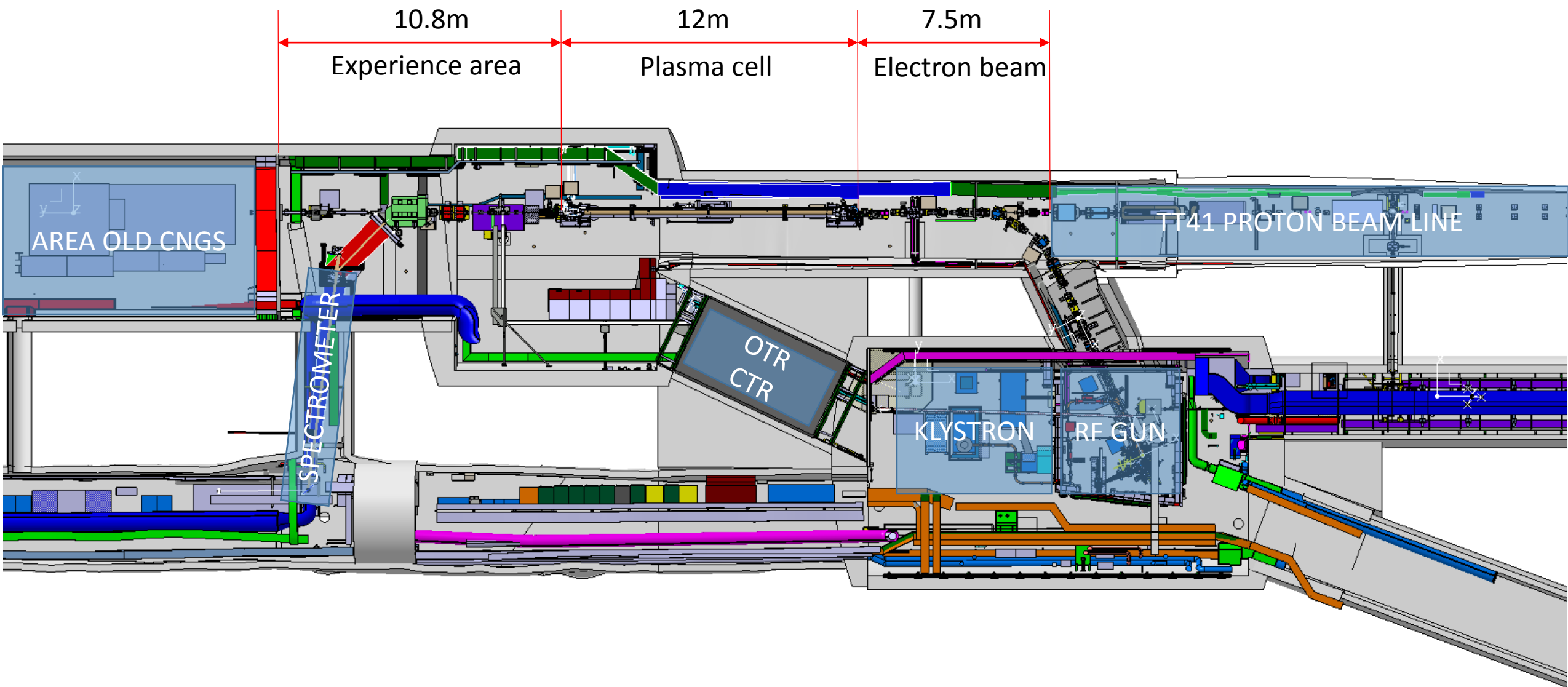
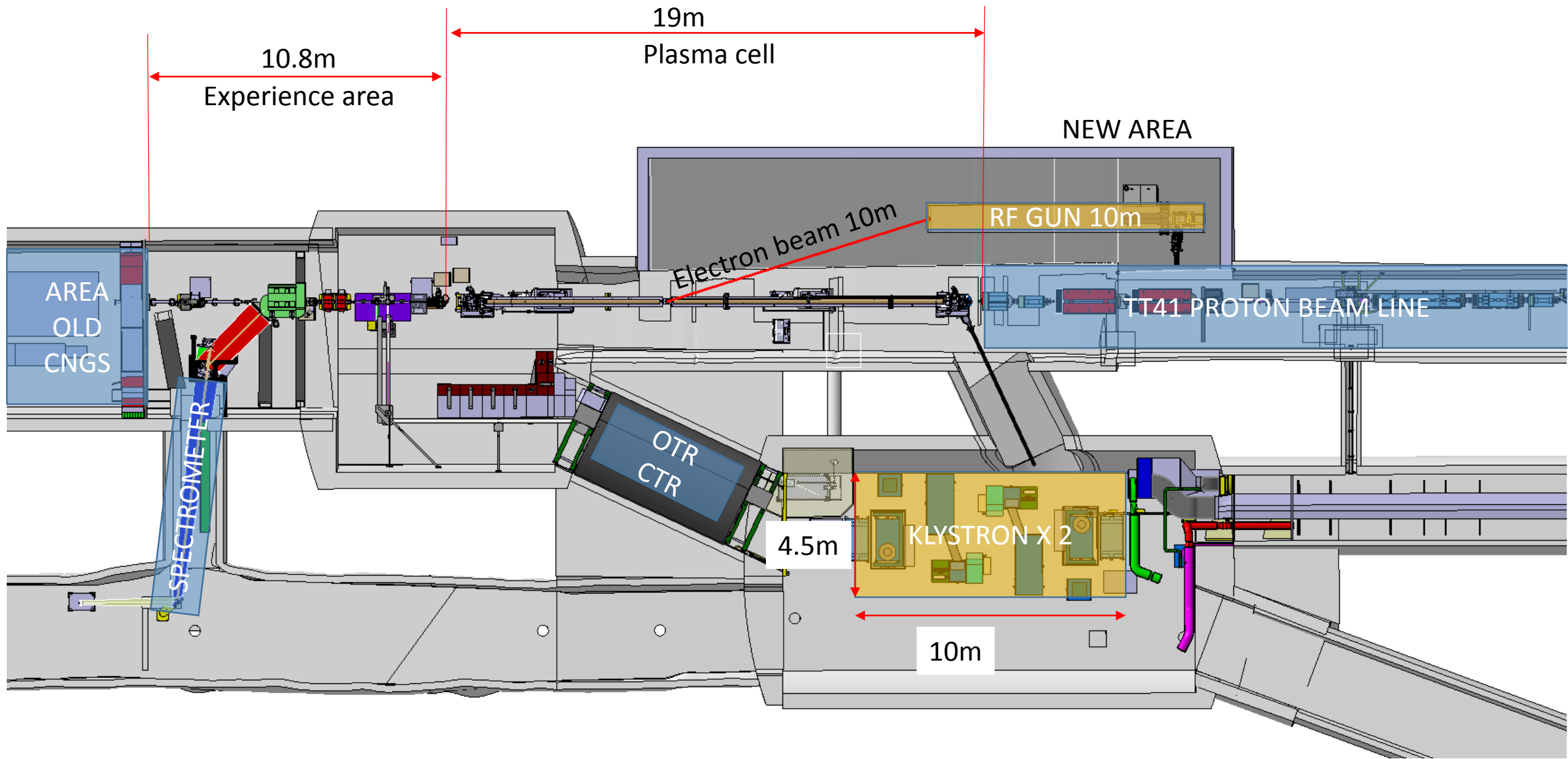


AWAKE RUN 2 LOCALISATION

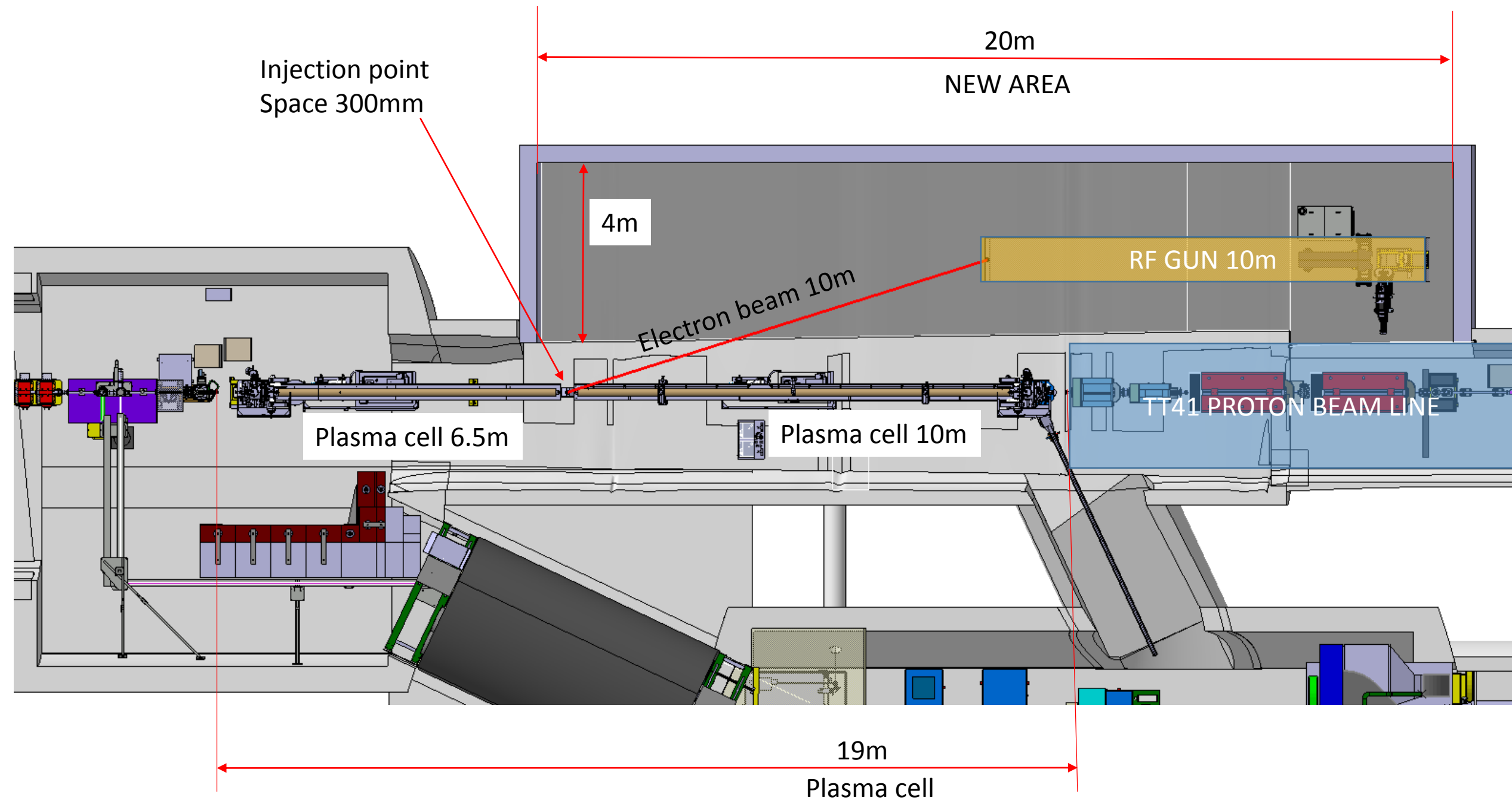




CURRENT SITUATION



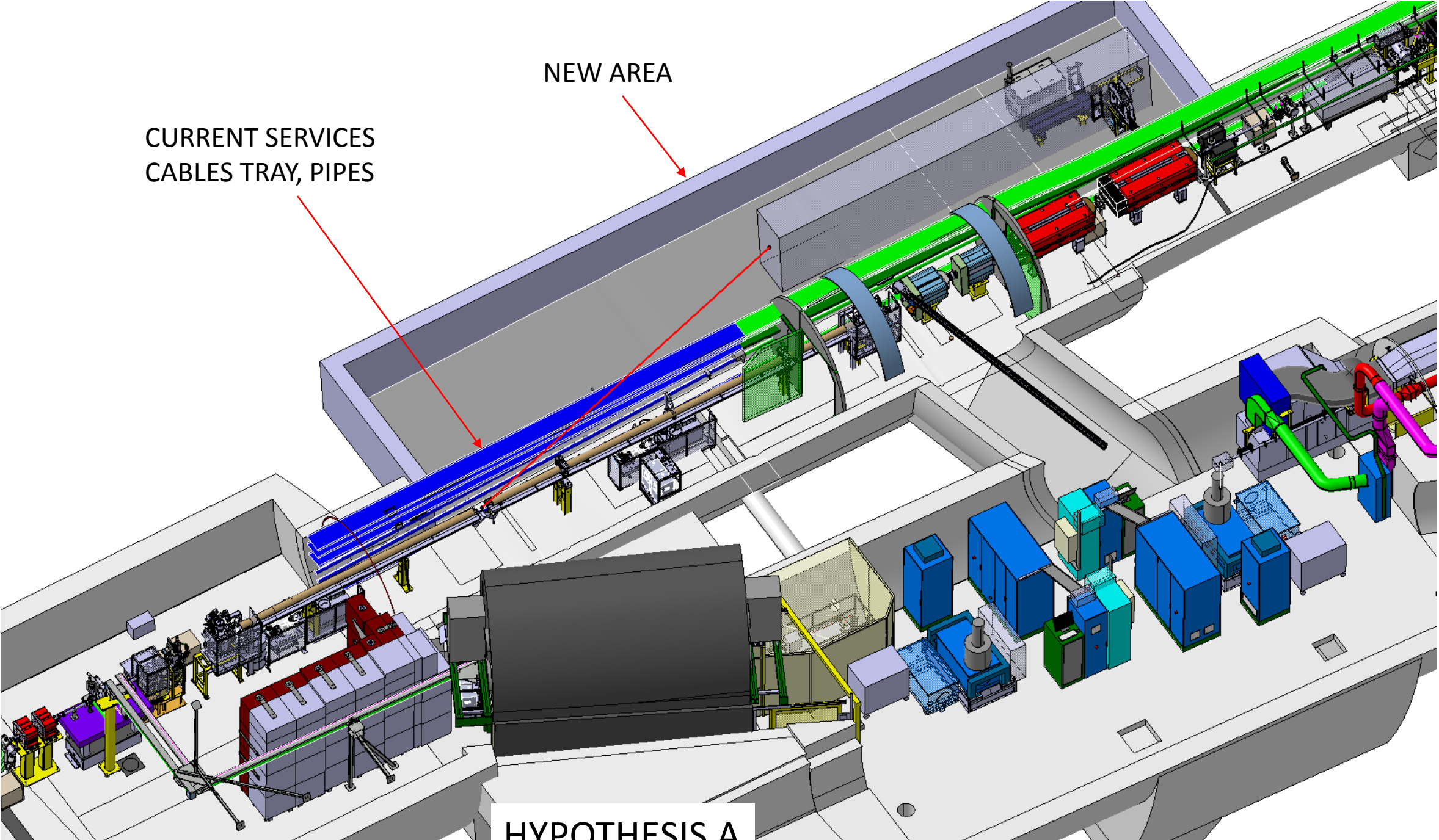
HYPOTHESIS A



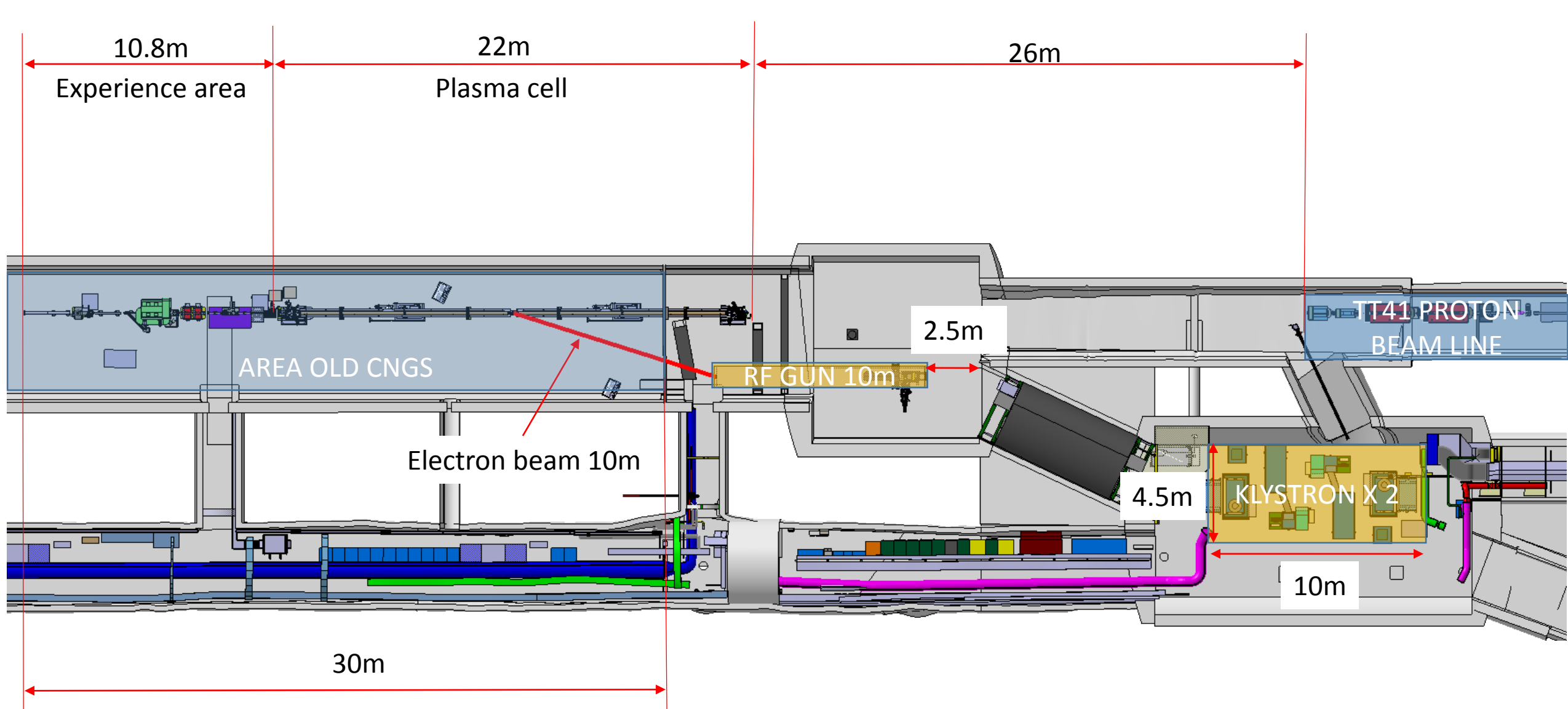
HYPOTHESIS A

NEW AREA

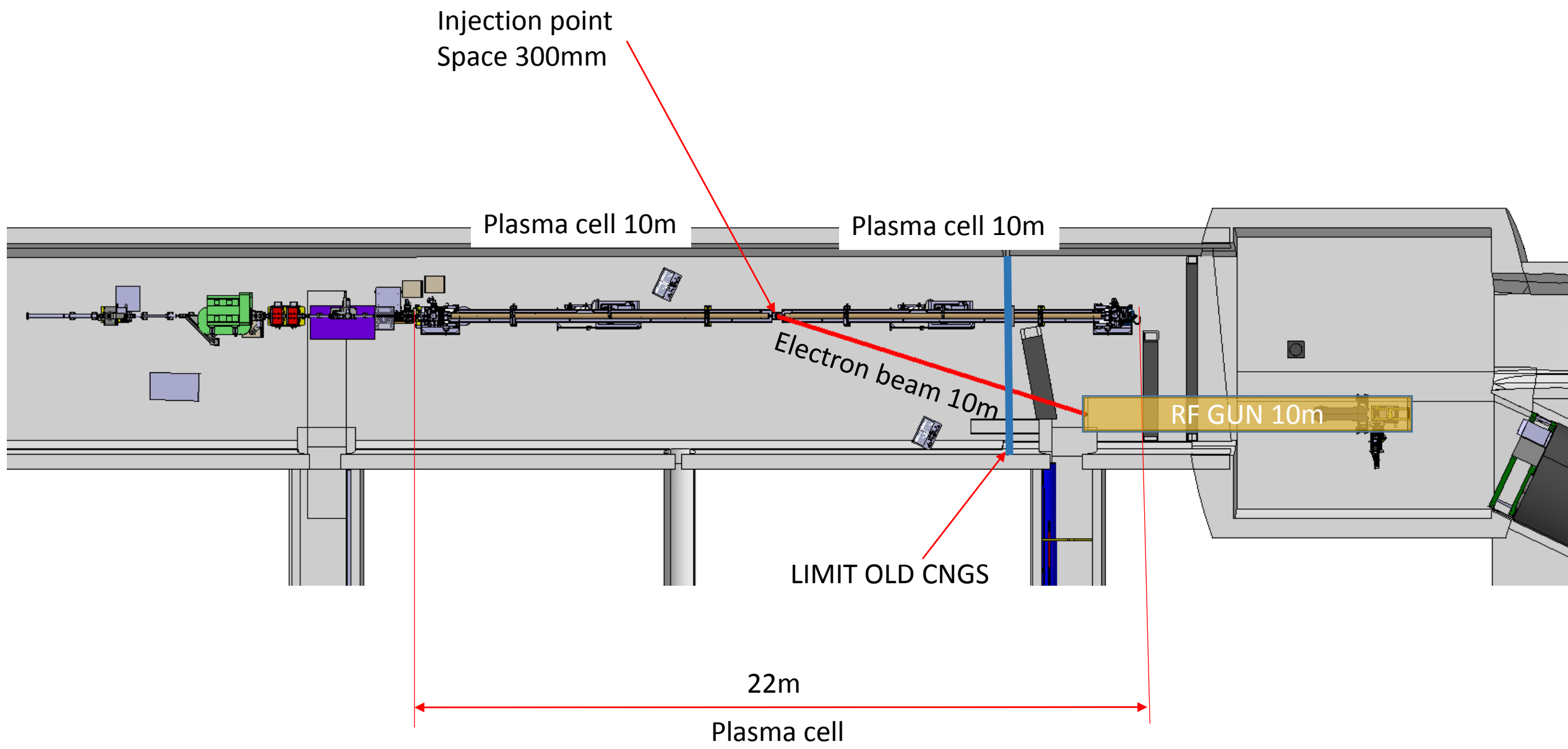
CURRENT SERVICES
CABLES TRAY, PIPES



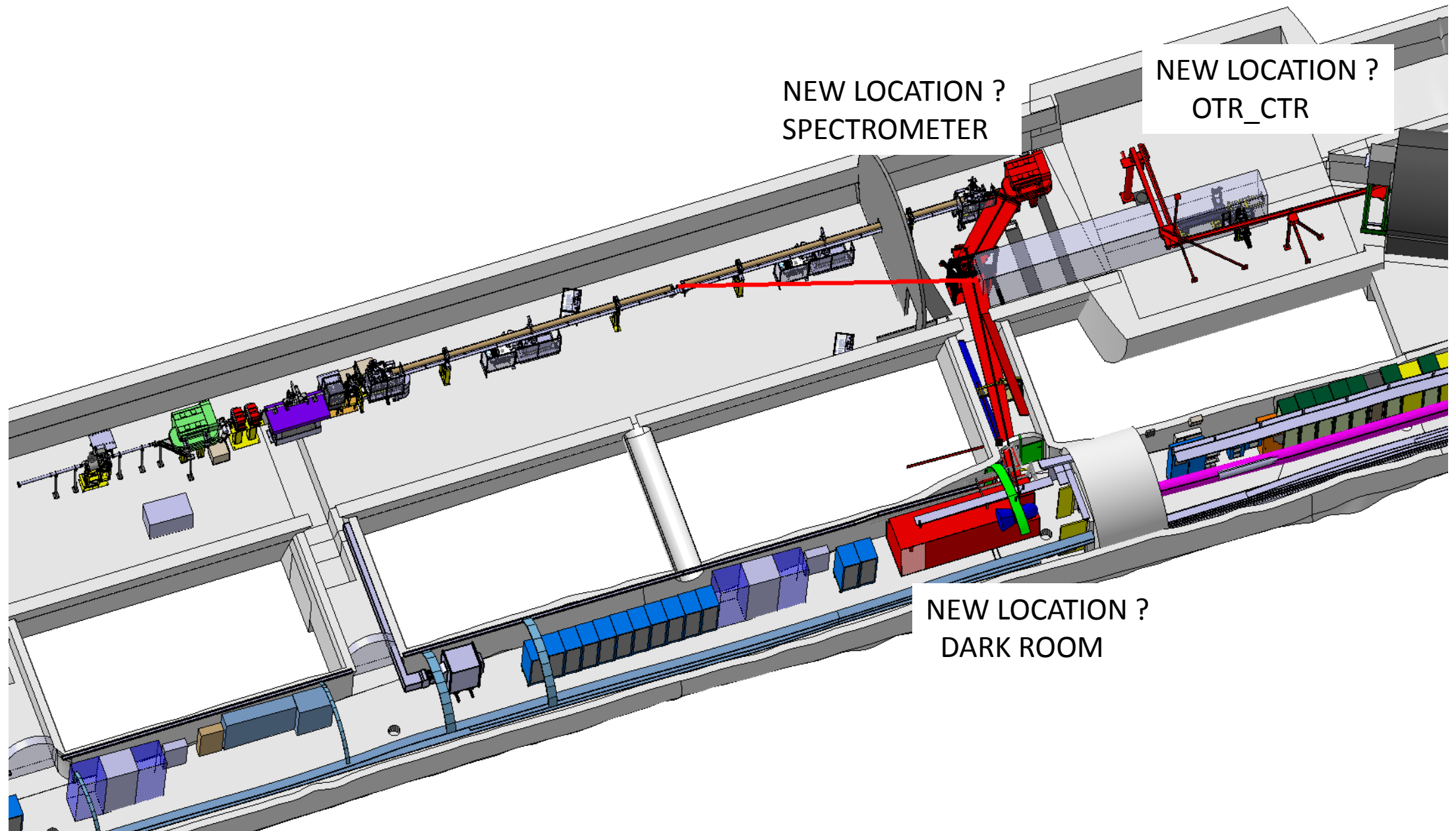
HYPOTHESIS A



HYPOTHESIS B



HYPOTHESIS B

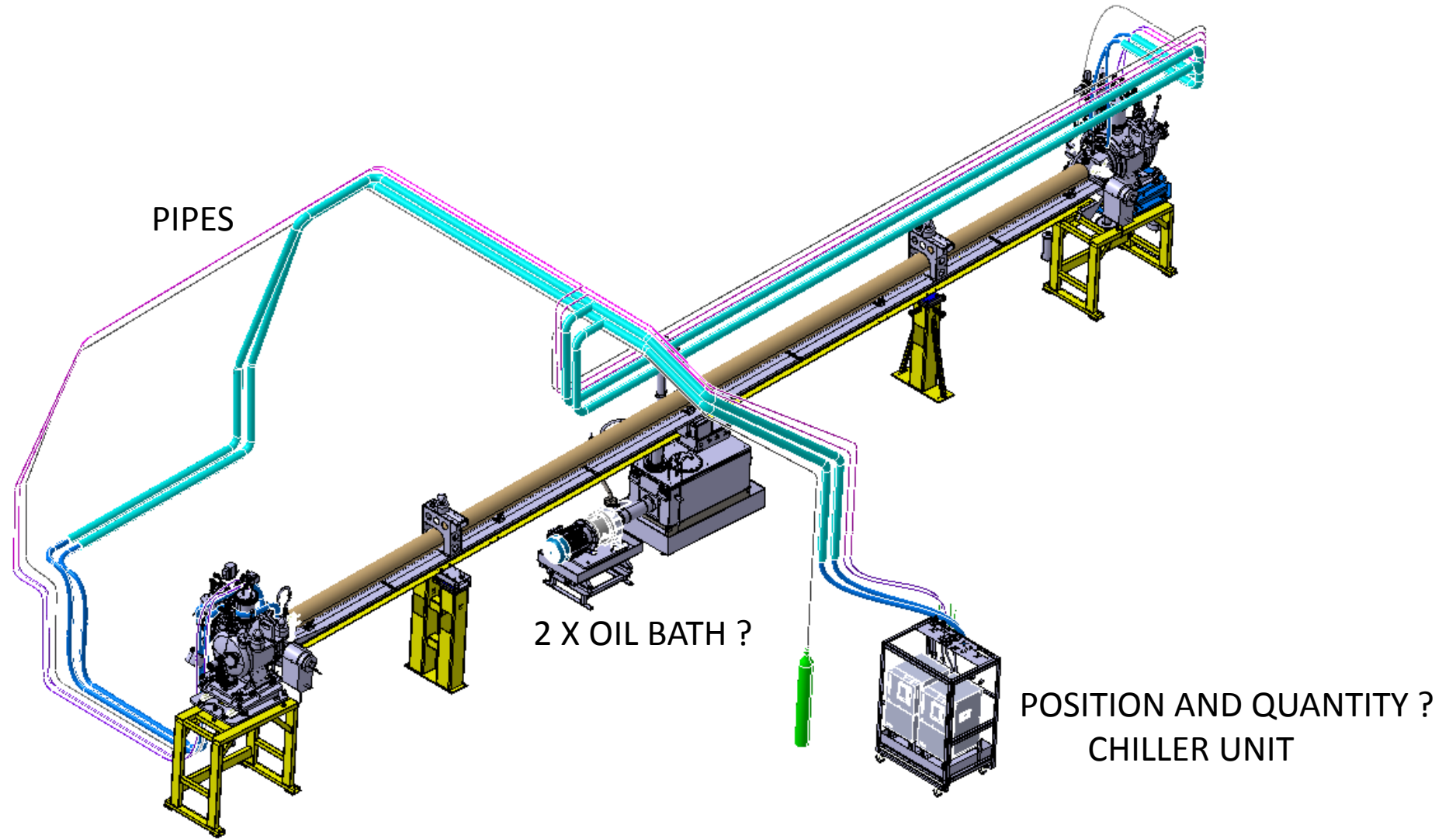


NEW LOCATION ?
SPECTROMETER

NEW LOCATION ?
OTR_CTR

NEW LOCATION ?
DARK ROOM

HYPOTHESIS B



HYPOTHESIS A and B