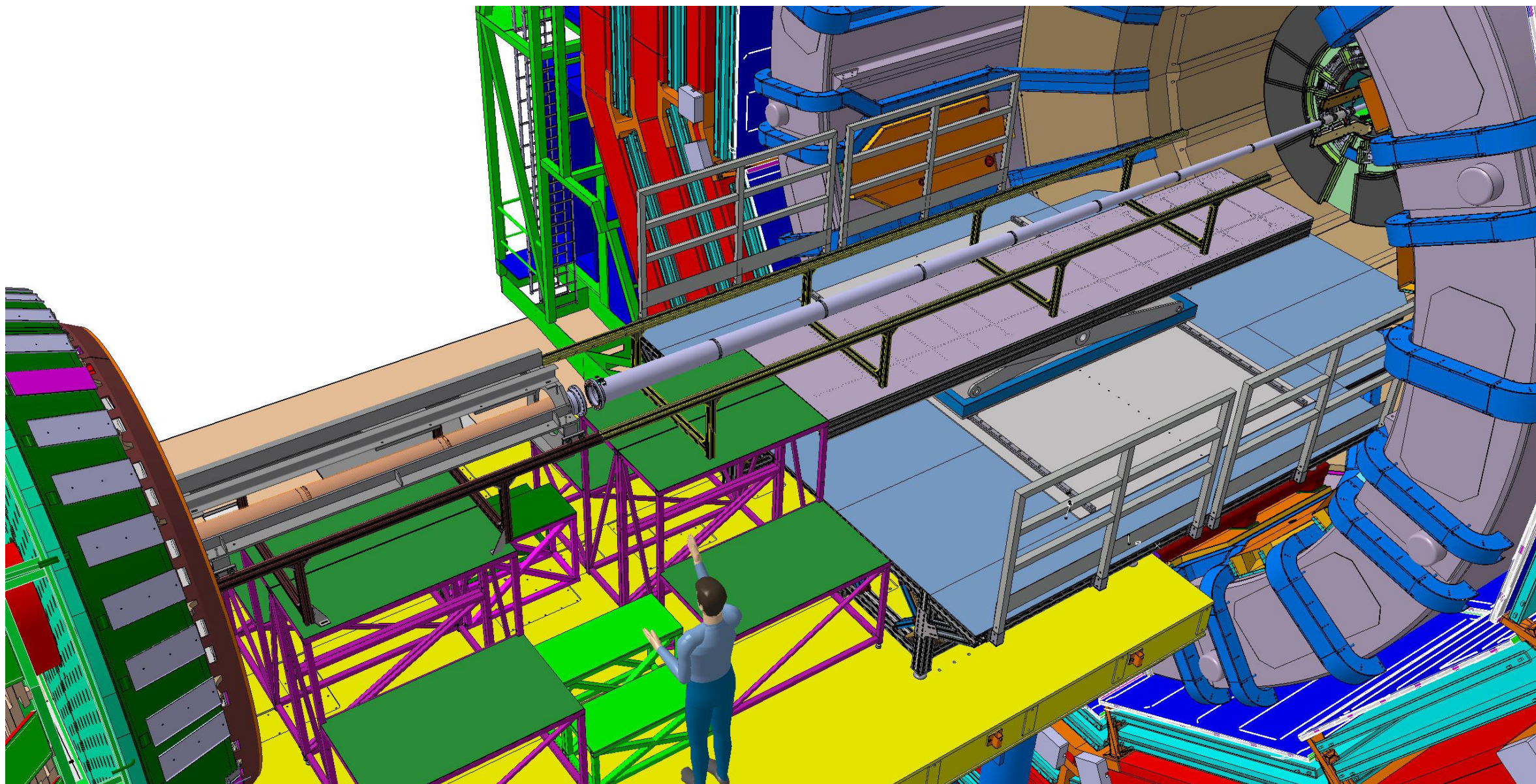
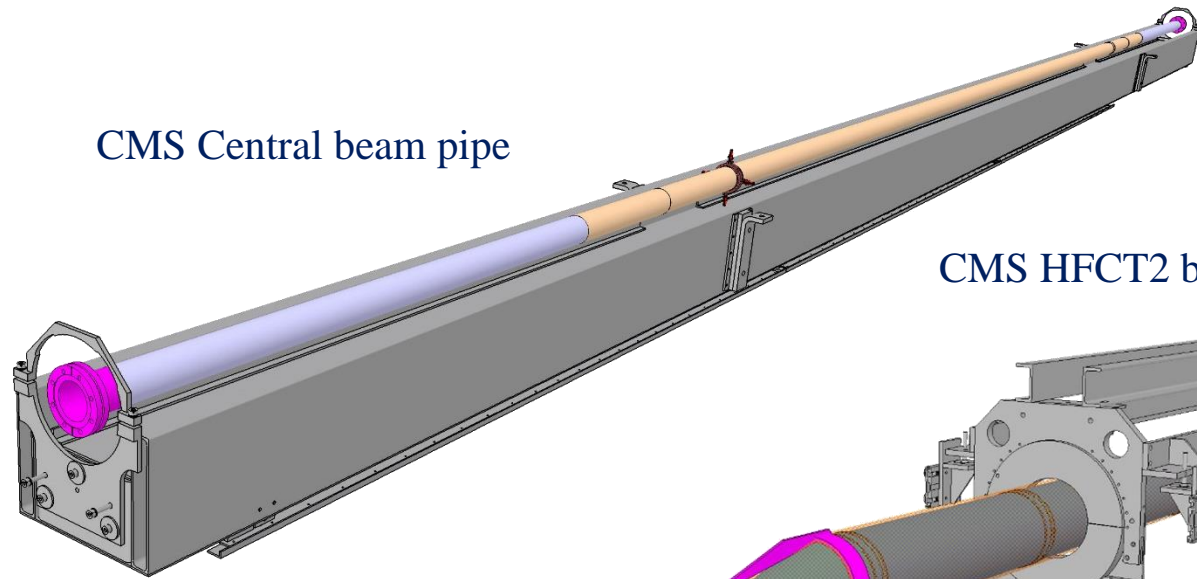


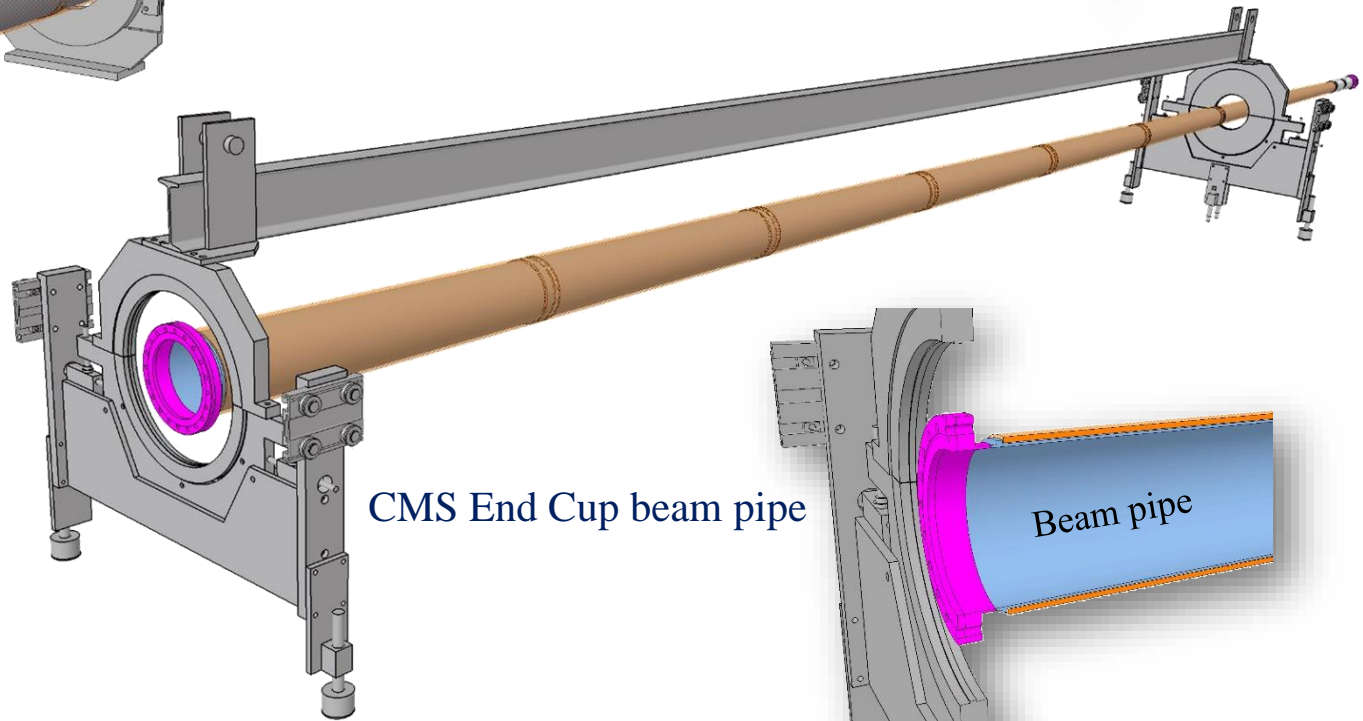
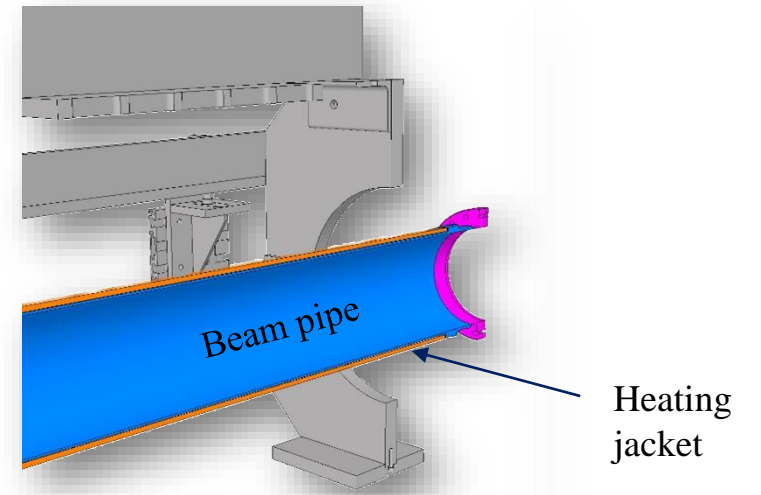
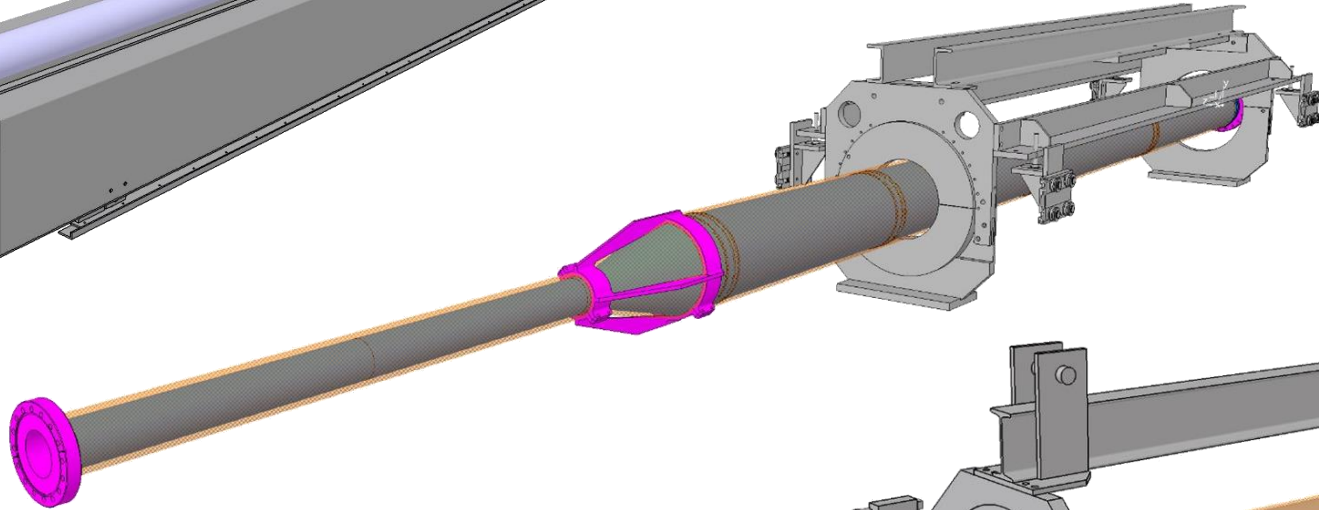
CMS layout for the installation of the Beam pipe





CMS Central beam pipe

CMS HFCT2 beam pipe



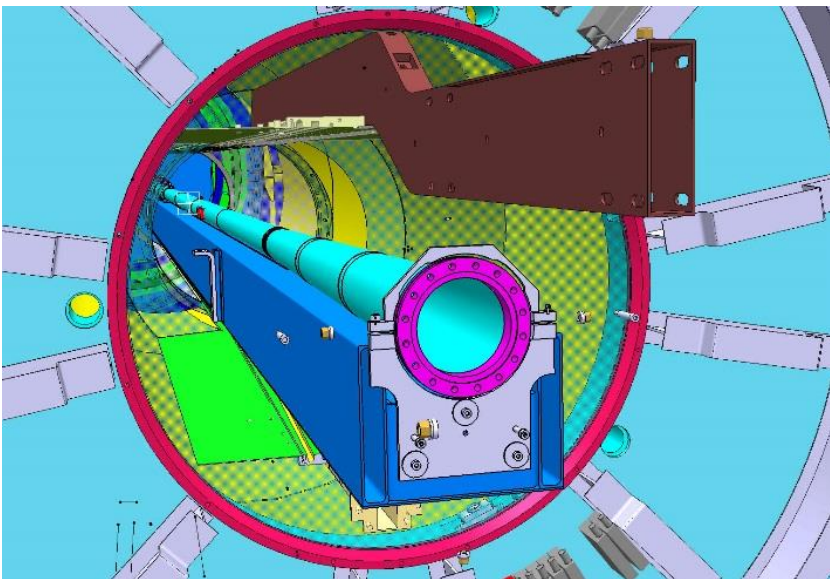
CMS End Cup beam pipe

New installation tools:

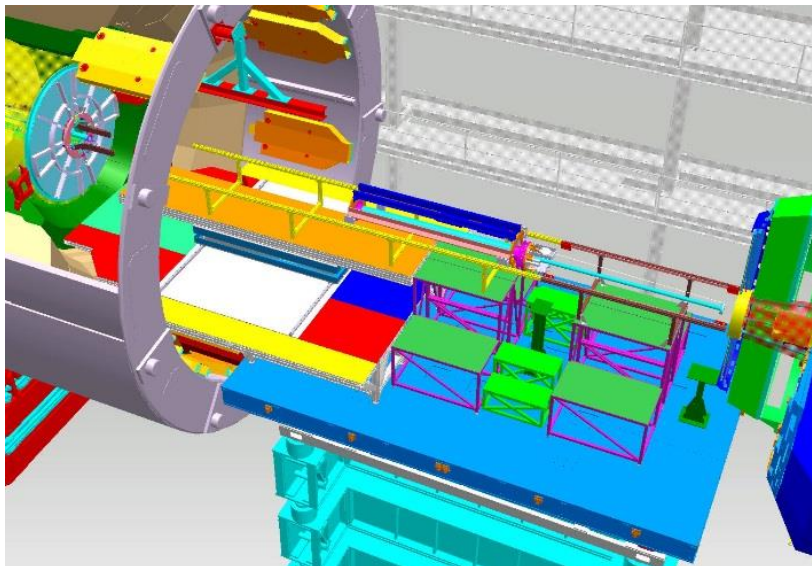
End Cup and HFCT2 pipe with preinstalled OF and Heating jackets

Installation procedures

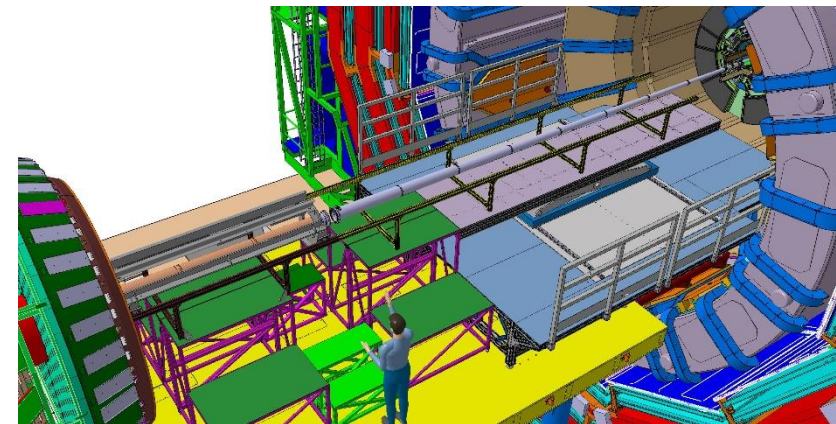
Central Beam pipe
installation

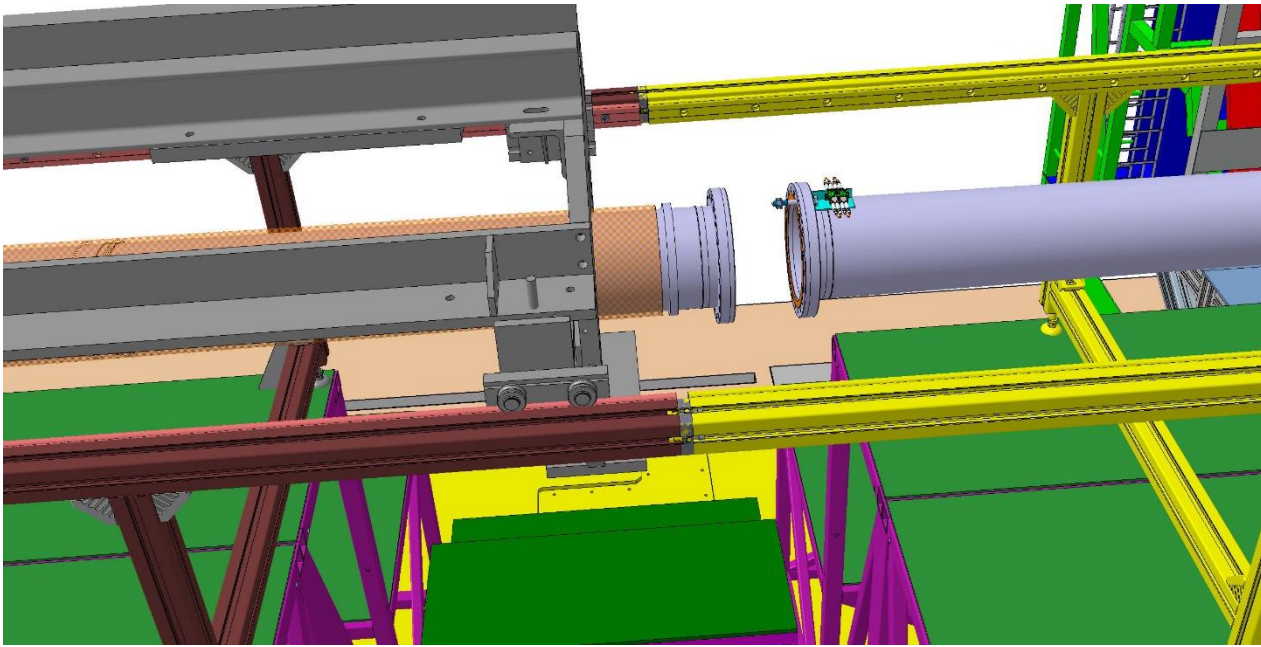


HF&CT2 Beam pipe
installation



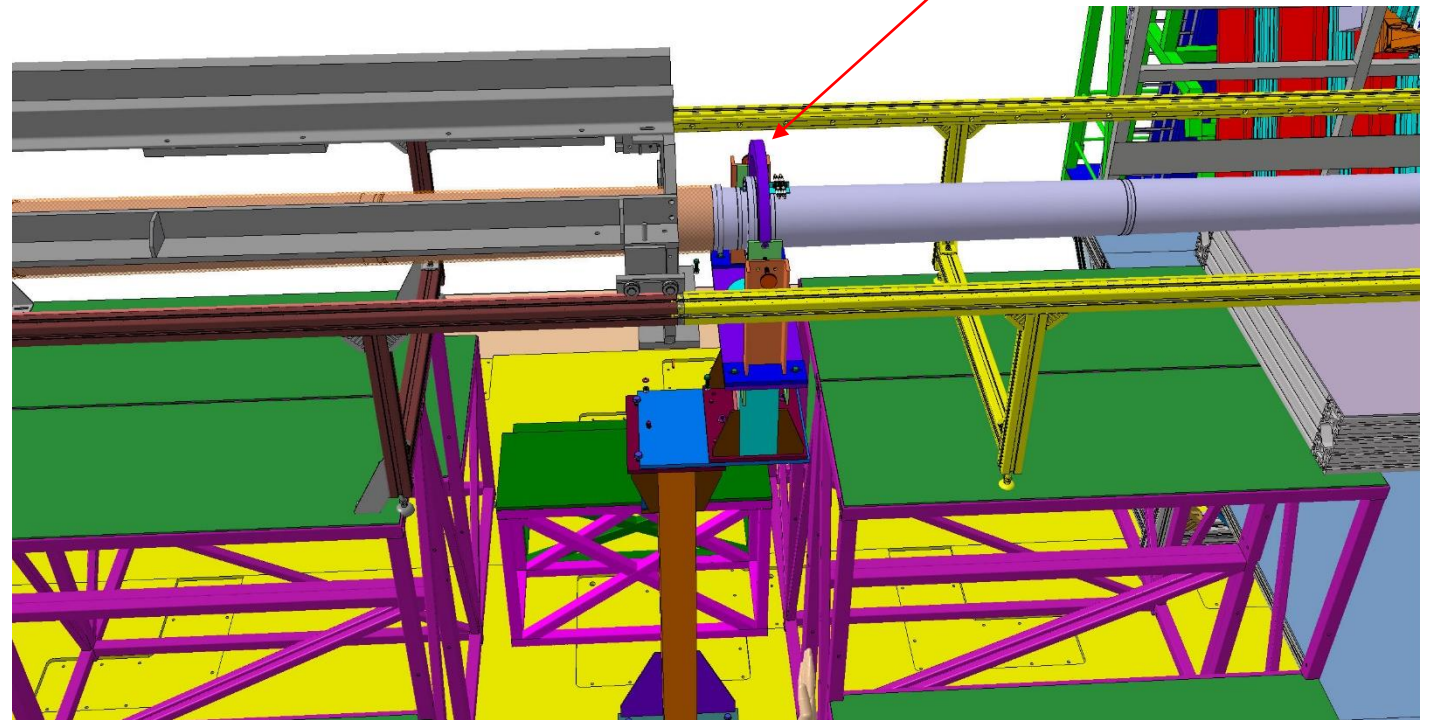
EndCap Beam pipe
installation



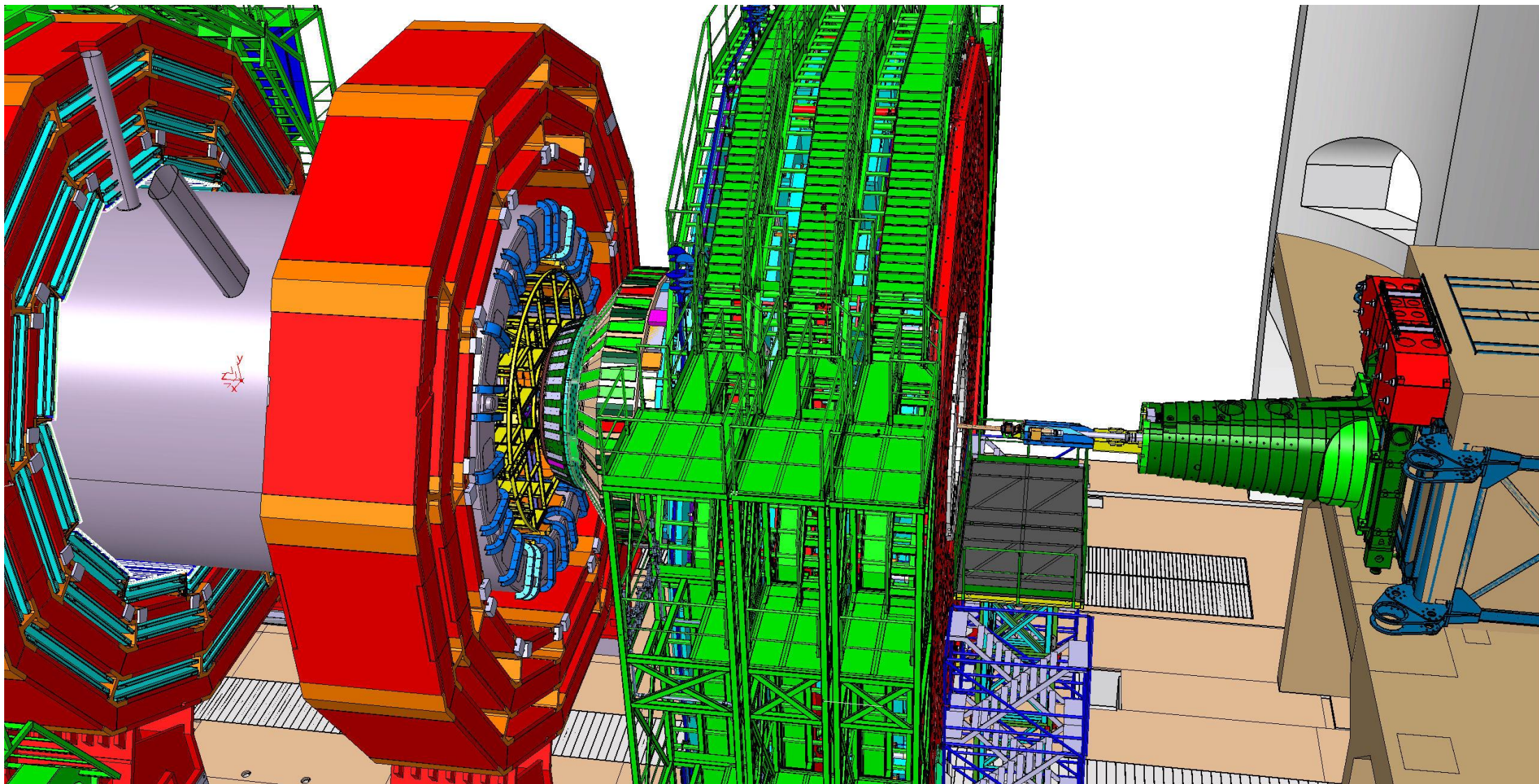


End Cup beam pipe
Installation details

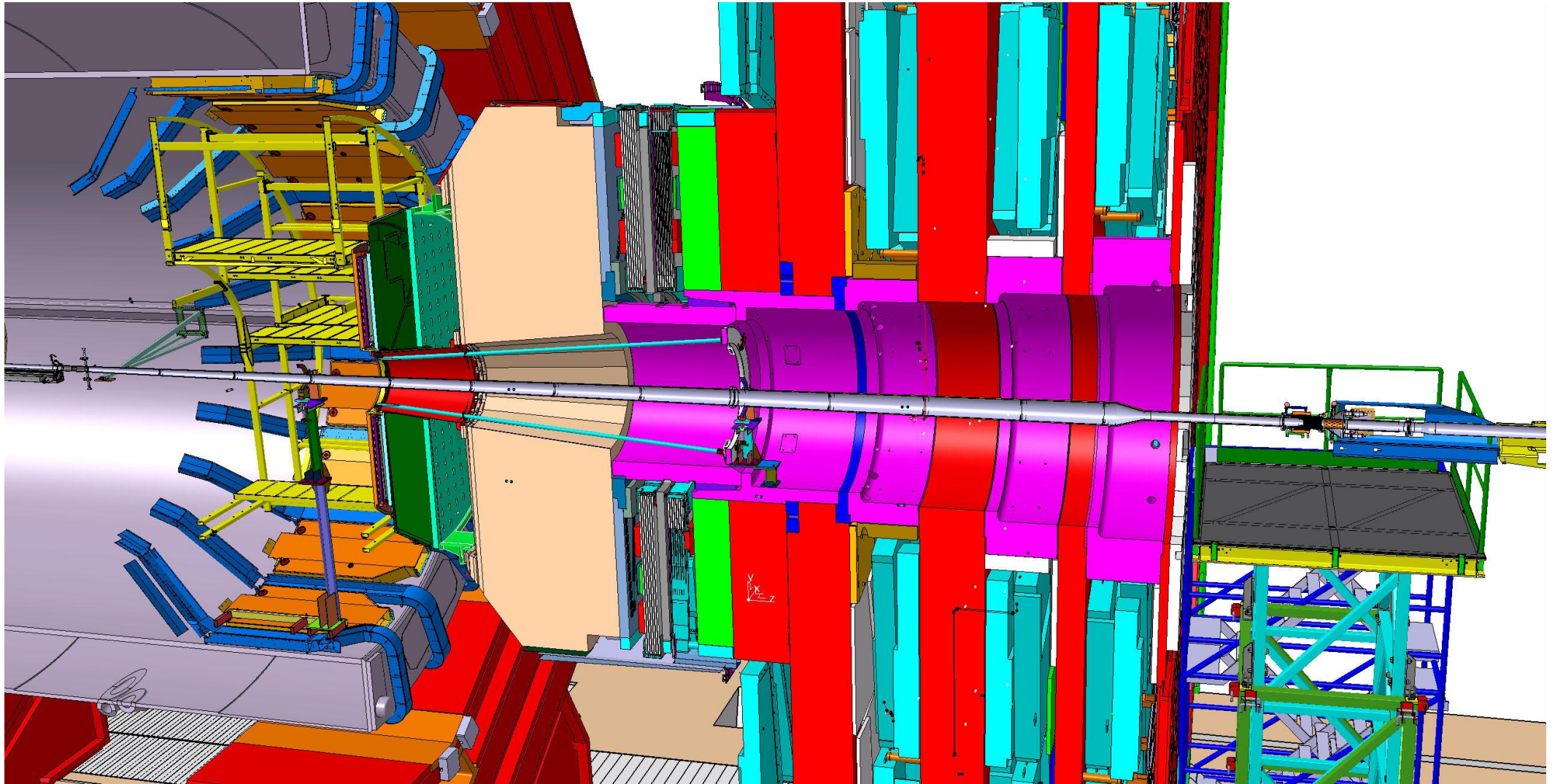
10.5m temporary support



CMS layout for the Bake out of the Beam pipe



CMS layout for the Bake out of the Beam pipe
Temporary supports and platform



Temp. support for Bake out at 10.5 m

