

I FEEL
SLOVENIA



GREEN.
CREATIVE.
SMART

LOTRIČ Metrology

Nejc Demšar MSc, Head of R&D



REPUBLIC OF SLOVENIA
MINISTRY OF EDUCATION,
SCIENCE AND SPORT



Slovenian Public Agency for
Entrepreneurship,
Internationalization, Foreign
Investments and Technology



Gospodarska
zbornica
Slovenije
Chamber of Commerce
and Industry of Slovenia

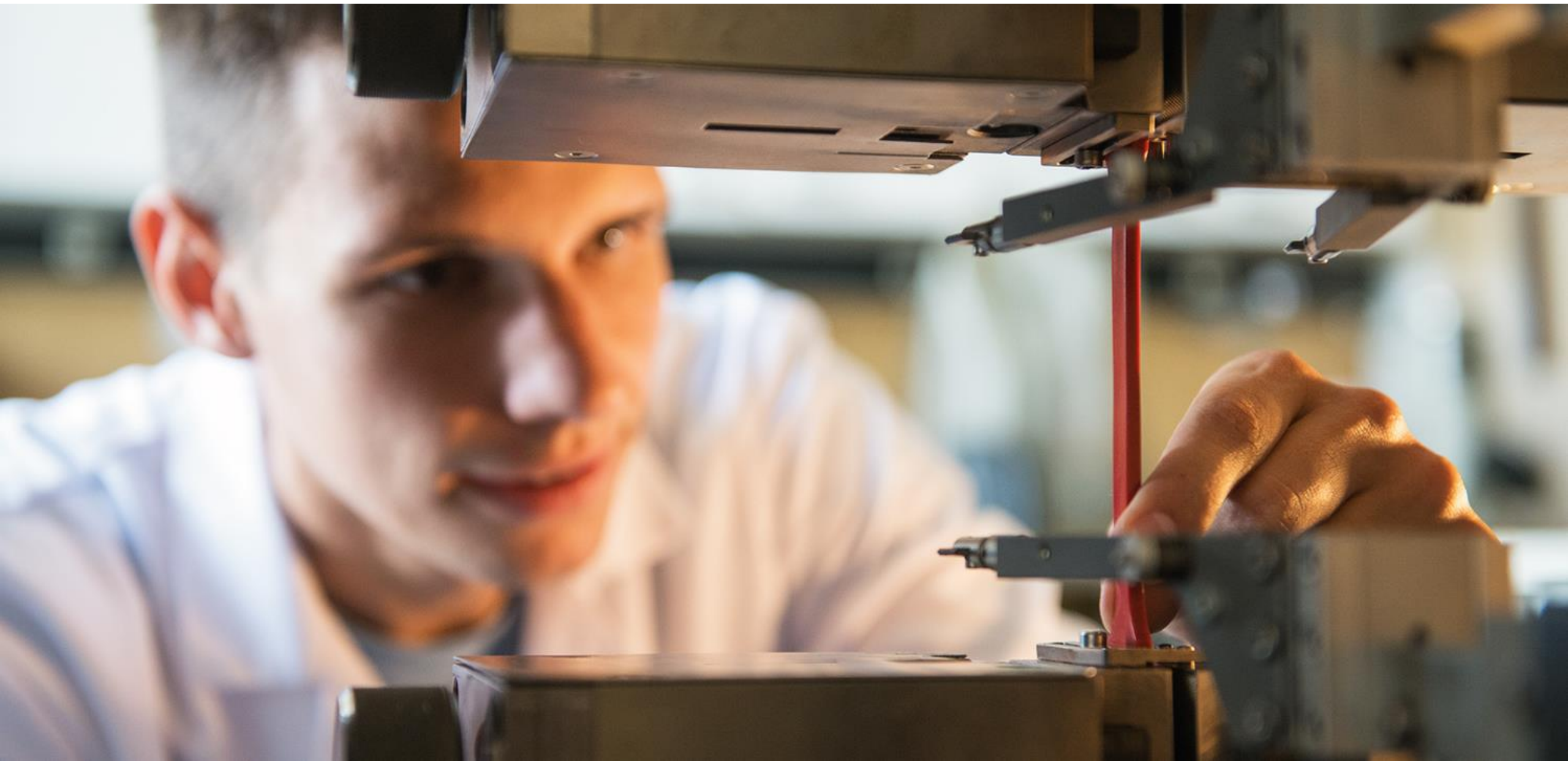


REPUBLIC OF SLOVENIA
MINISTRY OF ECONOMIC DEVELOPMENT AND
TECHNOLOGY

SLOVENIA@CERN

9. - 10. October 2019

METROLOGY WITH LOVE





calibrations



testing



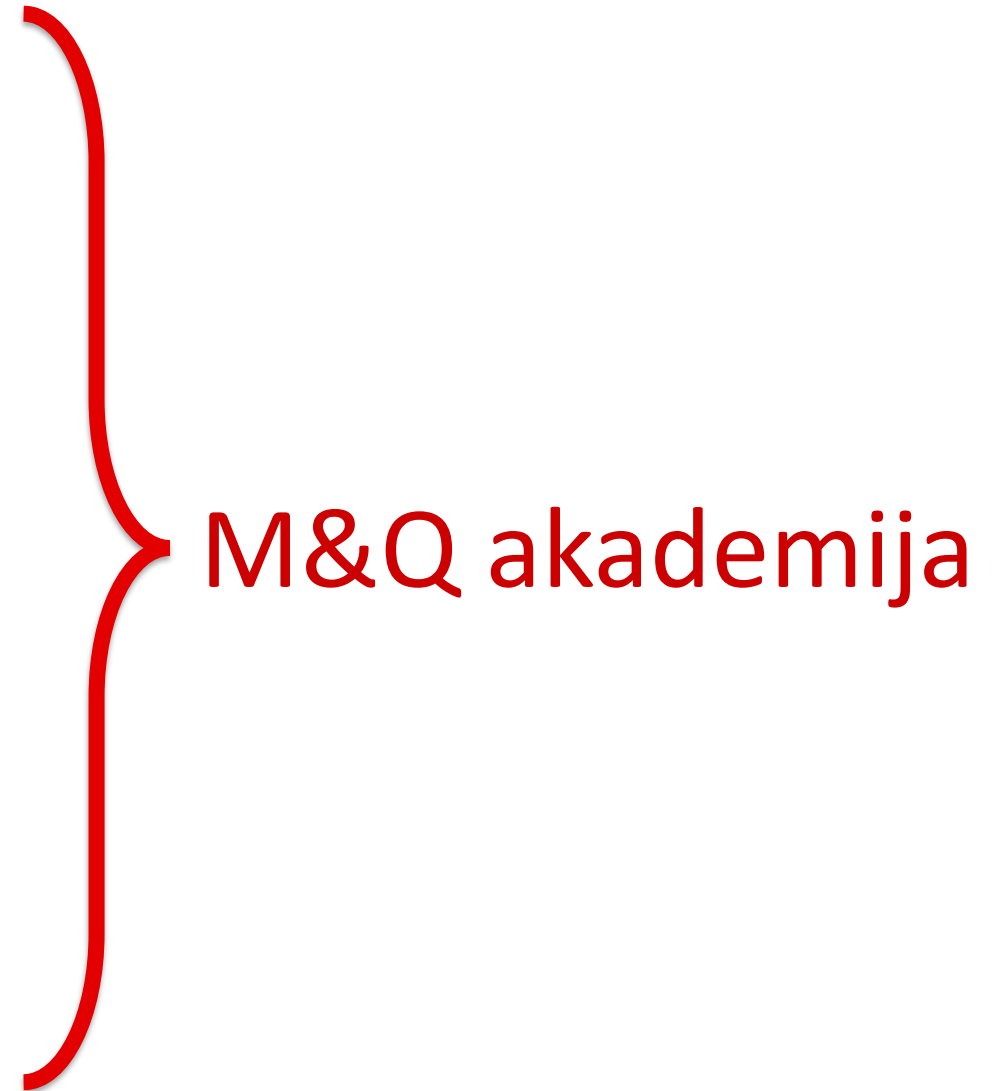
conformity assessment



metrology solutions



products



11

companies in the
LOTRIČ
Metrology group

7

countries

LOTRIČ Meroslovje, SLO

LOTRIČ Certificiranje, SLO

Iskra LOTRIČ, SLO

Mikro Medica, SLO

PSM merilni sistemi, SLO

LOTRIČ Messtechnik, AUT

LOTRIČ Control, BIH

LOTRIČ Mjeriteljstvo, CRO

LOTRIČ Metrology, DE

LOTRIČ Metrologija, SRB

LOTRIČ Metrologija, MK





QUALITY, EXCELLENCE, GROWTH

**16.625 clients
in 45 countries**



INTERNATIONALLY ACCLAIMED

A DOCUMENT THAT COUNTS

LOTRIČ[®] | METROLOGY

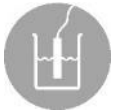
CERTIFIKAT O KALIBRACIJI
CALIBRATION CERTIFICATE



Mass & Pressure



Volume & Density



pH & Gas analysers



Flow & Velocity



Electricity & Photometry



Time & Frequency



Acoustics & Vibrations



Temperature & Humidity



Force & Torque



Length & Form



Angle & Inclination



Hardness & Roughness & Toughness



Acceleration & Mass Balance

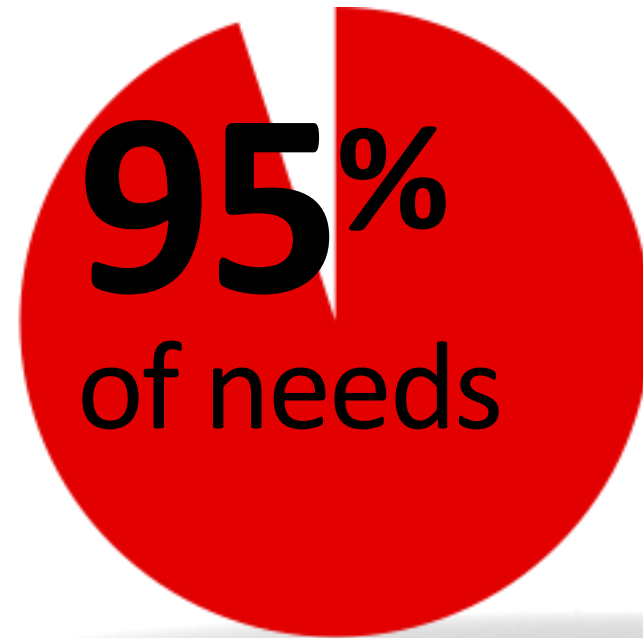
CALIBRATION FOR ALL YOUR NEEDS

198

accredited
methods

412

all methods



91.109

metrology checks
in year 2018

349

checks per day

29

suppliers

LEADING PROVIDER OF „ALL-IN-ONE SOLUTIONS“

CERTIFIKAT O KALIBRACIJI CALIBRATION CERTIFICATE

naročnik applicant COMPANY Ltd.,
Metrology Square 1, 1000 Ljubljana

lastnik owner COMPANY Ltd.,
Technical street 79, 4000 Kranj

lokacija location LOCATION CELJE
Environmental Square 45, 3000 Celje

oddelek department QUALITY

merilo measure Thermometer
Thermometer

proizvajalec manufacturer LOTRIČ Metrology

tip type EXACTUM Pt 100

merilno območje measuring range **od** from -200 °C **do** to 325 °C

serijska številka serial number LT-1467 **inventarna številka** inventory number CE 967 **evidenčna številka** evidence number TERM-12 **koda na merilu** code on measure



naravnavanje adjustment je bilo izvedeno *was performed* **povzetek rezultata** result summary **ustreza** meets

Podrobnosti so podane v poglavju Stanje pred naravnavanjem
Details are given in chapter Measure status before adjustment Podrobnosti so podane v poglavjih Rezultati in Izjava o skladnosti
Details are given in chapter Statement of compliance

datum kalibracije date of calibration 14. 05. 2018 **datum odobritve** date of approval 15. 02. 2019

izvedel performed by Devis Martinčič
internal digitally signed **odobril** approved by Primož Hafner
digitally signed date: 15. 02. 2019

Devis Martinčič

Primož Hafner



Slovenska akreditacija je podpisnica večstranskih sporazumov o priznavanju akreditacij z Evropskim združenjem za akreditacijo (EA – MLA in BLA) in Mednarodnim združenjem za akreditacijo laboratorijev (ILAC – MRA).
Slovenian accreditation is signatory to multilateral agreements on mutual recognition of accreditation bodies with the European Accreditation (EA – MLA or BLA) and the International laboratory accreditation cooperation (ILAC – MRA).

Ta dokument se sme objavljati ali posredovati le v celoti. Verodostojnost podpisa se lahko preveri v elektronski obliki dokumenta.
This document may be published or forwarded only in full. Signature validity can be verified in electronic version of the document.

Personalized certificate issued in one or more languages of your own choosing.

You will receive the desired id sample numbers. The statement of conformity is issued in accordance with the standards and requirements of your process.

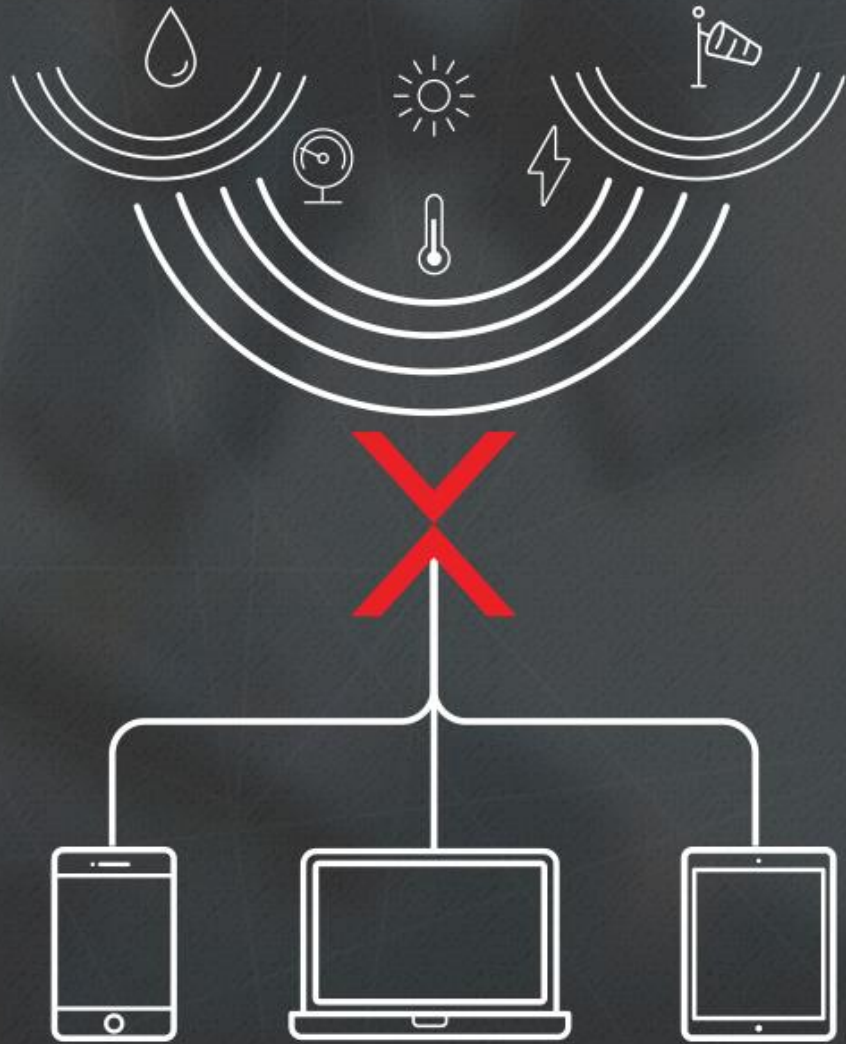
Graphic display: graphs, charts and photos give you a quick overview of the results and suitability of the sample.

e–signature: enables simple authentication and integrity check of the document and identification of the document’s signatory.

Accredited procedures in accordance with ISO 17020 and 17025 standards.

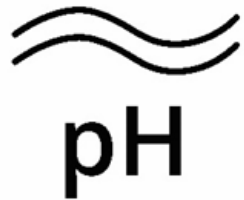
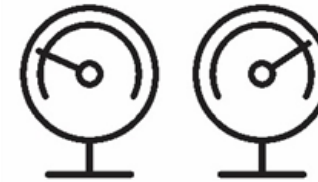
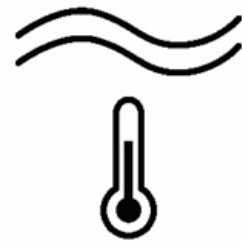
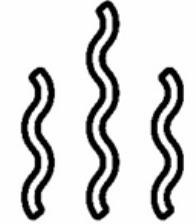
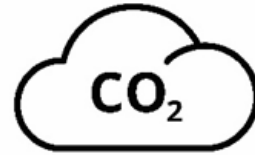
EXACTUM

Your digital senses.



- MONITORING MEASUREMENTS IN REAL TIME
- SAFETY OF COLLECTED DATA
- IMMEDIATE WARNING ALLOWS YOU TO TAKE TIMELY ACTION
- CONNECTIVITY: **Wireless**, ETHERNET or USB INTERFACE
- TABLET OR MOBILE PHONE ALLOWS YOU A QUICK OVERVIEW, MANAGEMENT via PC

HOW DOES IT WORK?



IT MEASURES EVERYTHING THAT IS MEASURABLE

FILTRIRAJ BREZ POVEZAVE (34)

Laboratorij 1.01

ACIJE (3 LOKACIJI-A)

OTRIČ CERTIFICIRANJE D.O.O. (17/27)

OTRIČ D.O.O., MEROSLOVNI PARK (0/21)

OTRIČ D.O.O., SELCA (57/60)

0 PRITLIČJE (4) (0)

LABORATORIJ 1.01 (0) (6)

Pipete voda 2 - 26D88
temperature
20.81 °C

Uteži - 35D16
temperature
20.96 °C

Pipete voda 1 - 35D25
temperature
20.91 °C

Pipete - 35D43
temperature
20.96 °C

CO2
carbonDioxide
2127 ppm

Meteo
064DC

LABORATORIJ 1.02 (0) (13)

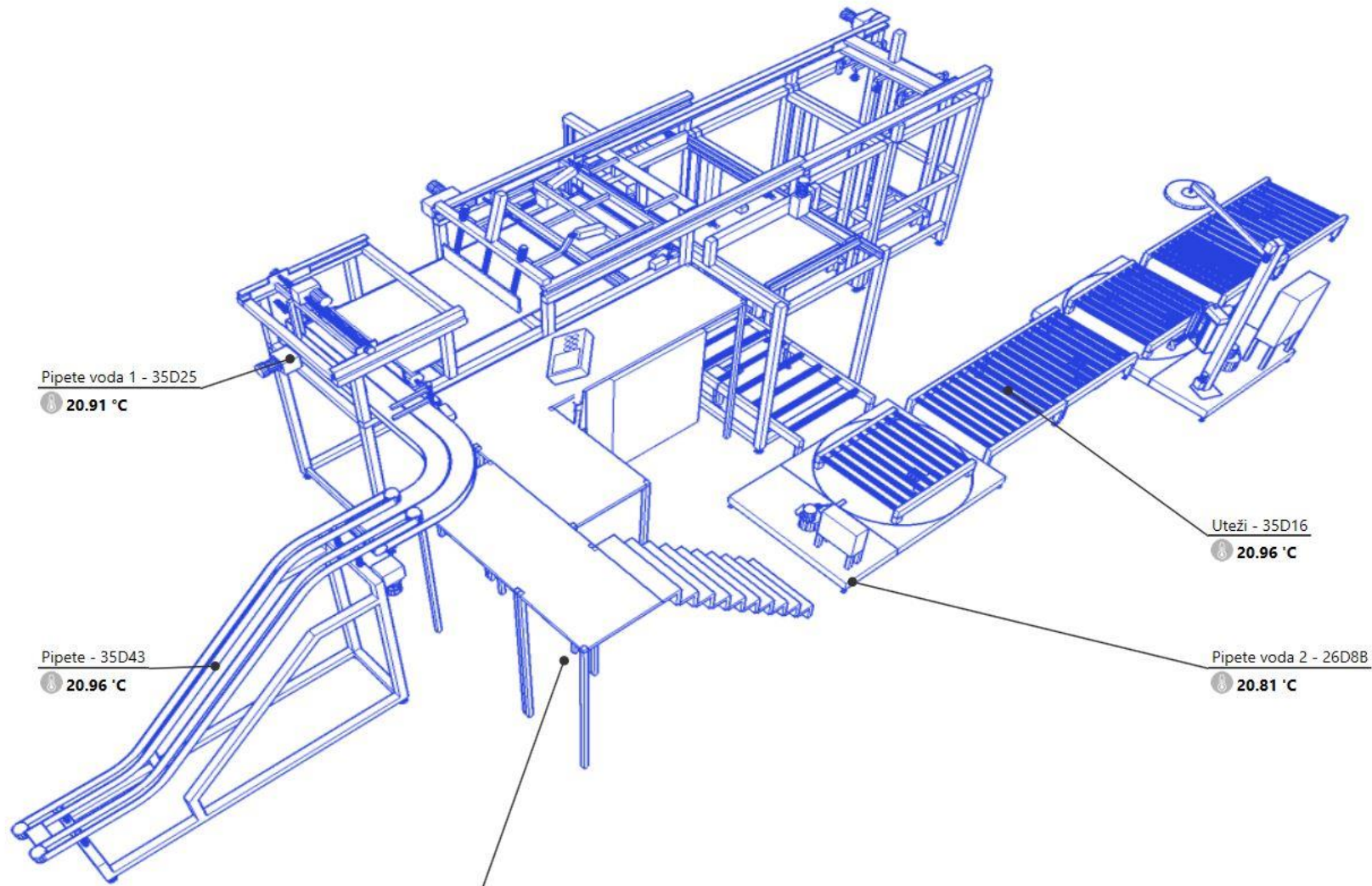
Klešče 1030E
temperature
20.16 °C

Klešče - 14B1F
temperature
20.05 °C

Temperatura 1.02 - 35CAF
temperature
20.02 °C

1D desno tipalo spredaj - 35D9E
temperature
20.16 °C

Klešče 35E23
temperature



Pipete voda 1 - 35D25
20.91 °C

Uteži - 35D16
20.96 °C

Pipete voda 2 - 26D88
20.81 °C

Pipete - 35D43
20.96 °C

METEOMK1-064DC
51.3 % RH
966 mbar

CO2
2127 ppm

PREGLED ZGODOVINE

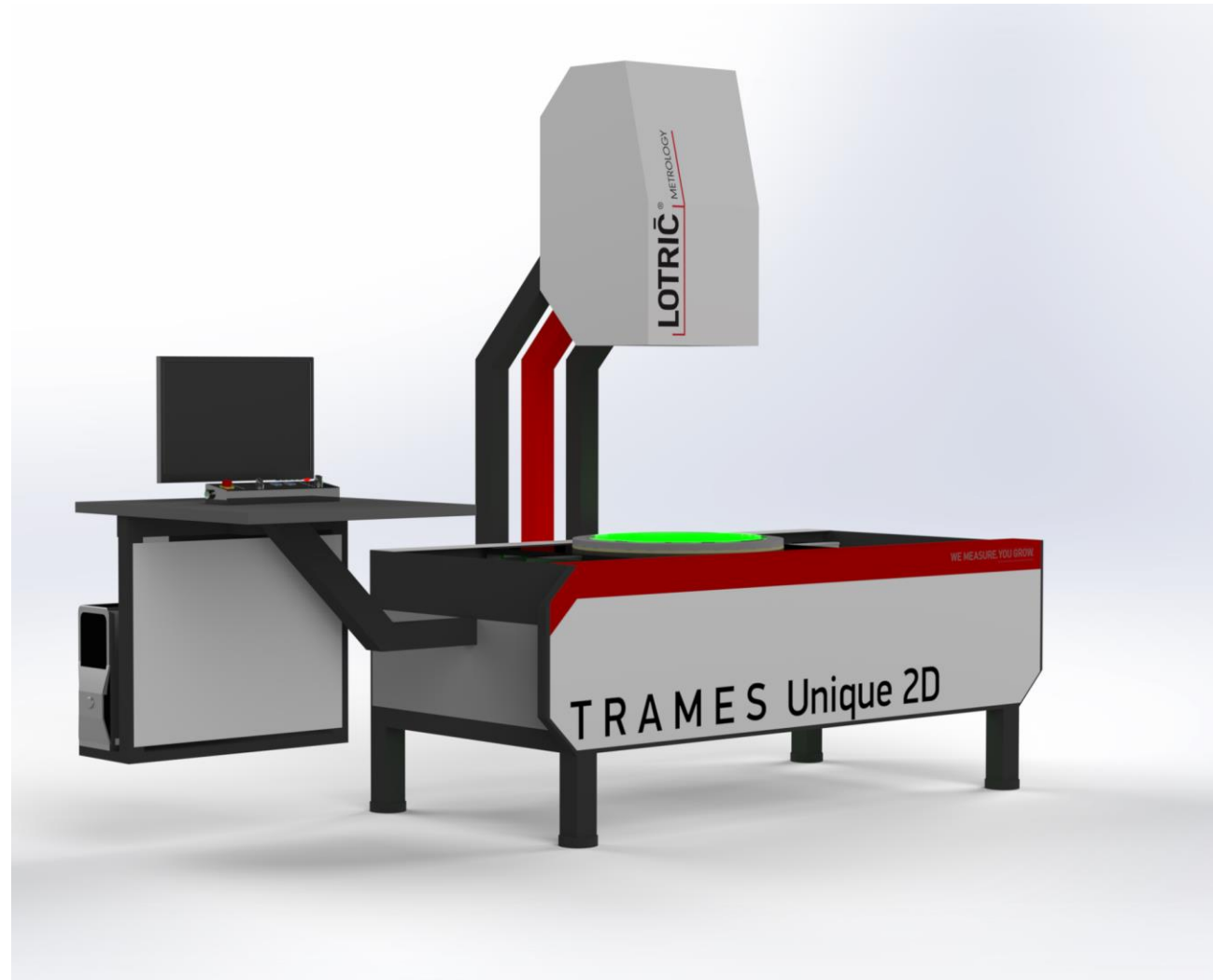


CUSTOM-MADE DIMENSIONS MEASURING and SCANNING SYSTEMS

TRAMES Unique



Solving a complex metrology problem with unique, customized measuring machine

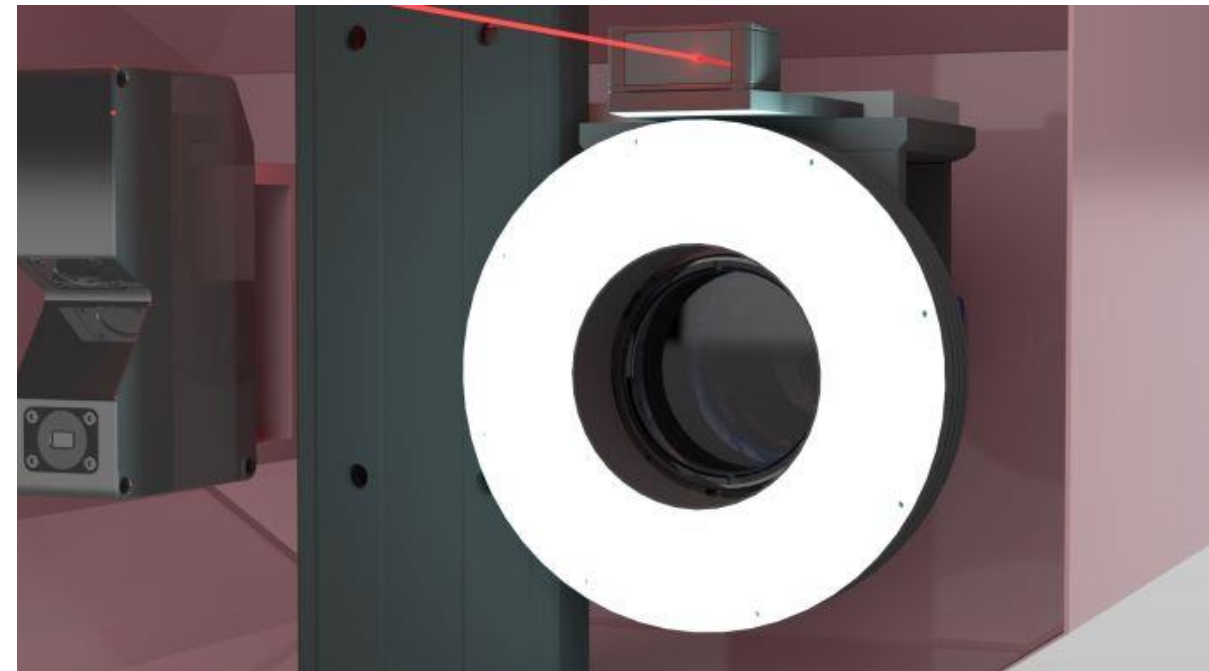
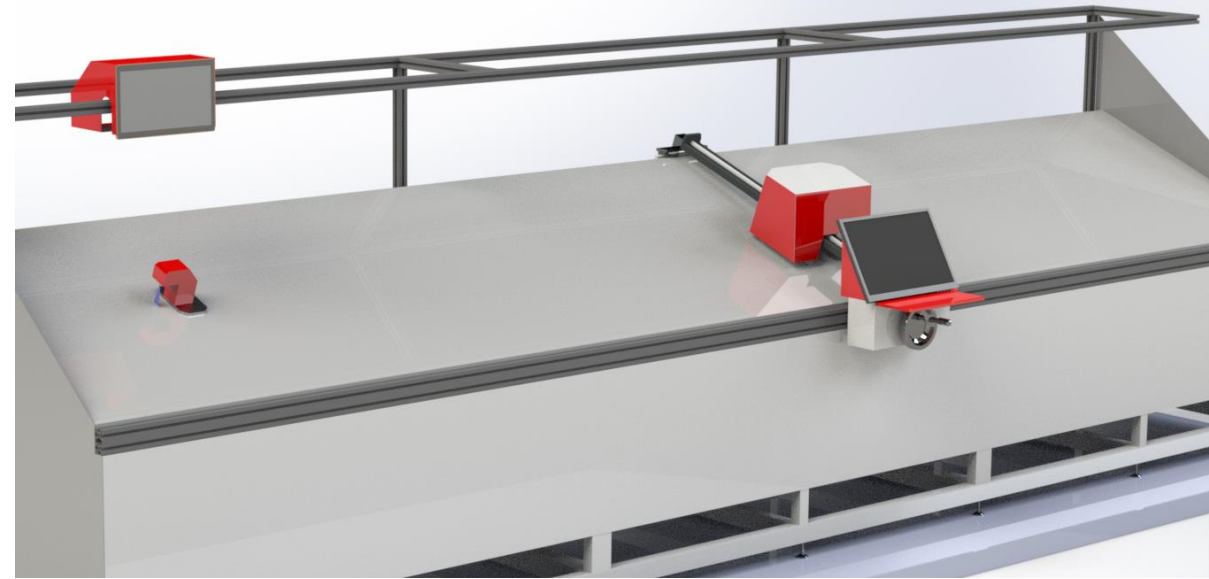


TRAMES Unique

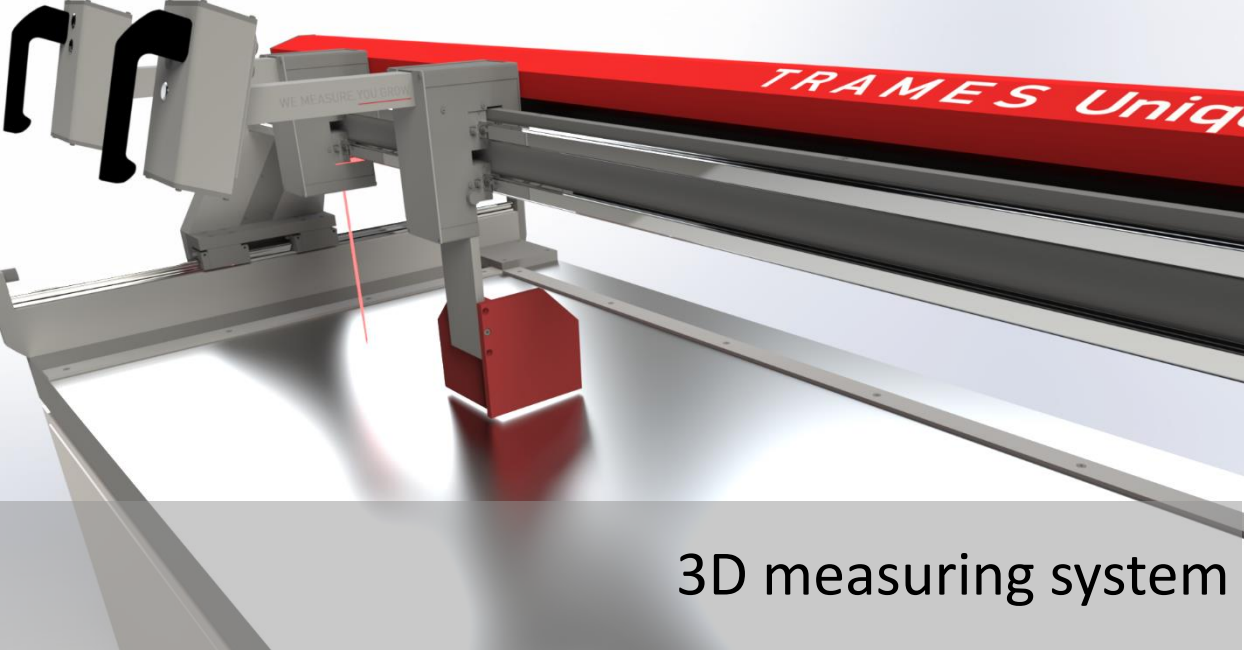
Measuring machines TRAMES Unique

Unique concept of the machine that enables:

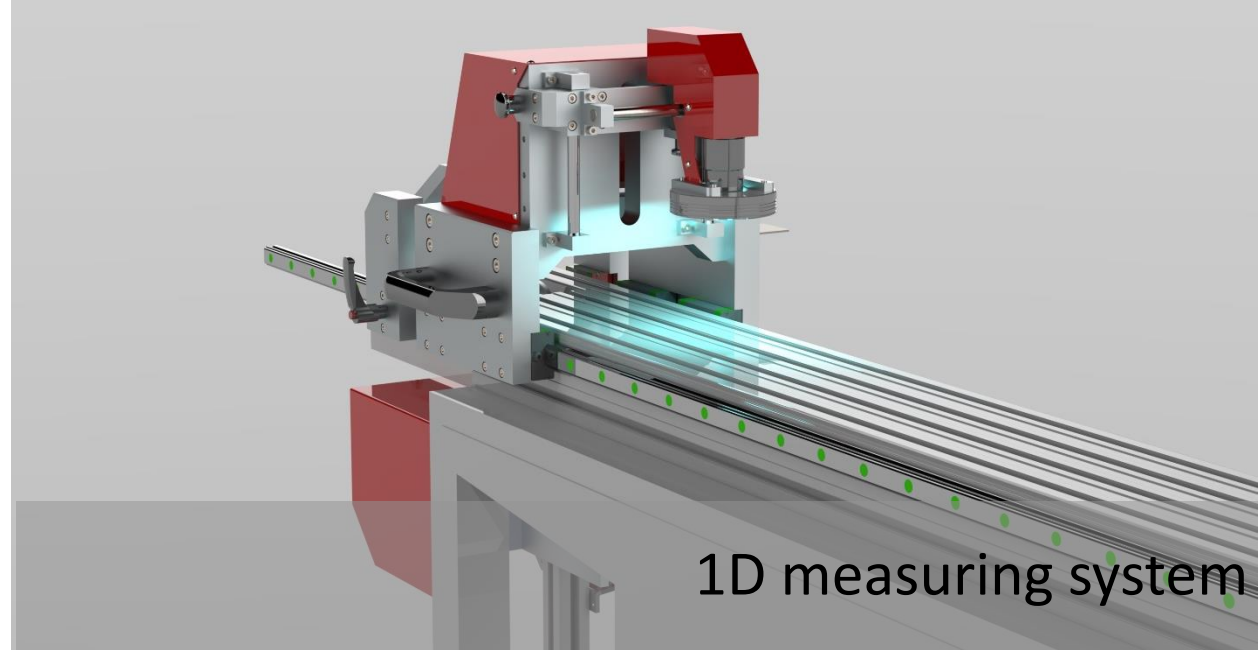
- Complete metrology solutionn
- 1D, 2D, 3D space
- Specific shape, material, size of measured products
- **Machine vision, laser scanning**, mechanical probes
- Adjustment of entire system
- Special upgrades



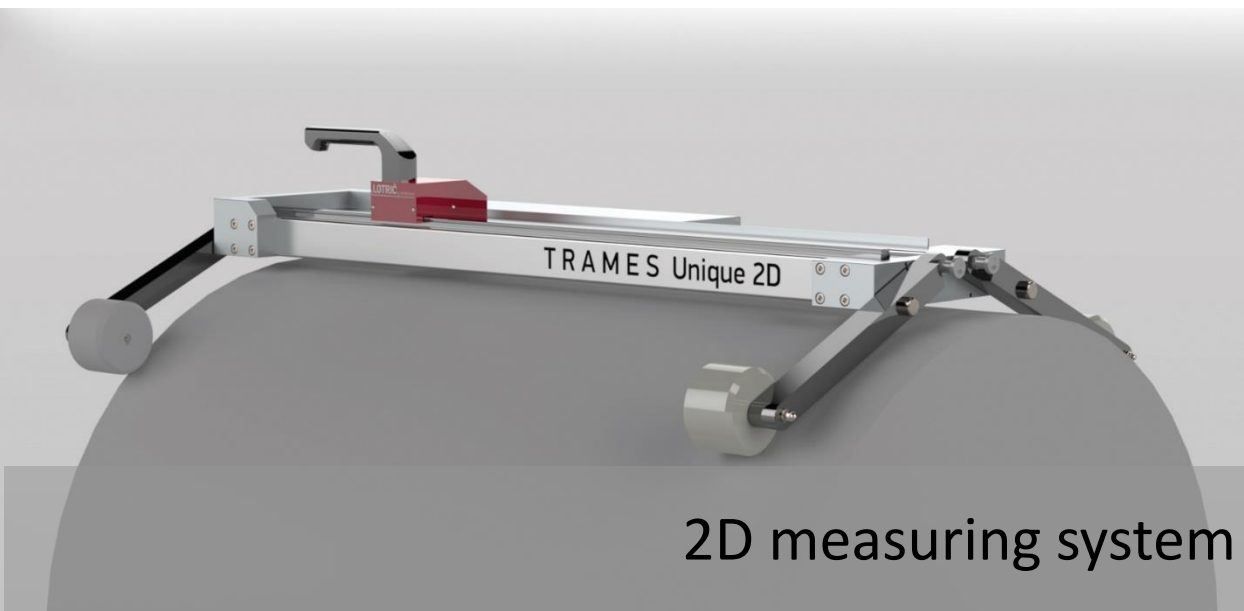
FULLY ADAPTED TO THE DEMANDS OF OUR BUYERS



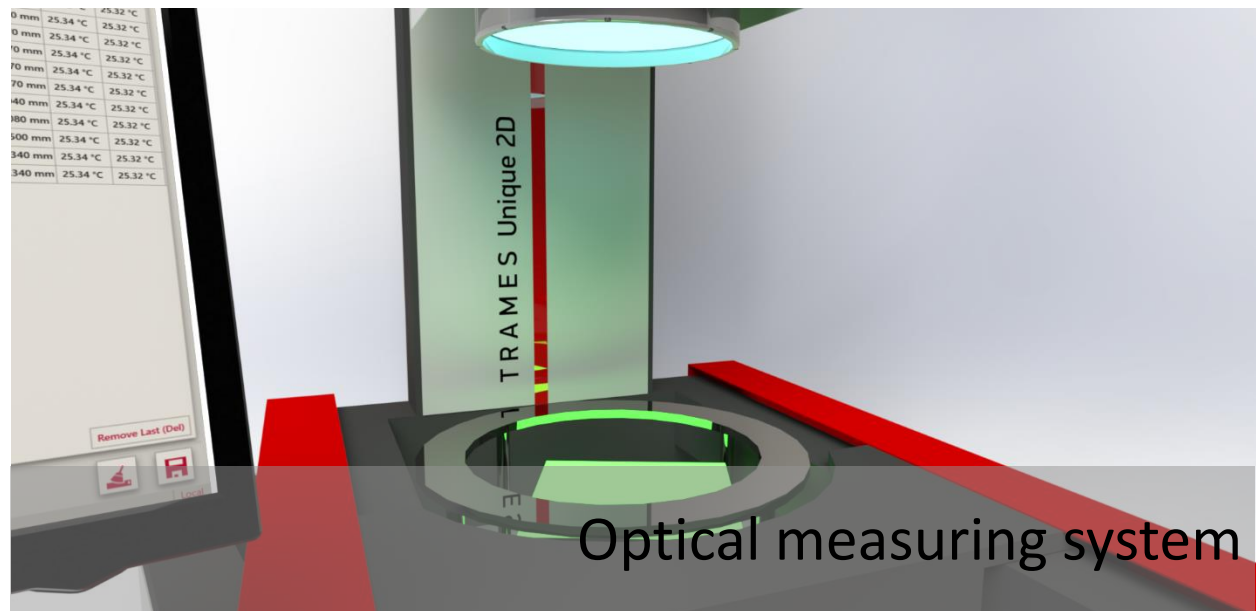
3D measuring system



1D measuring system



2D measuring system



Optical measuring system

CUSTOMIZE MEASURING SYSTEMS

I FEEL
SLOVENIA



GREEN.
CREATIVE.
SMART

SLOVENIA@CERN

9. - 10. October, 2019



REPUBLIC OF SLOVENIA
MINISTRY OF EDUCATION,
SCIENCE AND SPORT



Slovenian Public Agency for
Entrepreneurship,
Internationalisation, Foreign
Investments and Technology



Gospodarska
zbornica
Slovenije
Chamber of Commerce
and Industry of Slovenia



REPUBLIC OF SLOVENIA
MINISTRY OF ECONOMIC DEVELOPMENT AND
TECHNOLOGY