

RF Load Straight Version Updated Design

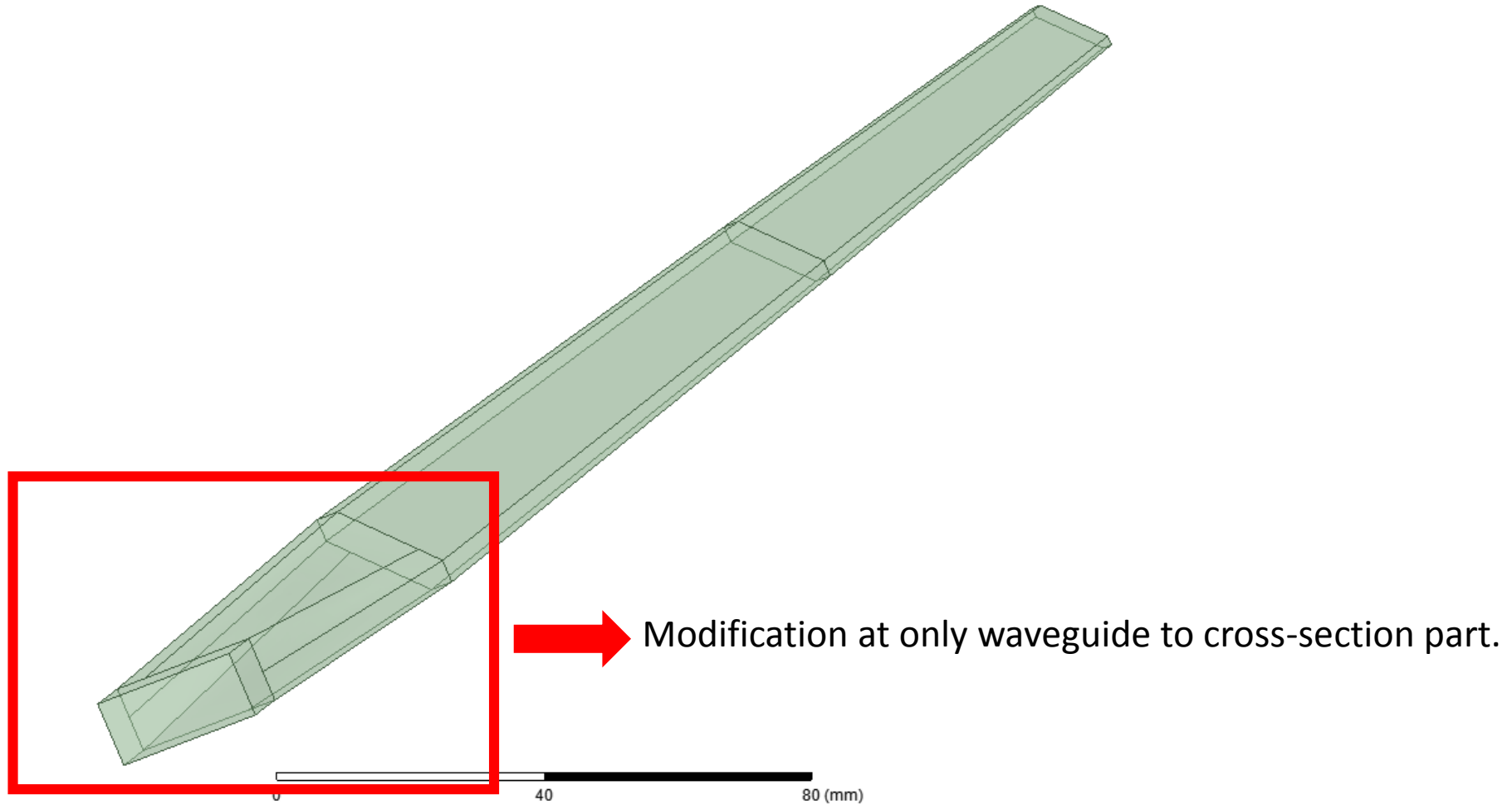
Hikmet BURSALI

08.08.2019

Outline

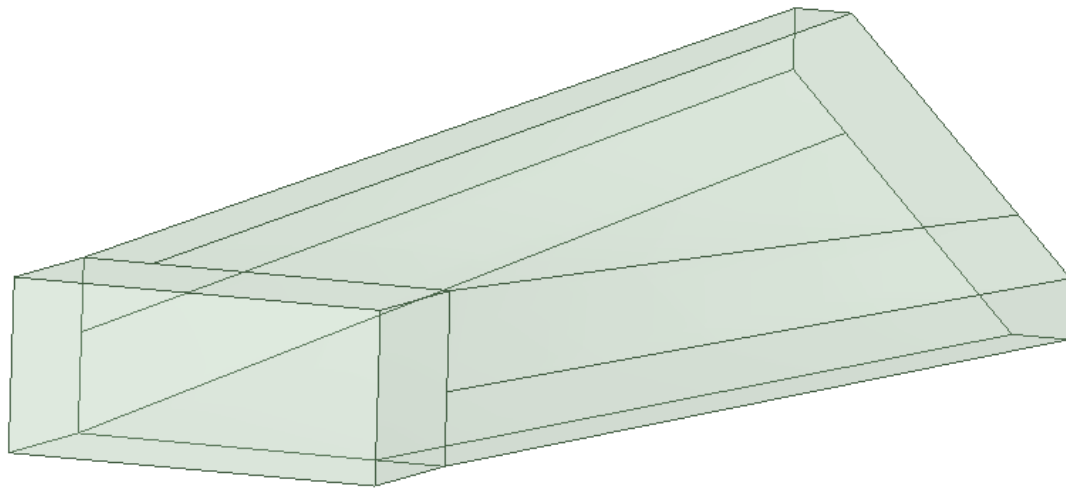
- ✓ Previous design
- ✓ Modified part of the model
- ✓ Dimensions for updated straight version
- ✓ HFSS results of updated straight version

Parametrized Model (First version)



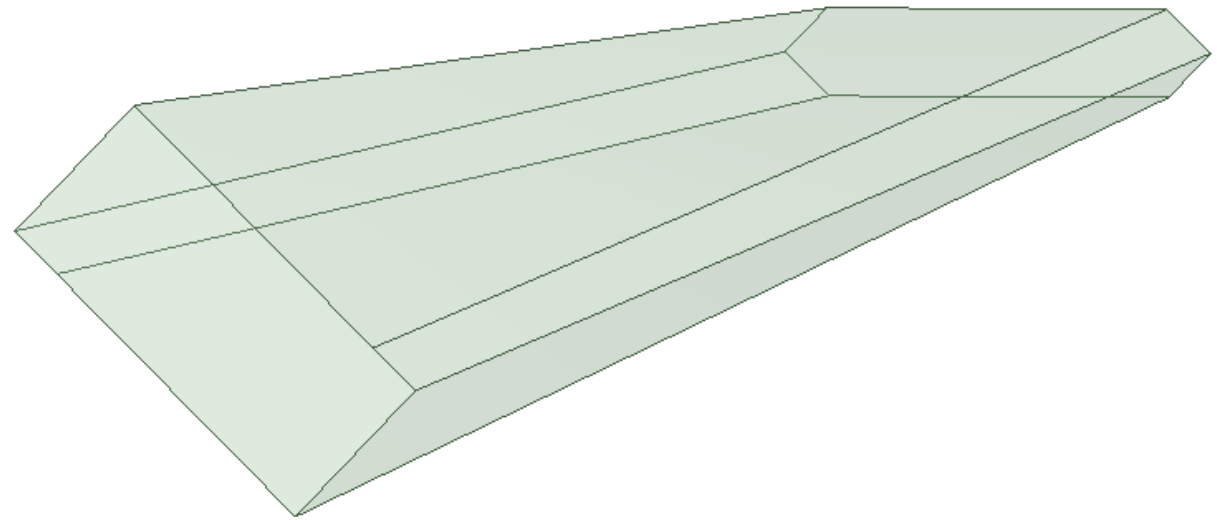
Update in Transition part

Previous version



0 20 40 (mm)

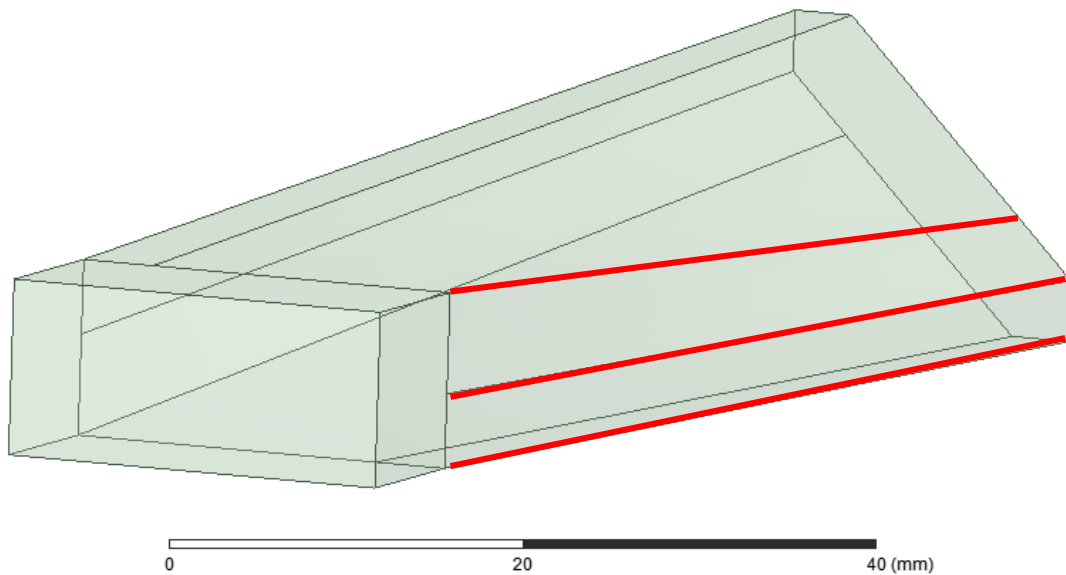
Updated version



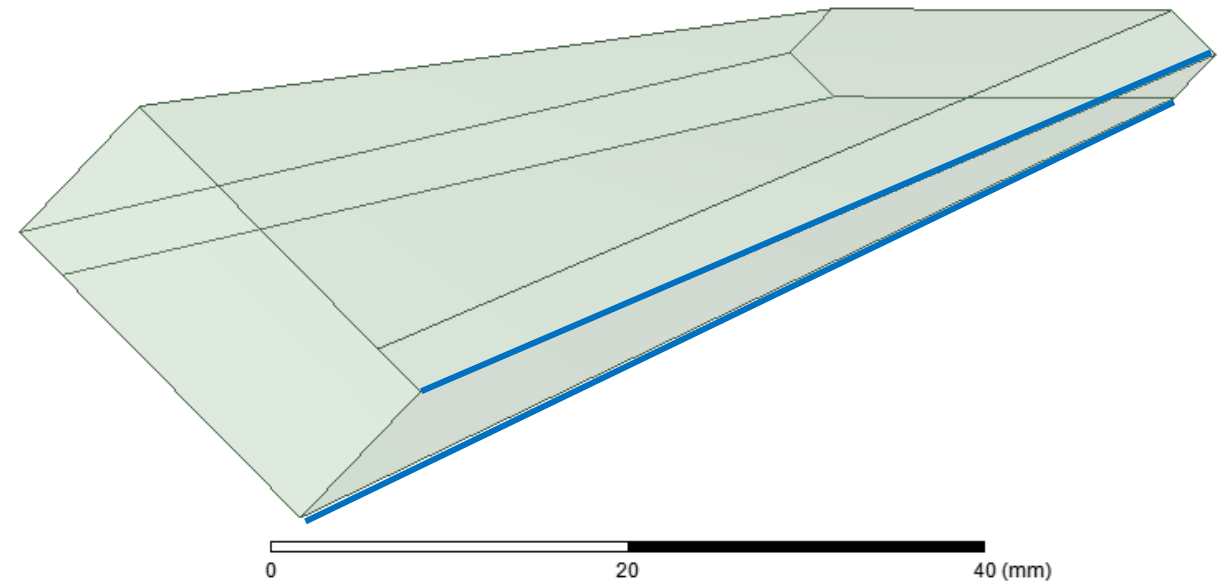
0 20 40 (mm)

Update in Transition part

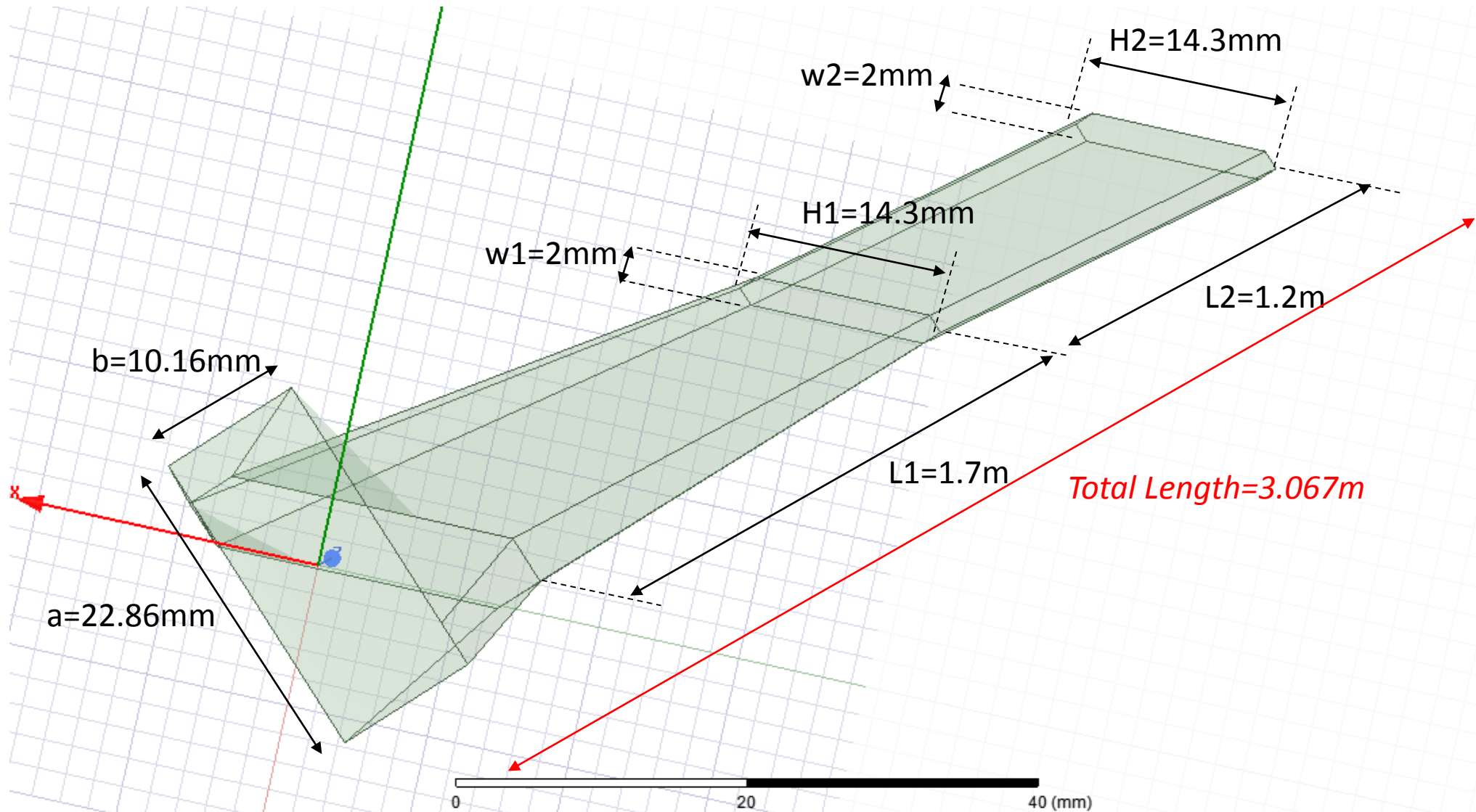
Previous version



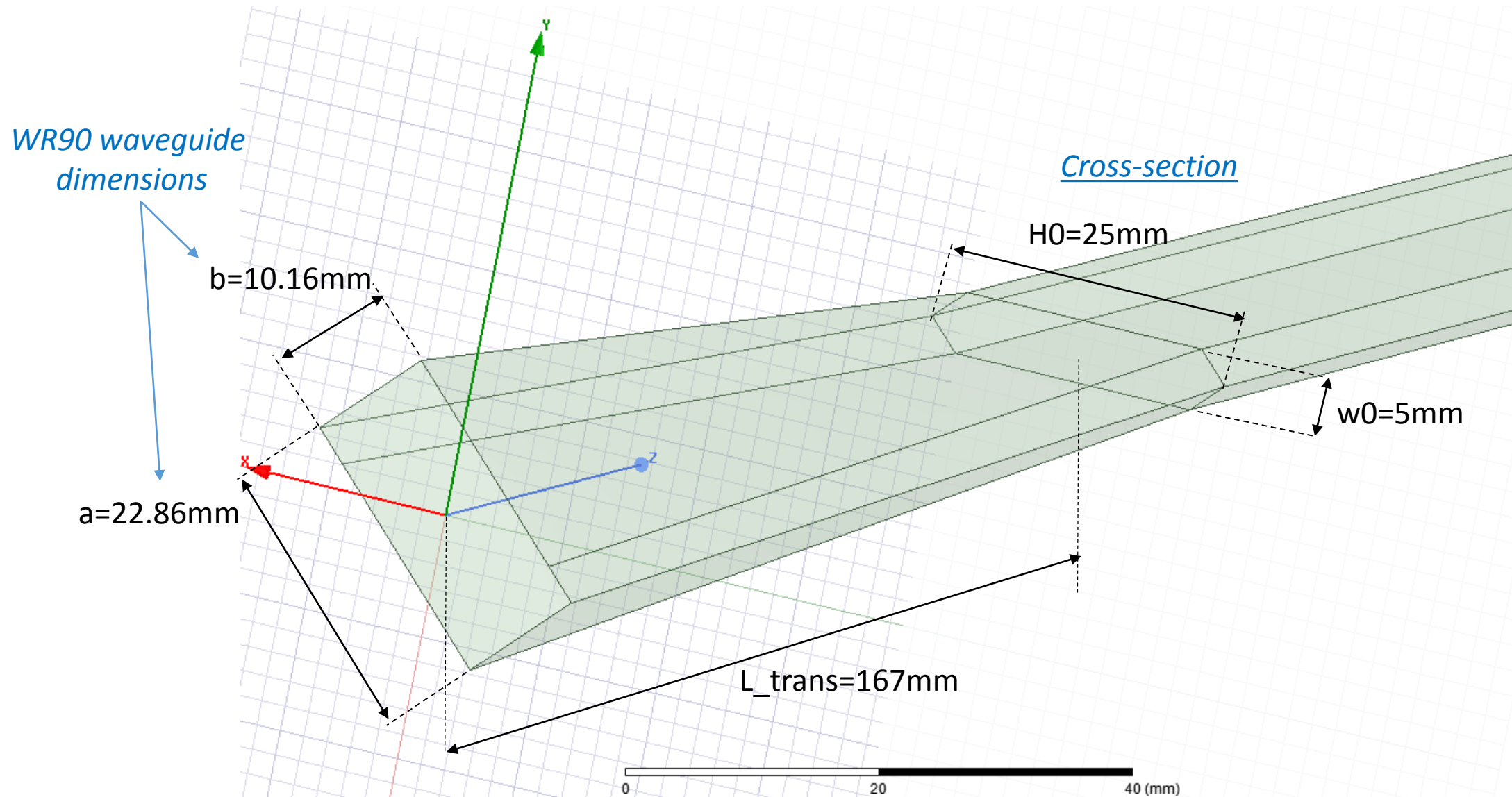
Updated version



Straight Model in HFSS



Transition part dimensions (updated)

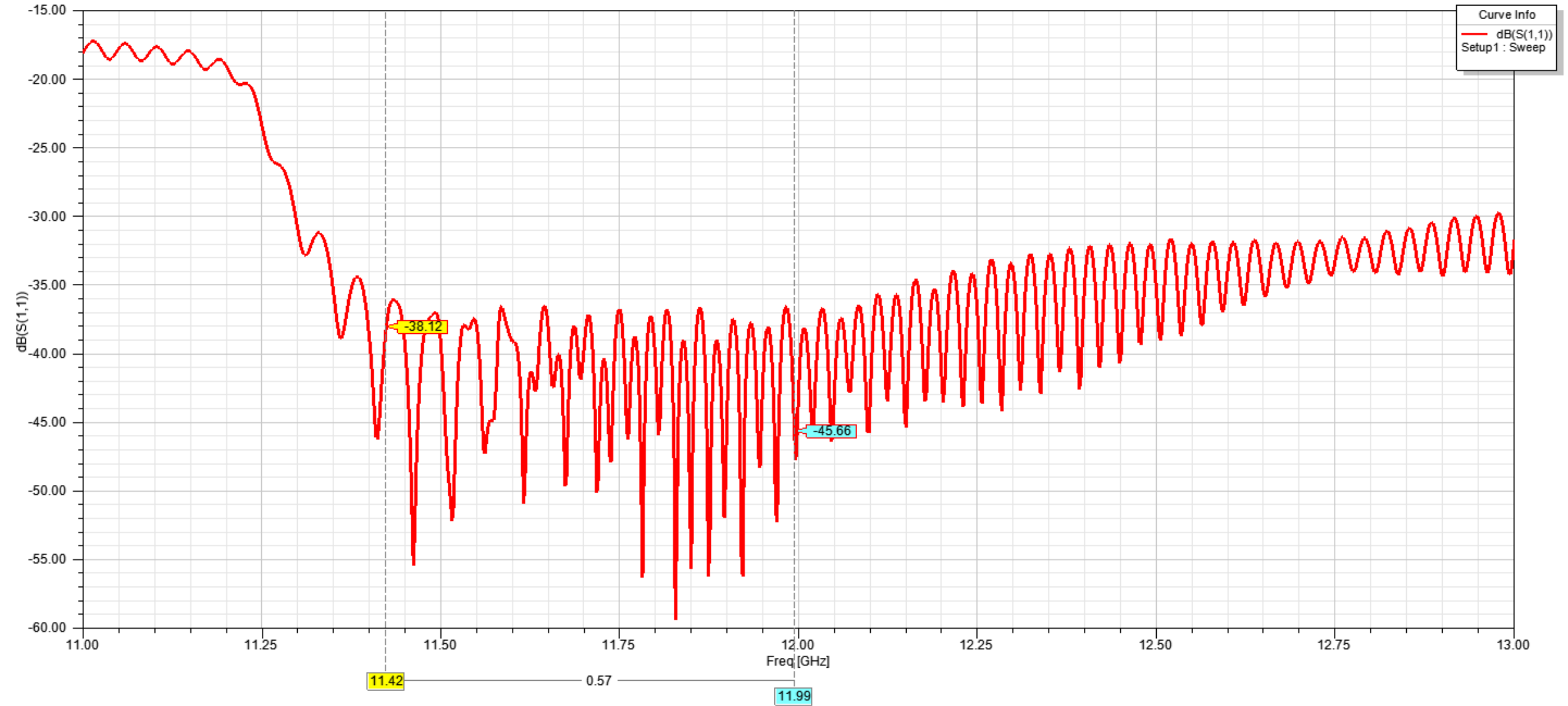


HFSS Results of The Straight Load

- ✓ S_{11} (Reflection)
- ✓ Electric Field
- ✓ Surface Loss Density
- ✓ Poynting Vector

Updated Design Reflection

S11

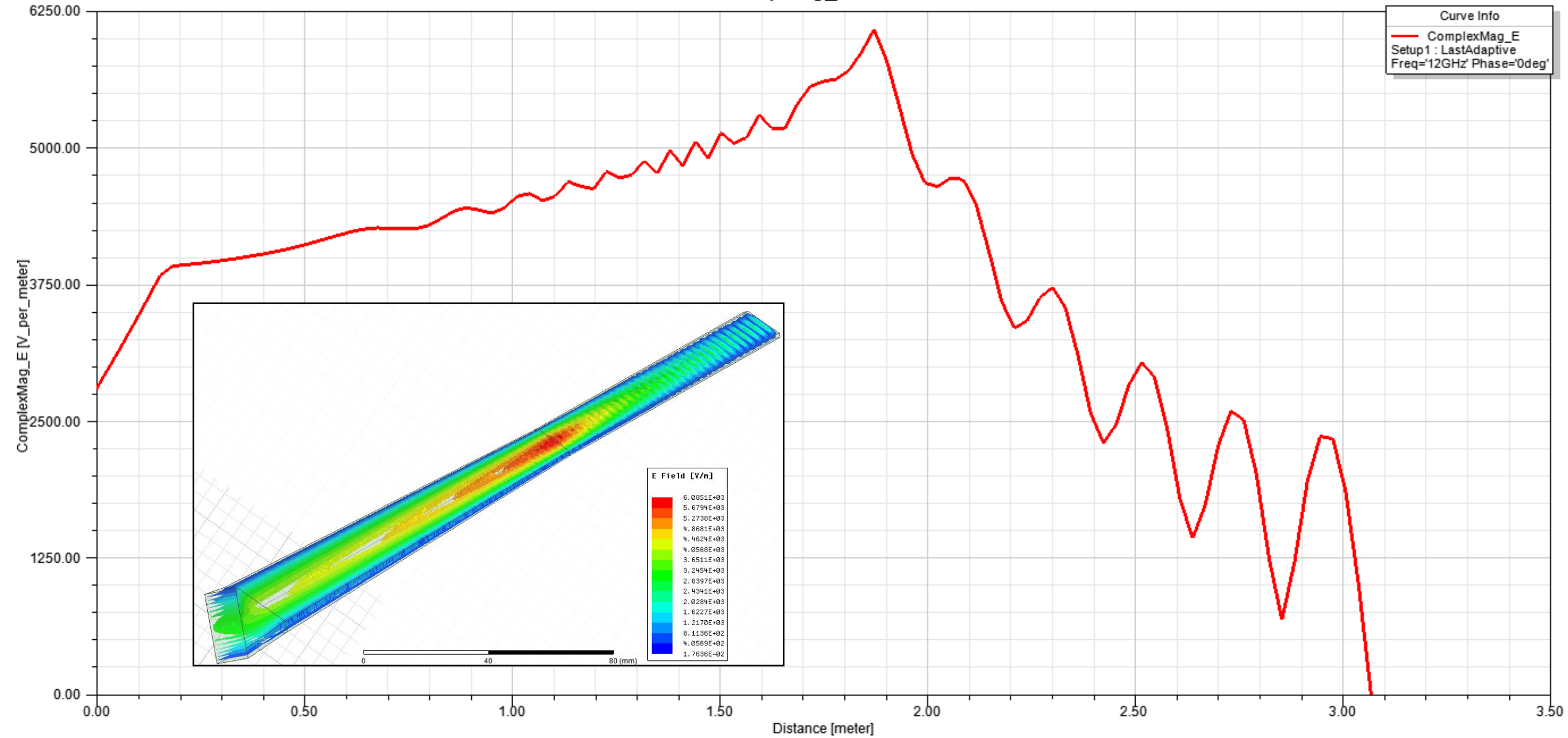


Electric Field (Complex Magnitude)

CompMag_E

Curve Info

— ComplexMag_E
Setup1 : LastAdaptive
Freq='12GHz' Phase='0deg'

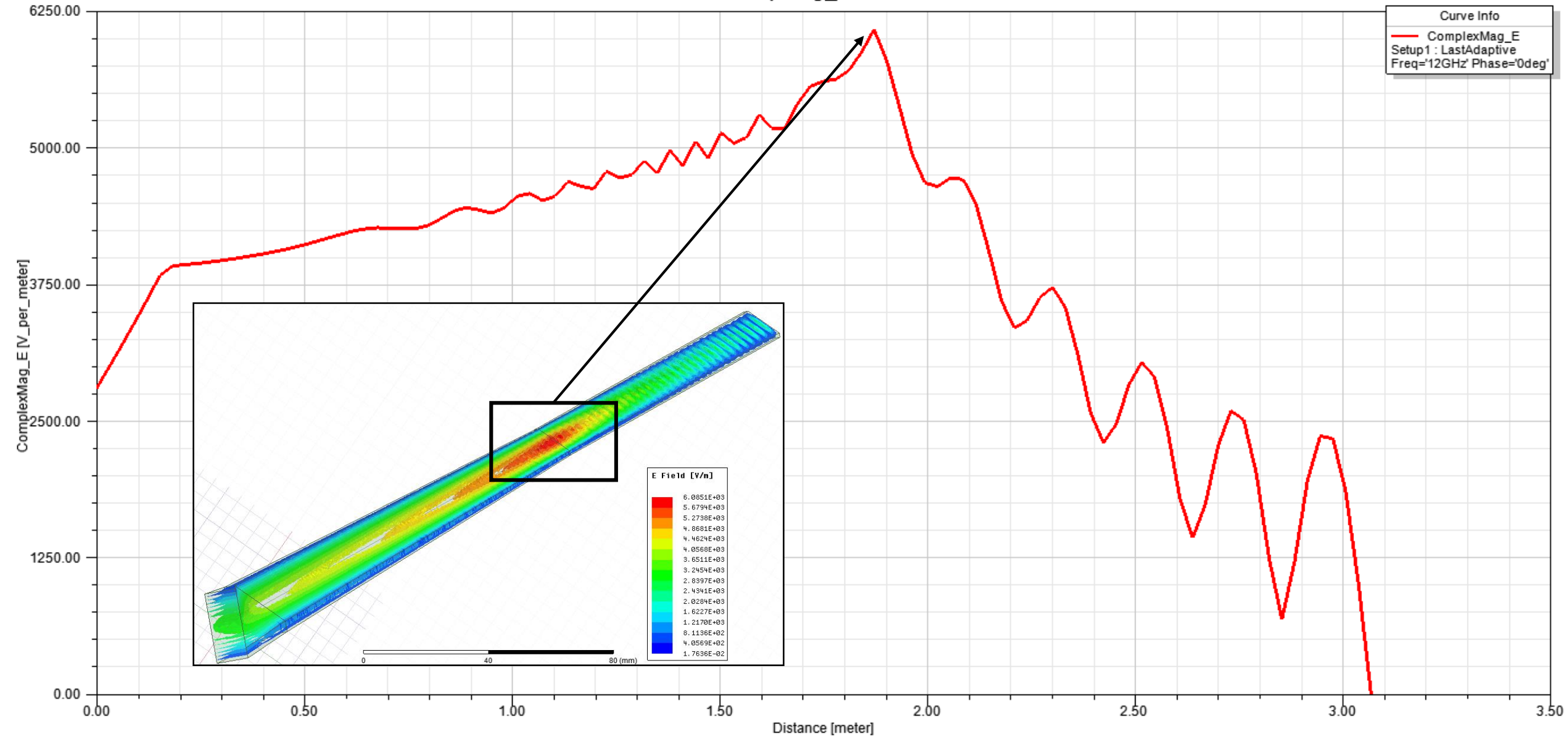


Electric Field (Complex Magnitude)

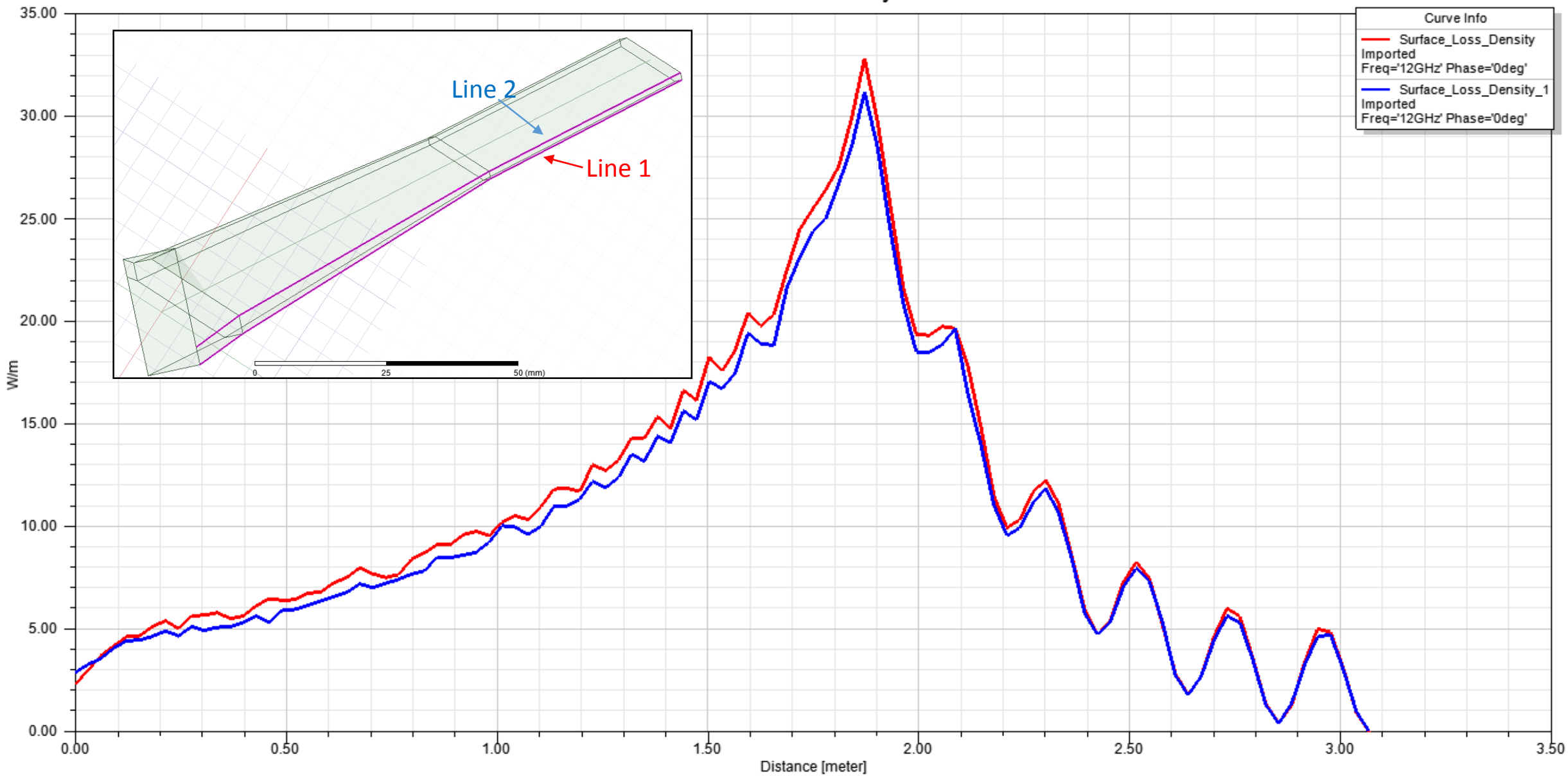
CompMag_E

Curve Info

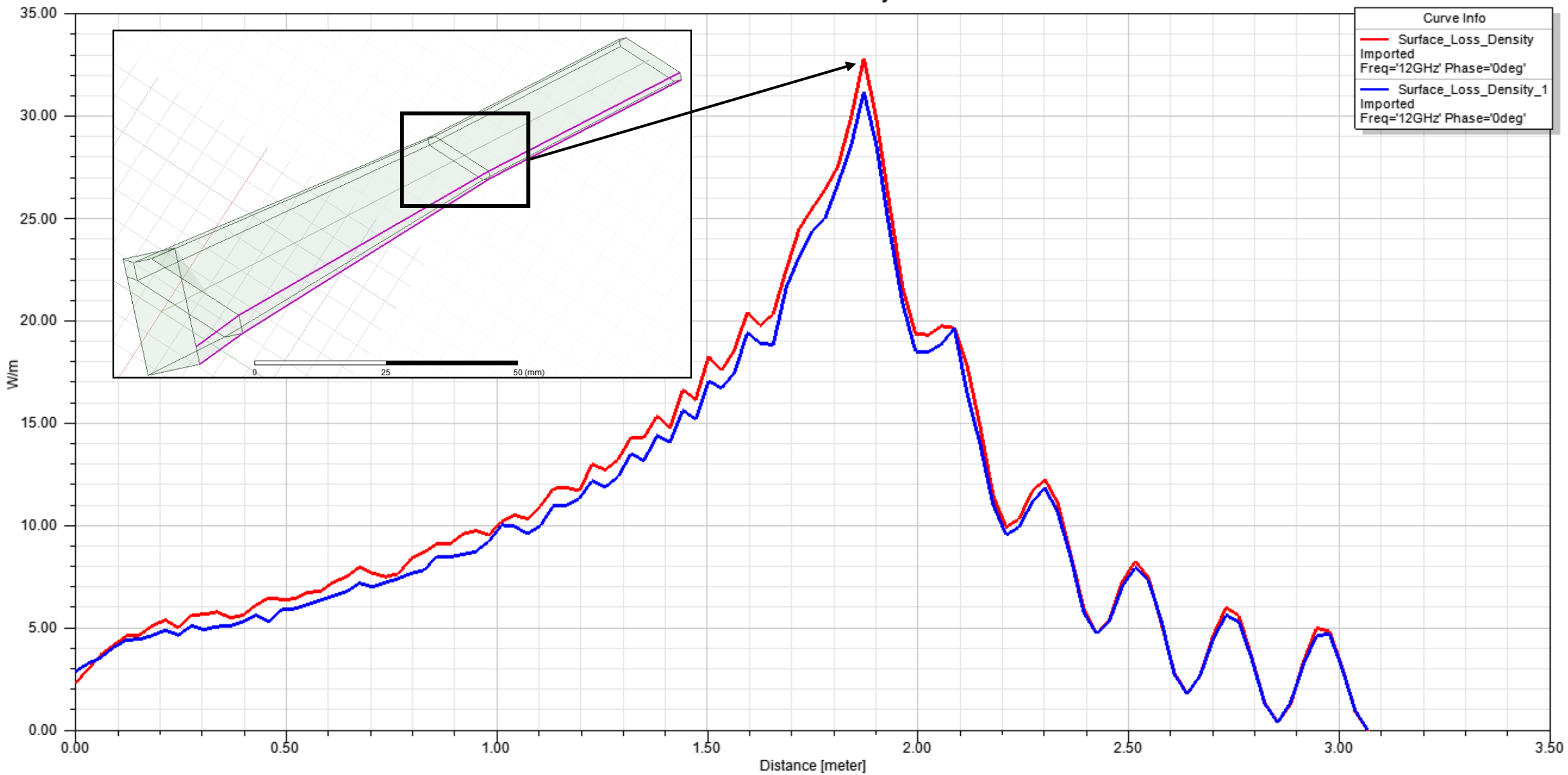
— ComplexMag_E
Setup1 : LastAdaptive
Freq='12GHz' Phase='0deg'



Surface Loss Density

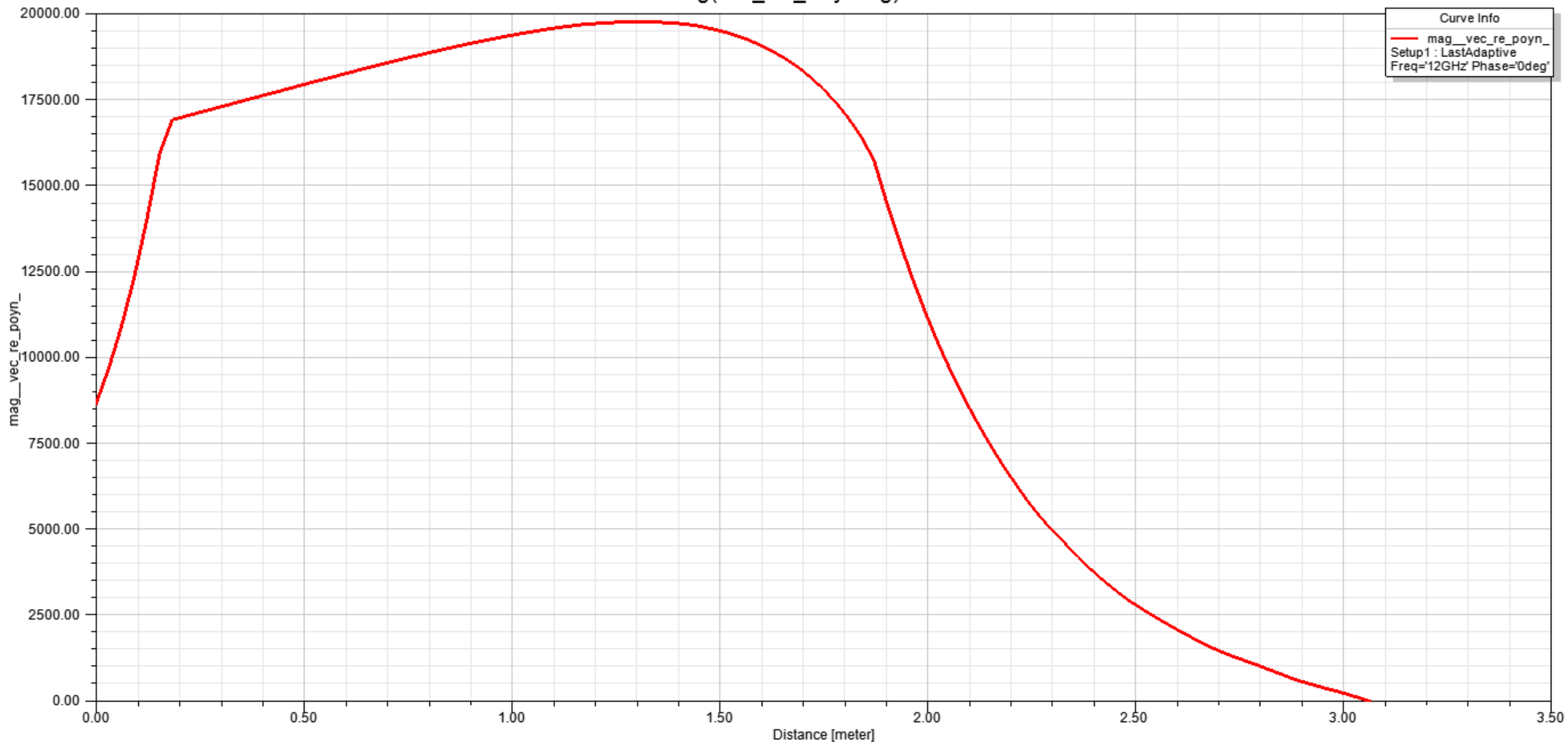


Surface Loss Density



Poynting Vector

Mag(vec_Re_Poynting)



Curve Info
— mag_vec_re_poynt_
Setup1 : LastAdaptive
Freq='12GHz' Phase='0deg'

Thanks for your attention!

Spare Slides