

East Hall under construction - 1962

East Area Renovation: Project Team meeting #32 EA News from b.157&b.352

Aboubakr Ebn Rahmoun / EN-EA, 22-11-2019



ENGINEERING
DEPARTMENT



East hall, activities overview

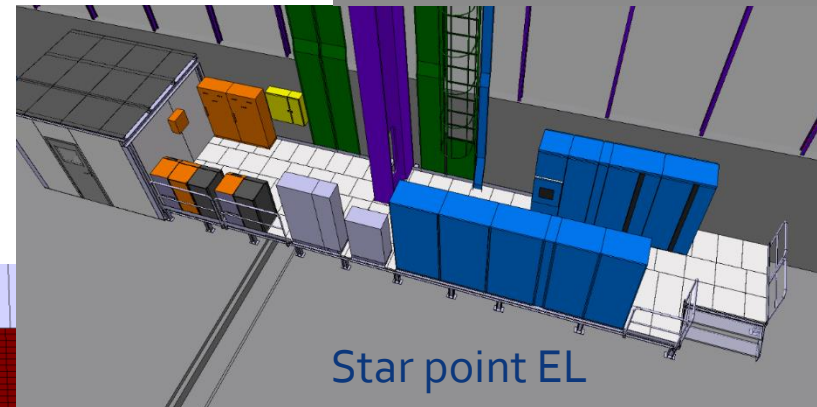
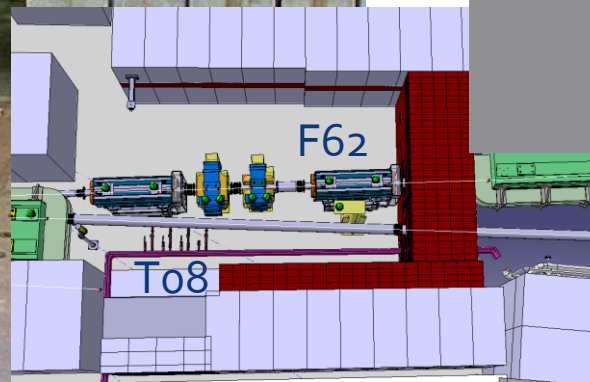
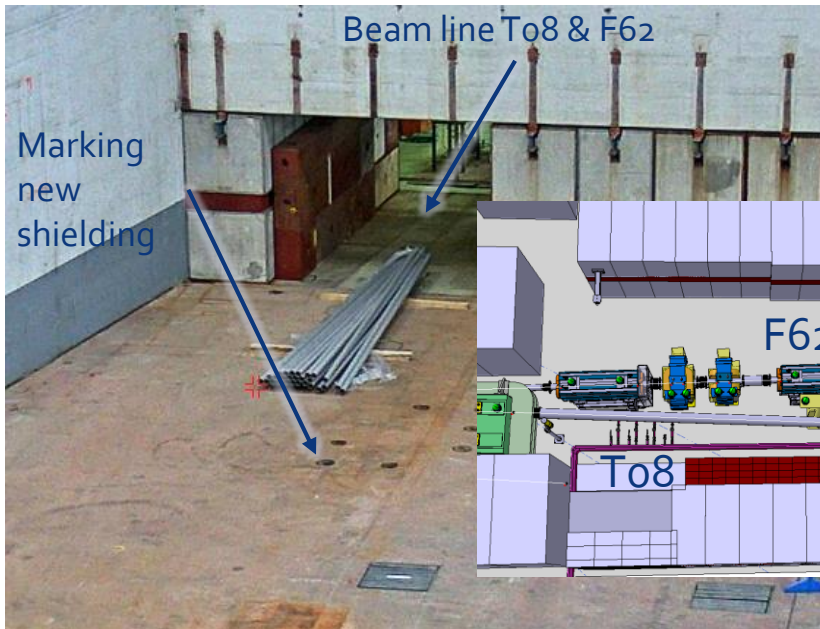
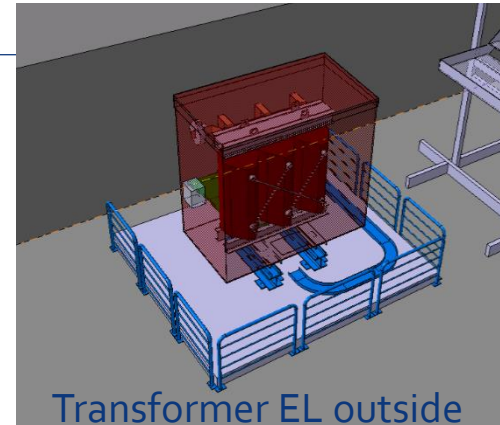
- B.157
 - Dismantling (primary area)
 - The primary area is declassified on supervised area
 - The shielding dismantling, on going
 - De-cabling EL and services, done
 - Floor load validation from HSE, tests of the ground structures
 - Simple on test by SMB
 - EN-CV installation
 - Removing water & air pipes, galleries, North and South walls
 - Civil engineering
 - Sky-dome installation done
 - Need to stop PR-67 during 2-3 days for scaffolding removing and access to the roof
 - The CLOUD run on going, **many people**
 - Preparation of the CLOUD reorganization,
 - EN-SMM, check Alti. Of IRRAD&CHARM
 - Laser scan in primary area, EN-SMM,
 - Ground marking of the shielding blocks location
 - IT and Swisscom,
 - Moving GSM from South shielding to South wall



East hall, work in progress

- B.157 Installation new configuration

- Dismantling old shielding between 352-157
 - Removed blue metallic structure done (lead on the paint)
 - Installation of new shielding between PS-157
 - Ground marking, done
- EN-SMM, installation shielding in primary area on preparation for marking
- Closure between PS & 157 before until DSO Test march 2020? Wall or fence?
- EN-EL, transformer & star point installation North Wall

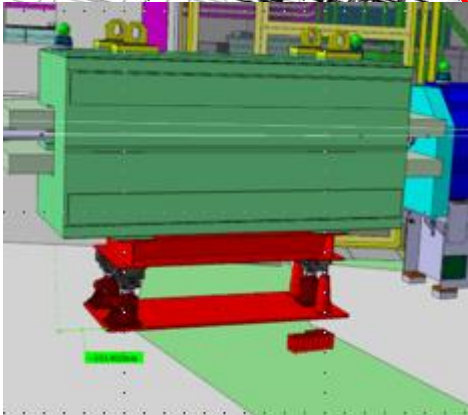
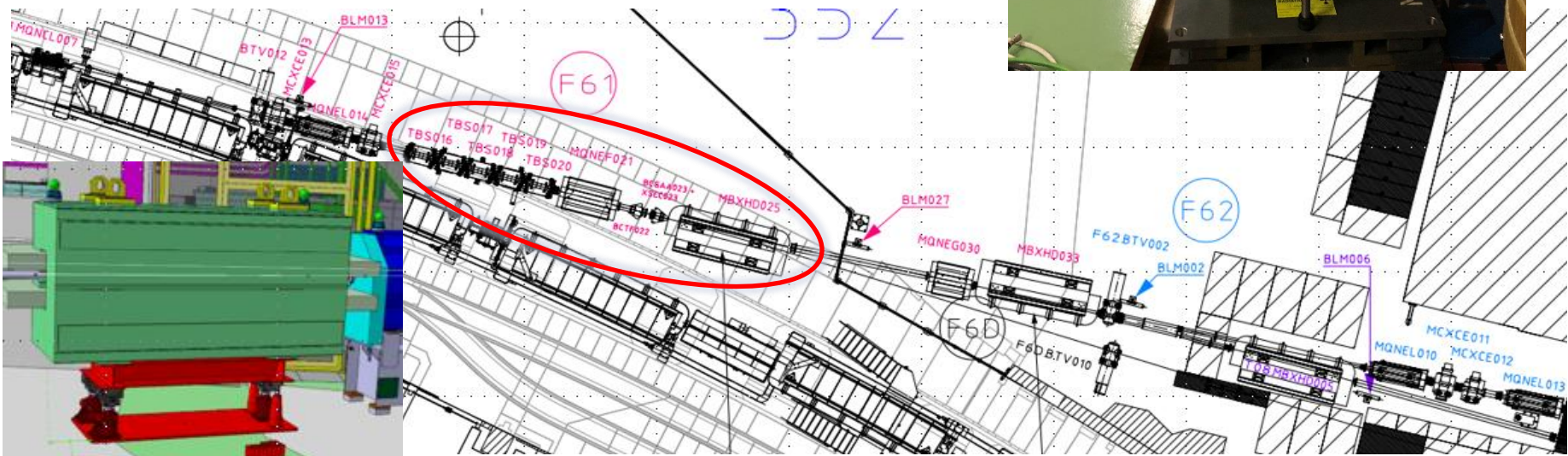


Primary area, progress



B.352, PS area

- B.352, PS –F61
 - Cleaning & painting floor(rest corridor and below blocks)
 - **Ground Marking done, (need to reschedule Q74 marking)**
 - Needed to close vacuum sector of PS
 - Magnet supports ready@b.157
 - Installation of first supports ongoing
 - EN/CV, installation of water pipe for the magnets, on going
 - TE/MS&EA, preparation of magnets installation
 - EN/CV, ACE, HE&EA coactivity's during November-December
 - EN/HE&EA check methods of MCB magnet installation



Questions?



EAST AREA RENOVATION

