

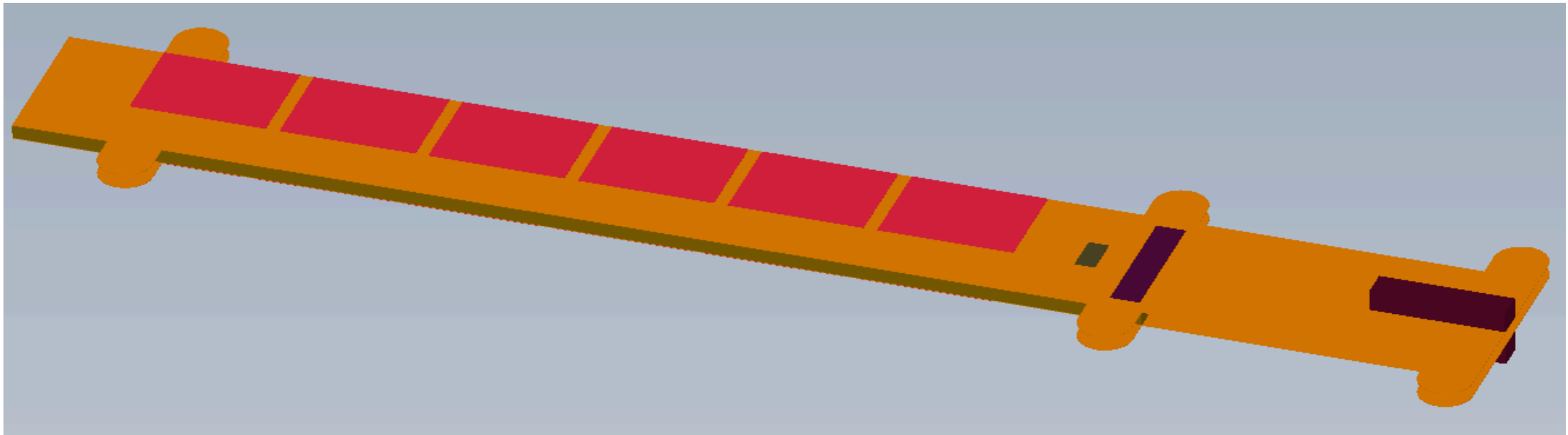
# MECHANICAL DESIGN

PLUME Meeting

*26/2/10*

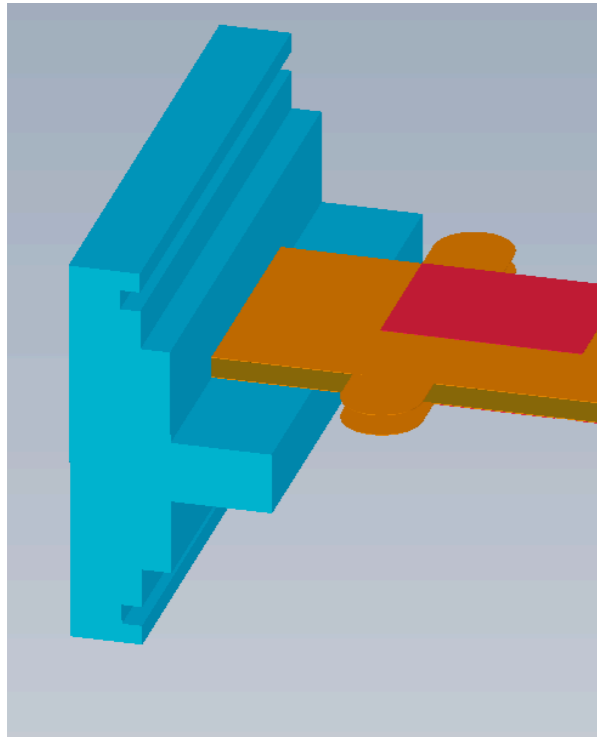
Joel Goldstein

# Ladder

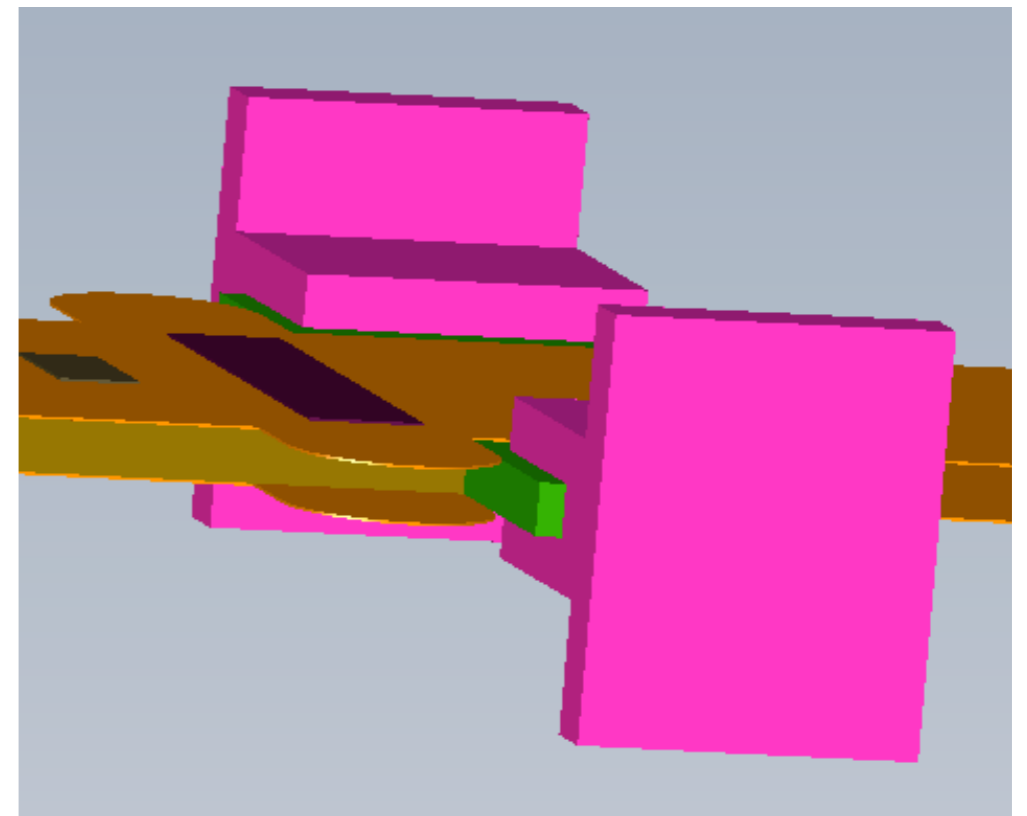
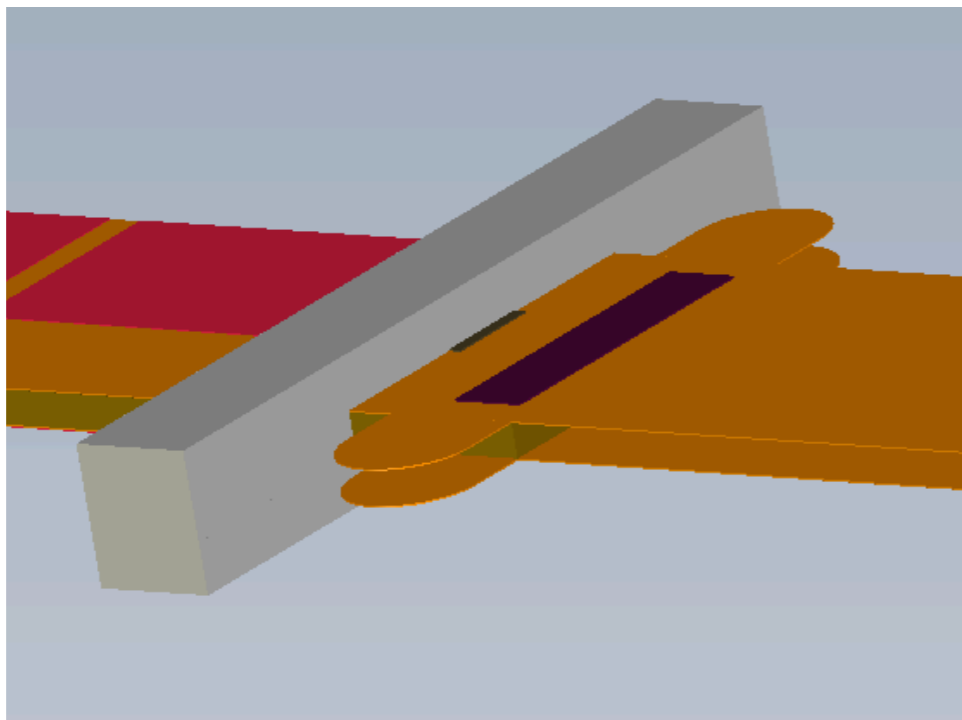


- \* 2 mm silicon carbide foam core
  - \* Simple rectangle
  - \* Up to J1/cut line
  - \* Order next week
- \* *(NB Drawing not quite correct)*

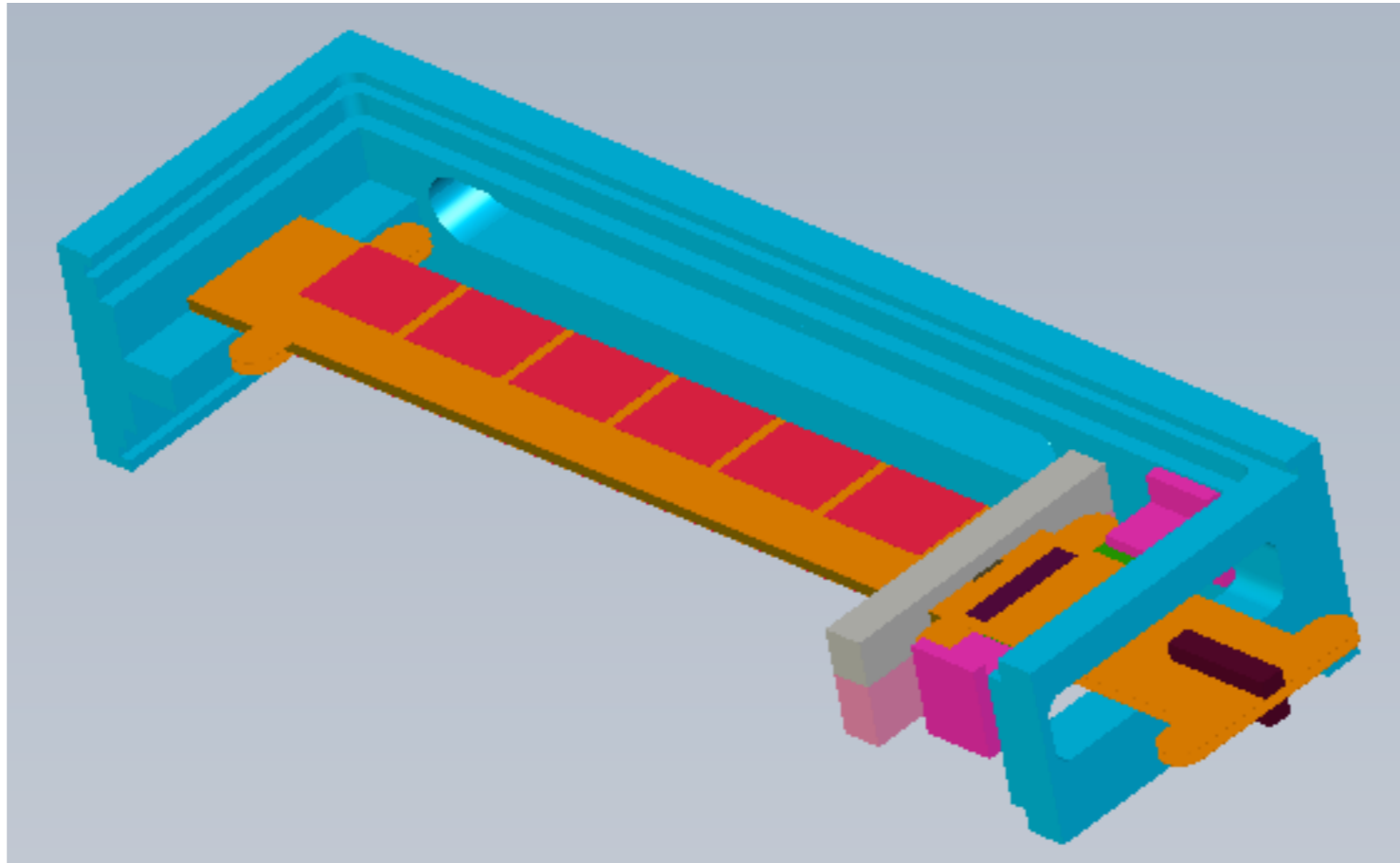
# Mounting



- \* Foam fully constrained at far end
  - \* Adhesive joint
- \* Flex end should allow longitudinal motion
  - \* PTFE clamp
  - \* Sliding joint

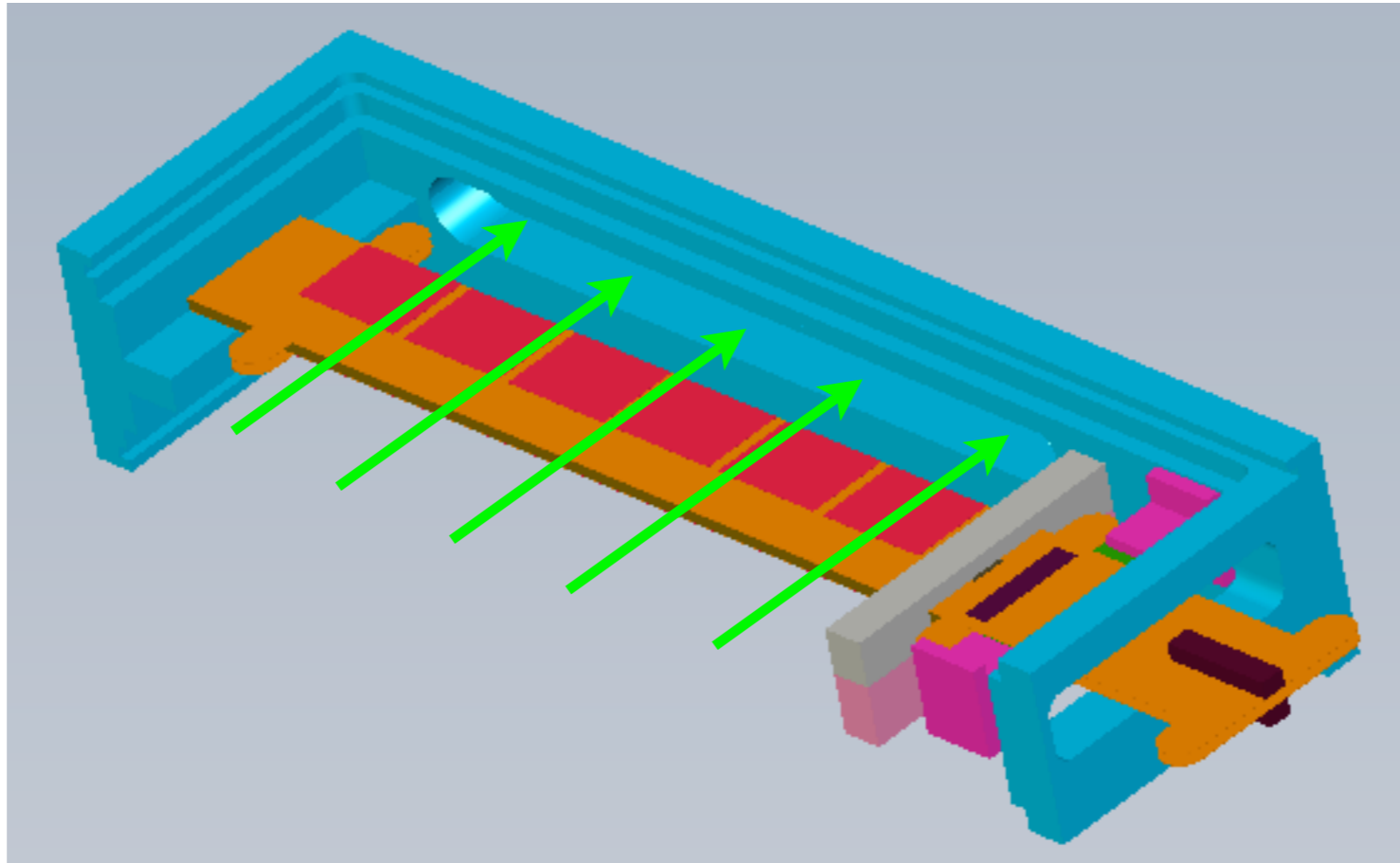


# Box



- \* Rigid sides, foil top and bottom
- \* Transverse gas flow
  - \* Higher flow rate
  - \* More even temperature

# Box



- \* Rigid sides, foil top and bottom
- \* Transverse gas flow
  - \* Higher flow rate
  - \* More even temperature