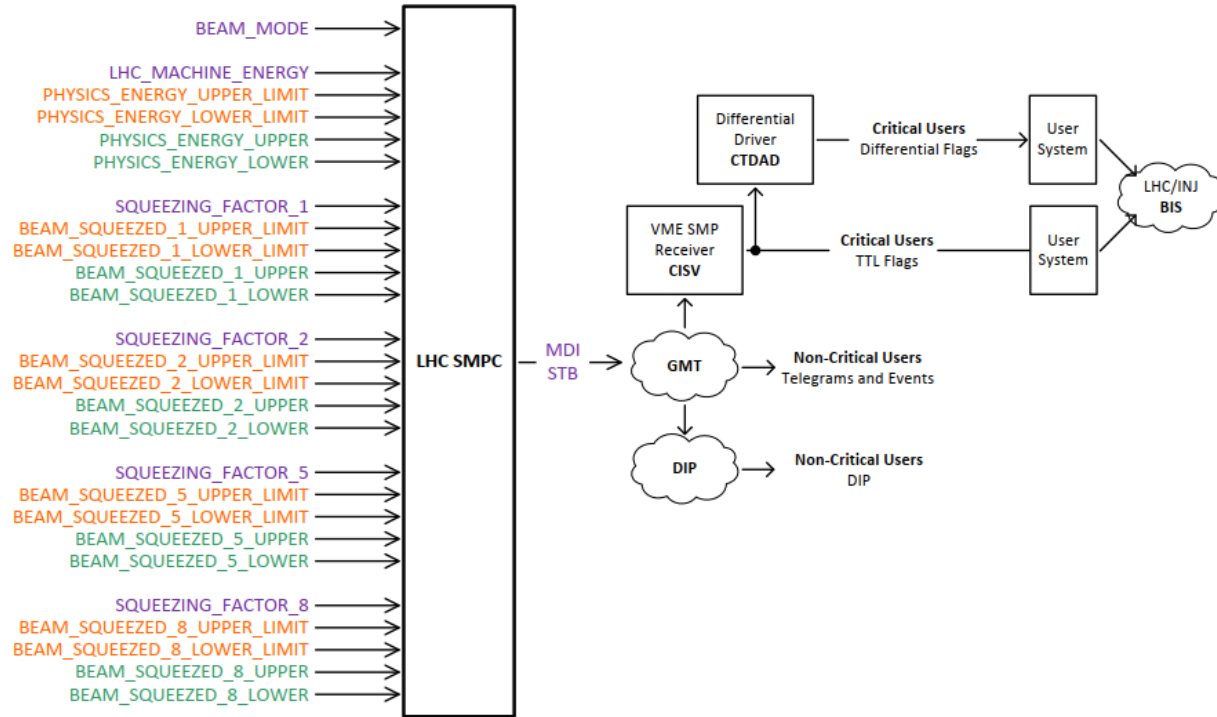


MDI and STB flags generation



Limits

PRESENT LIMITS

CISGL_SQUEEZED_MAX_WINDOW = 30m

CISGL_SQF1_UPPER_LIMIT = 655m (Max in 16 bit)

CISGL_SQF2_UPPER_LIMIT = 655m (Max in 16 bit)

CISGL_SQF5_UPPER_LIMIT = 655m (Max in 16 bit)

CISGL_SQF8_UPPER_LIMIT = 655m (Max in 16 bit)

CISGL_SQF1_LOWER_LIMIT = 1 cm

CISGL_SQF2_LOWER_LIMIT = 1 cm

CISGL_SQF5_LOWER_LIMIT = 1 cm

CISGL_SQF8_LOWER_LIMIT = 1 cm

- Jorg reported that **no changes are needed**
- Values in SMP Functional Specs (EDMS 1096447):
 - **MAX_WINDOW** = 1.0 m
 - **UPPER_LIMIT** = 4000 m
 - **LOWER_LIMIT** = 0.4 m
 - To be updated

