

# XCET East Area

## EA Equipment Meeting

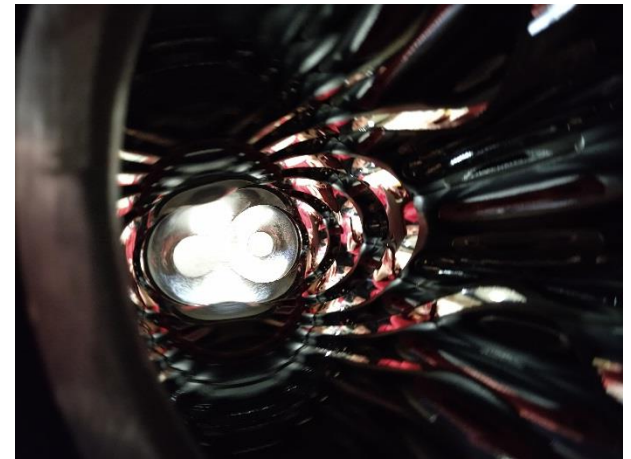
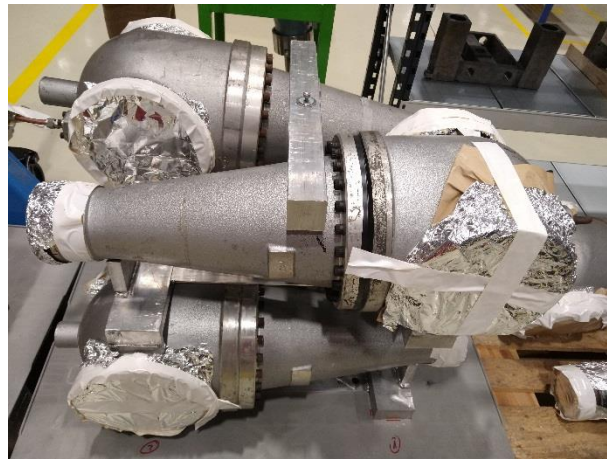
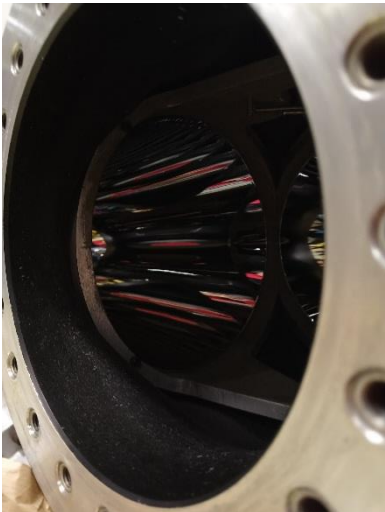
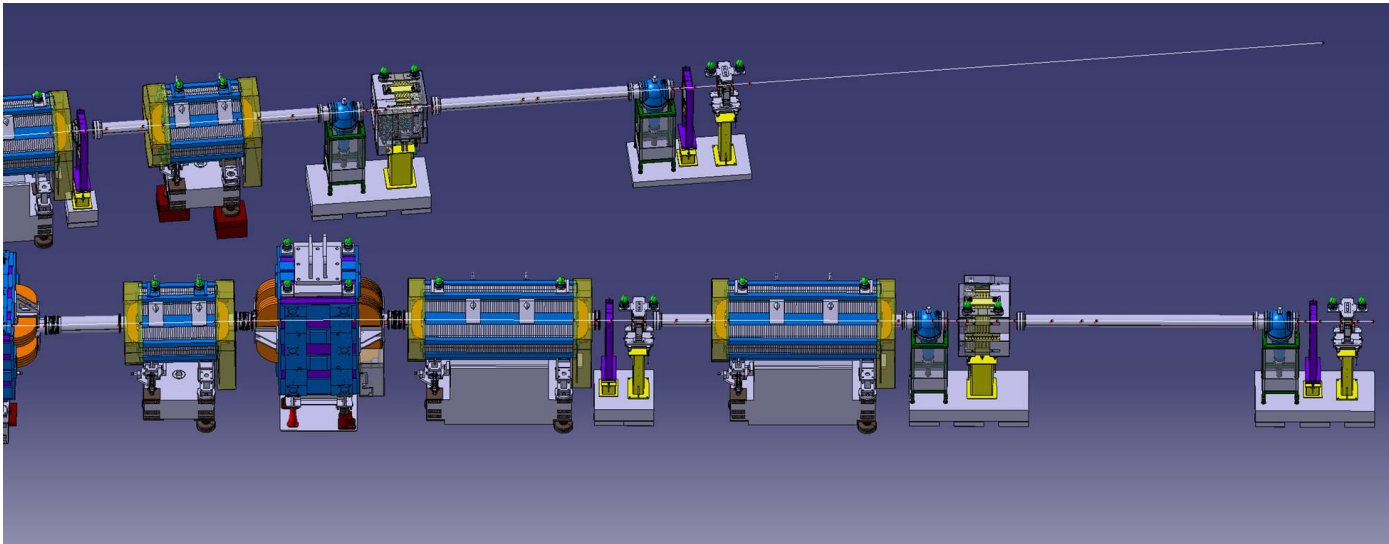
*Aymeric BOUVARD (EN-EA-DC)*

11-11-2019



ENGINEERING  
DEPARTMENT

# XCET EAST AREA



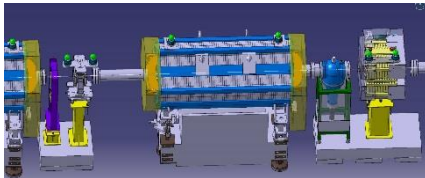
# Planning

- XCET East Area: 4 XCET (T9 and T10 Line)

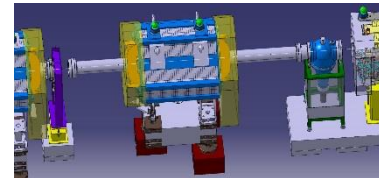
## Installation **May 2020**

- 3D model – Done
- 2D drawings – Done
- Order of windows – Done
- Research of mechanical manufacturer – Done
  - Tubes: KOHLER
  - Flanges: CERN workshop (AP)
- Manufacturing of mechanical parts – In progress – Delivery before end of 2019
- Research of Mirrors supplier- November 2019
- Order of Mirrors – Before end of 2019
- Mechanical assembly and Gas panel assembly – February 2020
- Pressure test – March 2020
- Functional test (867/R-L40) – April 2020
- Installation - May 2020
  - Welding and pressure's test for two XCET directly in the Area (T9 and T10).

Procedure must be confirmed with HSE.



T9



T10



ENGINEERING  
DEPARTMENT

**Thank You**