

East Hall under construction - 1962

4th EN-EA East Area Equipment Review Collimators planning.

<https://indico.cern.ch/event/860674/>

S. Girod EN-EA

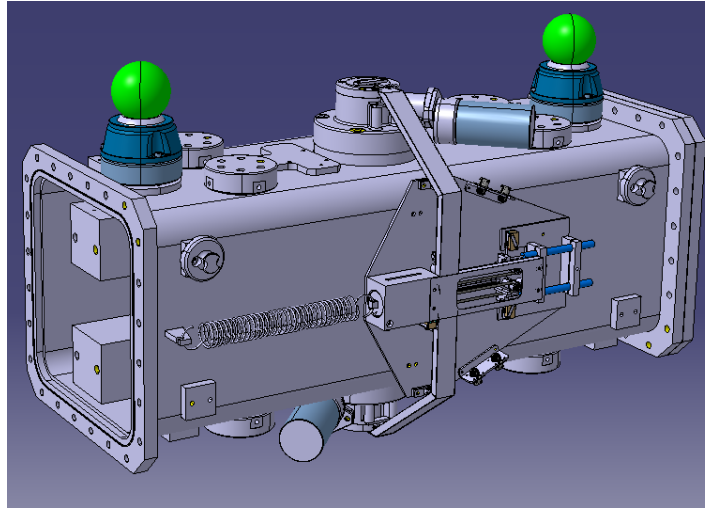


ENGINEERING
DEPARTMENT

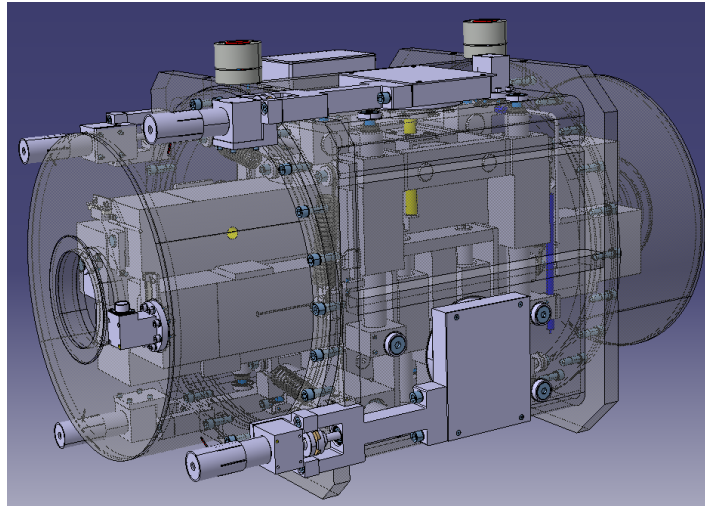


Collimators in East area

- 2 jaws collimators:
 - 2xXCSH
 - 1xXCSV

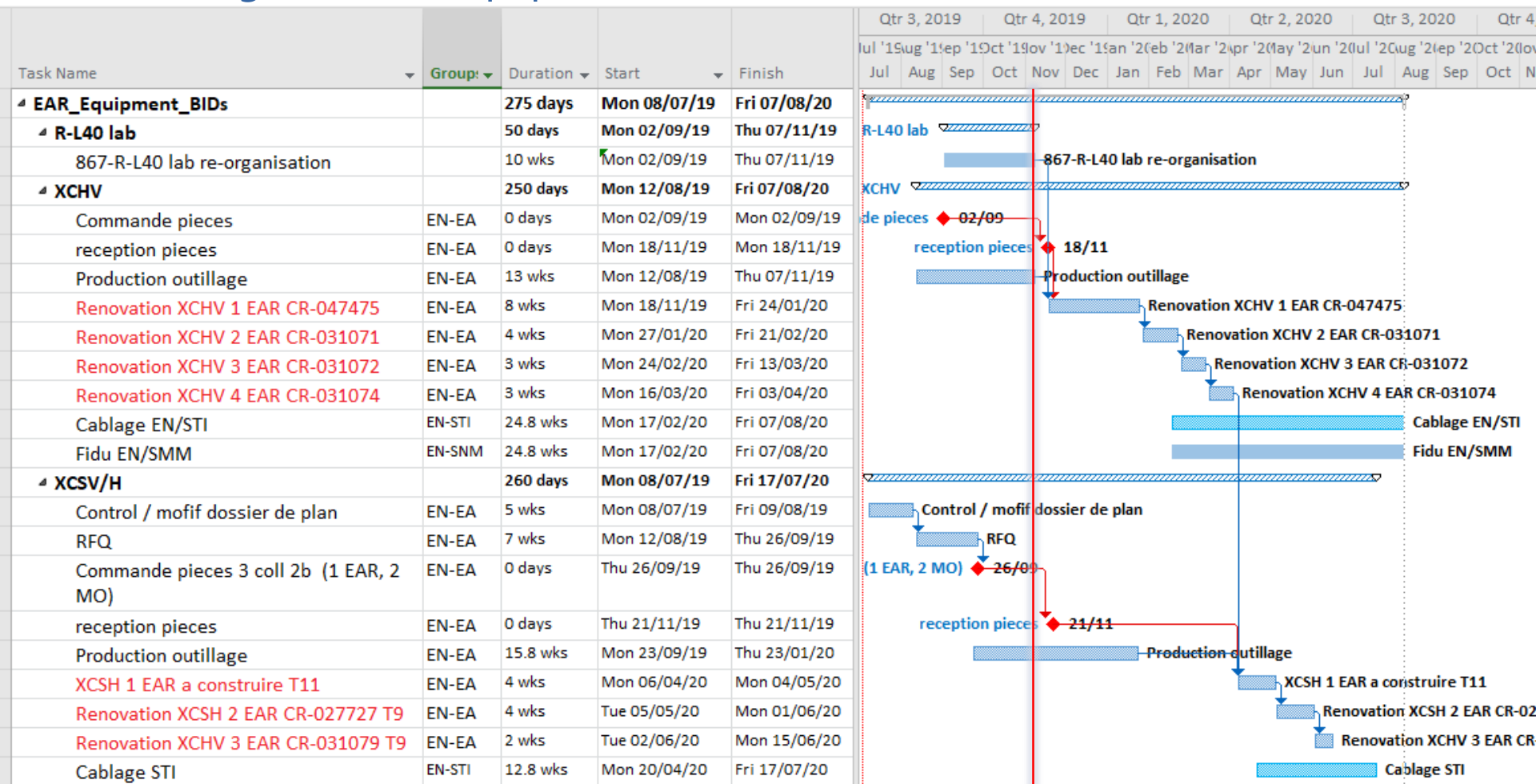


- 4 jaws collimators:
 - 4xXCHV



Collimators renovation planning

Planning LS2_EA_equipment_BIDs



Divers

- 10 universal tables ordered → delivery Sep 2019
- 3 tanks XBPF with XBPF flanges ordered → delivery Nov 2019
 - 6 flanges DN219 to be send to the manufacturer (via P. Frichot)
- 1 tank XBPF with flanges available at 867/R-L40

