

East Hall under construction - 1962

East Area Coordination meeting #16 Activities, b.157 & b.352

Aboubakr Ebn Rahmoun / EN-EA, 13-11-2019



ENGINEERING
DEPARTMENT



General information b.157

- HSE, EP, BE & EA, by help of Evelyne D. & Louis-Frederic A.
 - Hall, emergency evacuation plan & extinguisher point ✓
 - Primary area, emergency evacuation plan going update,
- Merci de noter que, à dater du 14 octobre 2019, vos interlocuteurs HSE pour l'amiante, et notamment pour les demandes de diagnostics avant travaux/démolition, sont, par ordre de priorité :
 - Mathieu Lemetayer – 165062-> Diagnostique amiante
 - Olivier Prouteau – 160883
 - Yannick Beraud – 166346-> Diagnostique plomb
- Access system reinstallation on the South and North Wall
- CLOUD dismantling preparation, meeting Thursday 14th nov.
- Scaffolding removed on PR-39
- Cable problem(25t) on the crane PR-67, maintenance, test done
- Water leak above IRRAD&CHARM barracks
 - New CV installation done,
 - **Cleaning, Electrical and roof renovation on pending? CERN insurance waiting!**
- New planning Officer, Bastien RAE



PPE – What do I need to know

SAFETY RULE: Give always priority to collective protective over Personal Protective Equipment

BY LAW: Employers have a legal obligation to provide employees with all necessary PPEs
 Employees have a legal obligation to wear them (CERN / Contractor / Institute)

LESSONS LEARNT: Individual Protection does not replace good preparation and safety training

WARNING: Any breach of the safety rules, including PPE, will result in the loss of access rights



Required PPE and safety devices	Helmet + Lamp	Safety shoes	Personal Dosimeter CERN + Employer	Operational Dosimeter	Self-rescue mask	ODH Detector
LHC Tunnel	Mandatory	Mandatory	Mandatory	In LSS1/3/5/7 + UD62/68	Mandatory	Mandatory ARCs + He
LHC Experimental caverns	Mandatory	Mandatory	Mandatory	Check RP classification in IMPACT	Upon request LEXGLIMOS (IMPACT)	Upon request LEXGLIMOS (IMPACT)
SPS Machine + TI2 + TI8	Mandatory	Mandatory	Mandatory	Mandatory Except TI2/8	Mandatory	-
Linacs, PSB, PS LEIR + TT2 + TT7o	Mandatory	Mandatory	Mandatory	Mandatory Except LEIR, TT70	-	-
North + East Experimental Areas AD, ISOLDE	Mandatory	Mandatory	Mandatory	Check RP classification in IMPACT	-	-
Technical Buildings and Galleries	Check on safety warnings	Check on safety warnings	Check on safety warnings	Check RP classification in IMPACT	Check on safety warnings	Check on safety warnings

For more details: ask your supervisor or Safety Officer

PPE: Personal Protective Equipment
 RSO: Radiation Safety Officer
 RPO: Radiation Protection Officer

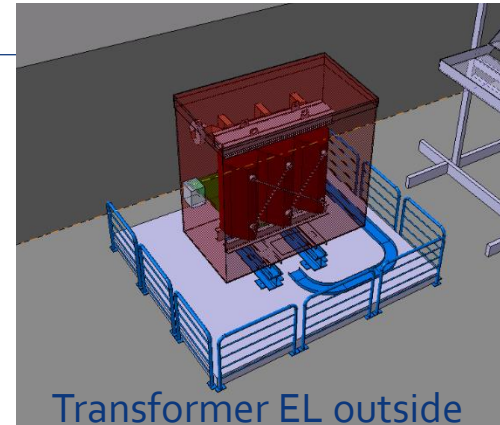
East hall renovation

- B.157
 - Dismantling (primary area)
 - The primary area is declassified on supervised area
 - The shielding dismantling, on going
 - De-cabling EL and services, done
 - Floor load validation from HSE, tests of the ground structures
 - NEEDED rapidly for the shielding installation
 - EN-CV installation
 - Removing water & air pipes, galleries, North and South walls
 - Need to adjust temperature of the hall.
 - Civil engineering
 - Sky-dome installation done
 - Need to stop PR-67 during 2-3 days for scaffolding removing and access to the roof
 - The CLOUD run on going, many people
 - EN-EL, quotation de-cabling DC cables between 156-157
 - EN-SMM, check Alti. Of IRRAD&CHARM , done
 - Laser scan in primary area, EN-SMM, planned 15th Nov.
 - IT and Swisscom,
 - Moving GSM from South shielding to South wall

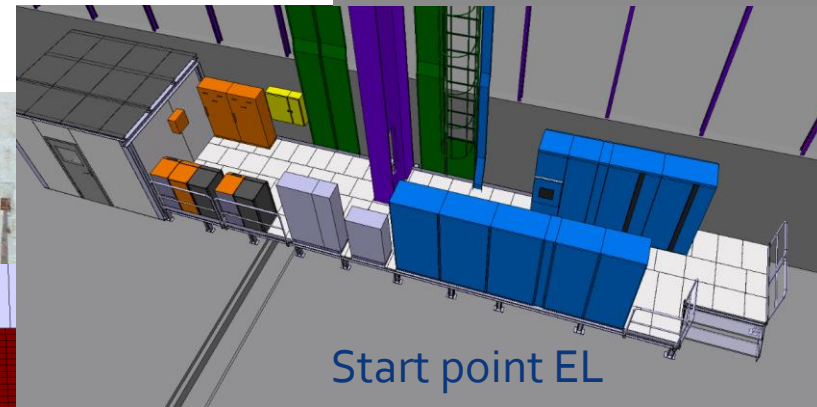
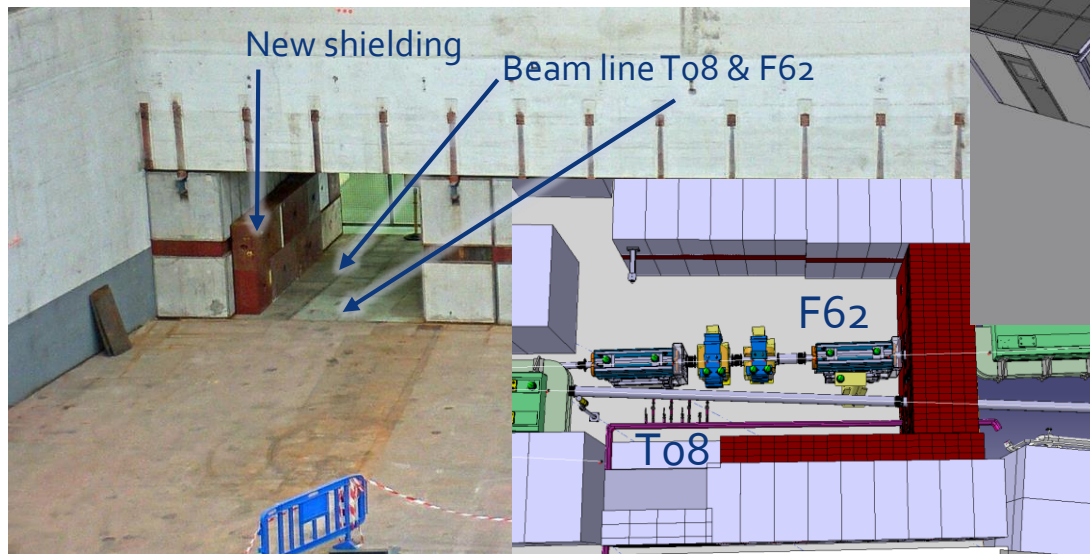
East hall renovation

- B.157 Installation new configuration

- Dismantling old shielding between 352-157
 - Removed blue metallic structure on going, (lead on the paint)
 - Installation of new shielding, done
 - Ground marking, done
- EN-SMM, installation shielding in primary area on preparation for marking
- Close between PS&157 before march 2020? Wall or fence?
- EN-EL, transformer & start point installation North Wall
 - Need to remove one layer of iron blocks



Transformer EL outside

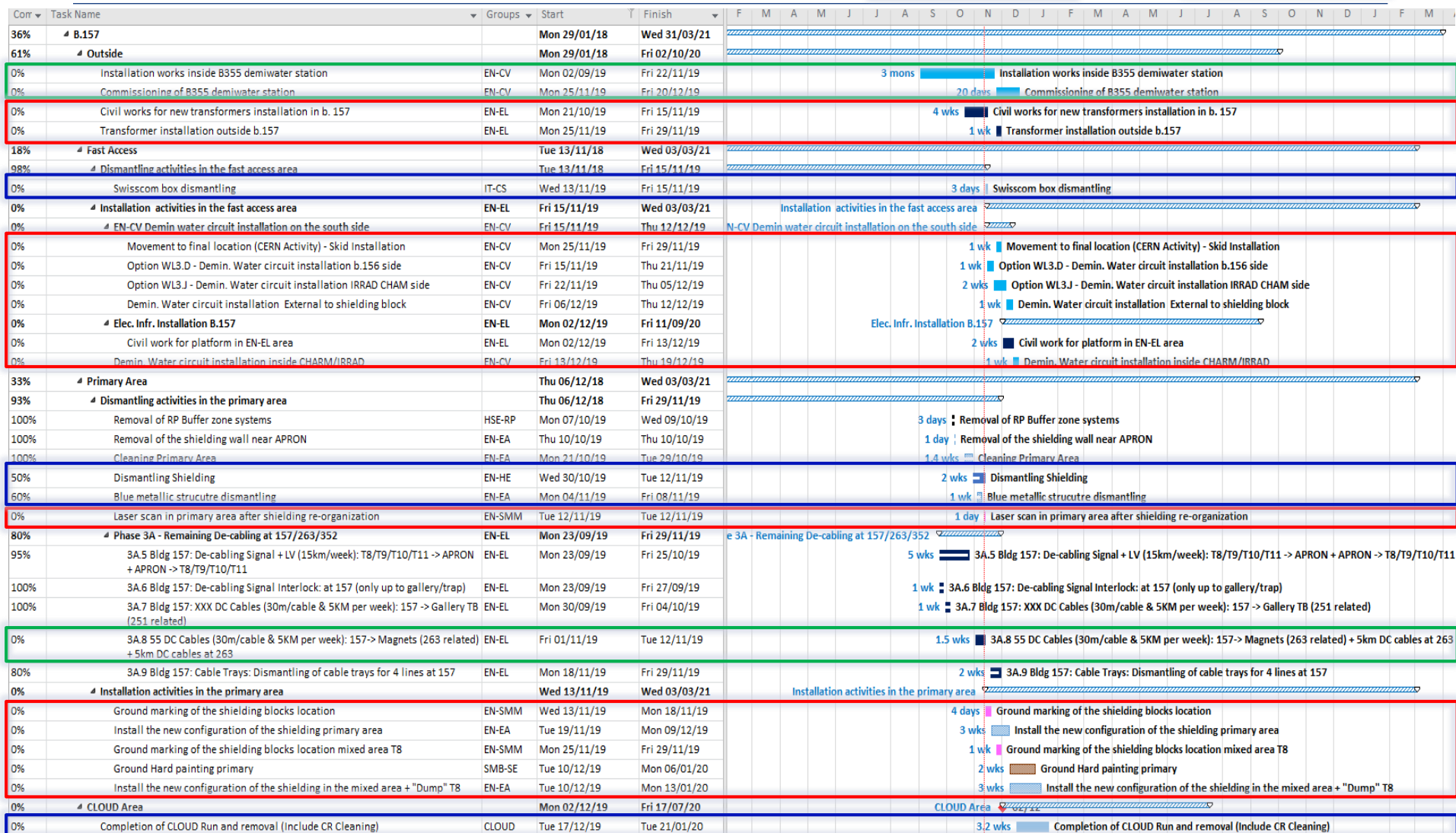


Start point EL

Planning b.157

Will start

Started



B.352, PS area

- B.352, PS –F61
 - Cleaning & painting floor(rest corridor and below blocks)
 - Ground Marking done, (need to reschedule Q74 marking)
 - Magnet supports ready@EHN1, pending TREC & transport
 - They will be sent to the b.157
 - EN/HE &EA check methods of installation
 - EN/CV ACE&EA coactivity's during November
 - TE/MSC&EA preparation to delivery the magnets @157

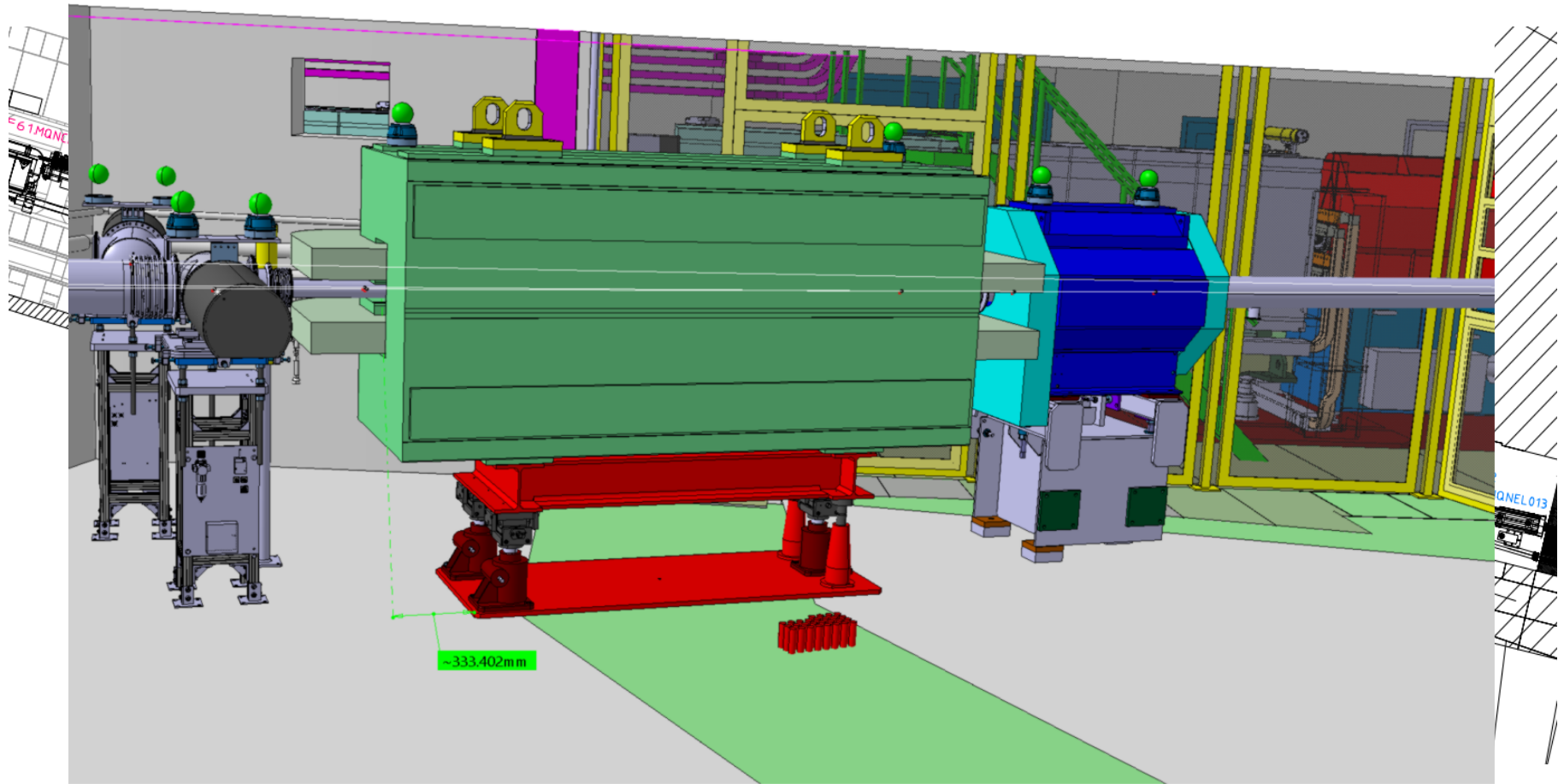


Will start

Started

Progress	Activity	Category	Start	End	Duration	Notes
53%	▲ B.352 (PS)		Fri 01/02/19	Wed 21/10/20	352 (PS)	
97%	▲ Dismantling activities in b.352		Fri 01/02/19	Mon 23/09/19	in b.352	
95%	▲ Phase 3A - Remaining De-cabling at 157/263/352	EN-EL	Fri 01/02/19	Fri 20/09/19	163/352	
80%	3A.4 Bldg 352: De-cabling Signal + LV (15km/week): 352 -> APRON + APRON -> 352	EN-EL	Mon 09/09/19	Fri 20/09/19	2 wks	3A.4 Bldg 352: De-cabling Signal + LV (15km/week): 352 -> APRON + APRON -> 352
100%	General cleaning	EN-EA	Mon 23/09/19	Mon 23/09/19	0.5 days	General cleaning
15%	▲ Installation activities in b.352		Mon 01/07/19	Mon 22/06/20	on activities in b.352	
100%	Cleaning	EN-EA	Wed 09/10/19	Wed 09/10/19	1 day	Cleaning
90%	Painting	EN-EA	Mon 14/10/19	Wed 23/10/19	8 days	Painting
0%	Network consolidation in b.352	EN-SMM	Wed 16/10/19	Tue 22/10/19	1 wk	Network consolidation in b.352
95%	Ground marking in b.352	EN-SMM	Mon 28/10/19	Fri 01/11/19	1 wk	Ground marking in b.352
0%	Mechanical supports installation in b.352	EN-EA	Mon 04/11/19	Fri 29/11/19	4 wks	Mechanical supports installation in b.352
0%	Plugin supports installation for beam stoppers in b.352	EN-STI	Mon 04/11/19	Fri 29/11/19	4 wks	Plugin supports installation for beam stoppers in b.352
2%	Install the demineralized cooling circuit in B.352	EN-CV	Mon 04/11/19	Fri 15/11/19	2 wks	Install the demineralized cooling circuit in B.352
0%	Support leveling in b.352	EN-SMM	Mon 02/12/19	Fri 13/12/19	2 wks	Support leveling in b.352
0%	Magnets installation in b.352	TE-MS	Mon 16/12/19	Fri 24/01/20	4 wks	Magnets installation in b.352

View of extraction beam line, PS



Activities

Intitulé	Bâtiment	Responsable	N° VIC	Date VIC	N° IMPACT	Date IMPACT
Coordination et suivi renovation 157	157	Aboubakr E. (EN-EA)			134292	03/06/2019
CLOUD - input chamber valve replacement	154/CLOUD	Louis-P. D.M. (EP/DT)			134250	03/06/2019
CLOUD airflow measurements	157/CLOUD	Stefan W. (EP-DT)	EDMS:2102533	31/01/2019	134445	04/06/2019
Professional visit of a team (14 persons) from DESY on CERN premises on June 11-13, 2019 - East Hall B.157	157/Estrade SUD	SEBASTIEN EVRARD			134435	04/06/2019
Repair of Huber cooling plants in T11 bld 157	157/CLOUD	ROBERT K. (EP/DT)	EDMS:2102533	31/01/2019	135071	13/06/2019
Percage dalles caniveau entre le 156 et 157	157/156	GUILLAUME RAIMONDI			135173	14/06/2019
Input chamber valve replacement	157/CLOUD	Louis-P. D.M. (EP/DT)			135261	16/06/2019
Inspection dégats des eaux b.157	157	Aboubakr E. (EN-EA)			135544	19/06/2019
Visit of the European Space Agency delegation	157/CHARM	Salvatore			135948/136168	24/06/2019
Nettoyage CHARM/IRRAD	157/CHARM/IRRAD	Paulo A.F.D.C (SMB-SIS)			135658	20/06/2019
Insrument layout planning	157/CLOUD	Hanna M. (EP/DT)	EDMS:2102533	31/01/2019	135890	24/06/2019
Gas storage: safety planning for new run gases	157/CLOUD	Hanna M. (EP/DT)	EDMS:2102533	31/01/2019	136197	27/06/2019
Visit to B157 for IT-4521 Bidders' Conference	157	Francesco D (EN-CV)			135909	24/06/2019
Cables removal campaign (bdgs 251, 817)	251/817	'AWEL ANDRZEJ BURDELS	VIC5001		135499	24/12/2270
Zone East consolidation- 157 Piping and skid	157	Xavier D. (EN-CV)			136940	05/07/2019
Input chamber valve replacement	157/CLOUD	Louis-P. D.M. (EP/DT)	EDMS:2102533	31/01/2019	137182	10/07/2019
Input chamber valve replacement	157/CLOUD	Louis-P. D.M. (EP/DT)	EDMS:2102533	31/01/2019	137485	15/07/2019
Installation destratificateur	157	Xavier D. (EN-CV)	4377	09/07/2019	136815	04/07/2019
Maintenance du groupe Trane	157/Trane	Xavier D. (EN-CV)			136992	08/07/2019
Chemical cabinet inventory	157/CLOUD	Hanna M. (EP/DT)	EDMS:2102533	31/01/2019	137905	22/07/20199
Airflow measurements with 'Virtual Instruments'	157/CLOUD	Stefan W. (EP-DT)	EDMS:2102533	31/01/2019	138067	25/07/2019
CLOUD airflow measurements with 'Virtual Instruments'	157/CLOUD	Stefan W. (EP-DT)	EDMS:2102533	31/01/2019	138414	01/08/2019
Professional visit with external contractor	157/SMB	Charly G. (SMB)			138703	06/08/2019
Preparing CLOUD14 runs (week 34)	157/CLOUD	Hanna M. (EP/DT)	5145	22/08/2019	139634	16/08/2019
CV temporary supply East Area b.157	157	Marco P. (EN-EL)	5162	27/08/2019	139870	26/08/2019
New valves + expansion system tests + cablage DMFC	157/CLOUD	Louis-P. D.M. (EP/DT)	EDMS:2102533	31/01/2019	140657	09/09/2019
New valves + expansion system tests + cablage DMFC	157/CLOUD	Louis-P. D.M. (EP/DT)	EDMS:2102533	31/01/2019	141688	23/09/2019
Visit in East Area for LV cabling ENP	157	Marco P. (EN-EL)			141148	16/09/2019
Journalist visit at CLOUD	157/CLOUD	Hanna M. (EP/DT)			141765	24/09/2019
Remplacement du câble de levage et Maintenance du PR-67	157 PR-67	Filippo C. (EN-HE)			143037	11/10/2019
Error investigation of the Huber Unistat 950 cooling plant	157/CLOUD	ROBERT K. (EP/DT)	EDMS:2102533	31/01/2019	143242	16/10/2019
Démontage de la structure et des échelles à câbles mur 157-352	157/Zone primaire	VICTOR DE JESUS	5365	29/10/2019	143855	28/10/2019
Swisscom devices move in B. 157	157	Leszek (IT-CS)	5388	04/11/2019	143981	30/10/2019
New valves + expansion system tests + cablage DMFC	157/CLOUD	Louis-P. D.M. (EP/DT)	EDMS:2102533	31/01/2019	144505	07/11/2019
CHARM Visit for the RADSAGA project	157/CHARM/IRRAD	Ruben G. A. (EN-STI)			144522	07/11/2019

Questions?



EAST AREA RENOVATION

