

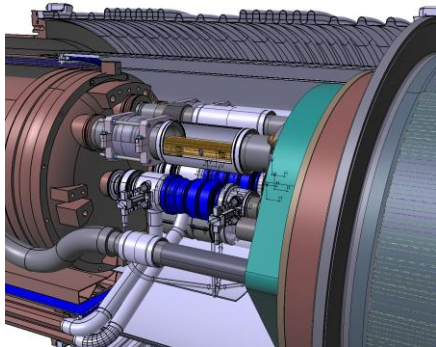
INTERCONNECTION CRYOSTAT DE CONNECTIONS ET 11T

2019-11-13

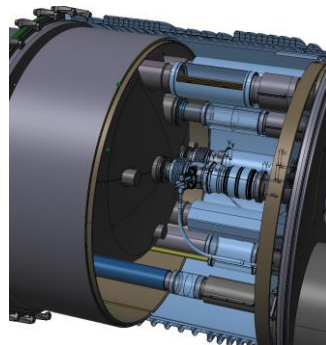
IR2

IR2 LEFT: (ST1060188_01)

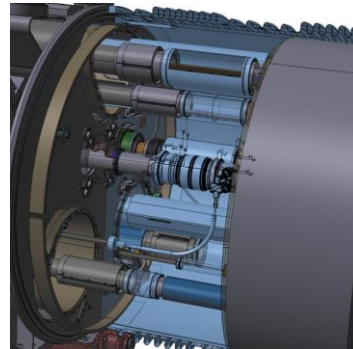
QQEI – SSS_LEPRB : (ST1086770_01)



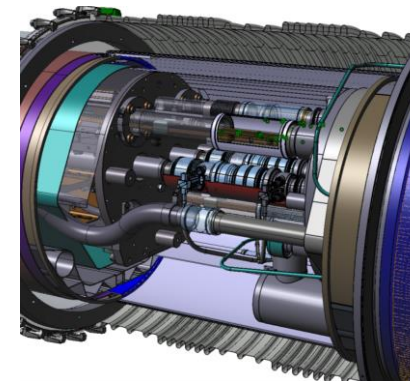
QQEI – LEPRB_LENRA: (ST1086773_01)



QQEI – LENRA_LEPRA: (ST1086775_01)

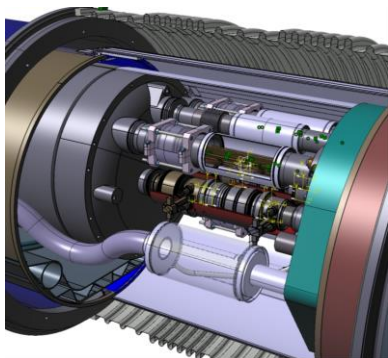


QEBI – LEPRA_MB : (ST1086776_01)

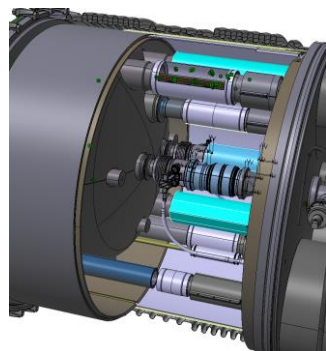


IR2 RIGHT: (ST1083236_01)

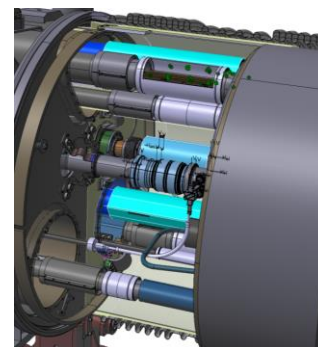
QBEB – MB_LEPLA : (ST1086723_01)



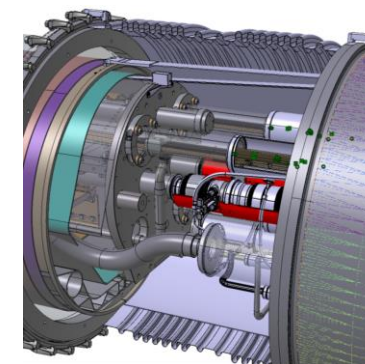
QQEI – LEPRB_LENRA: (ST1086773_01)



QQEI – LENLA_LEPLB: (ST1086746_01)

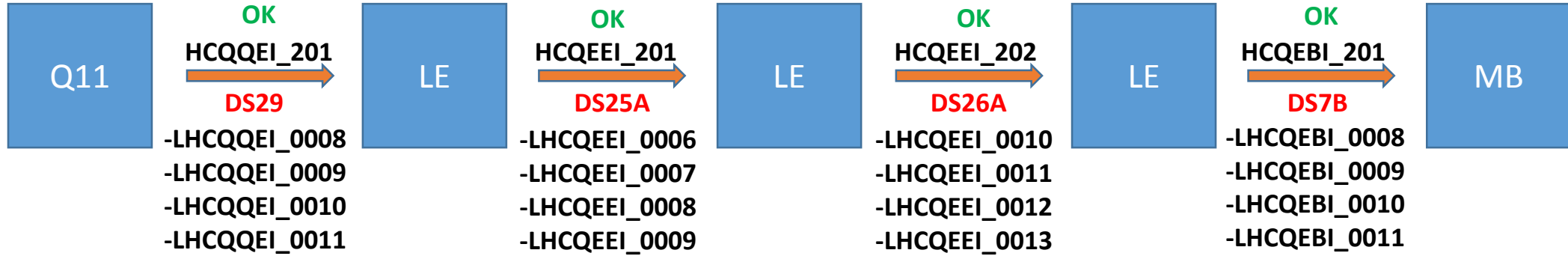


QQEI – LEPLB_SSS : (ST1086748_01)

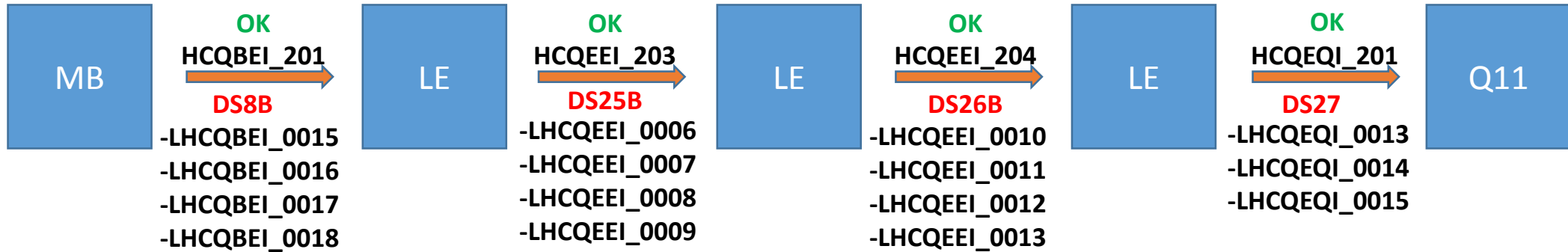


IR2:

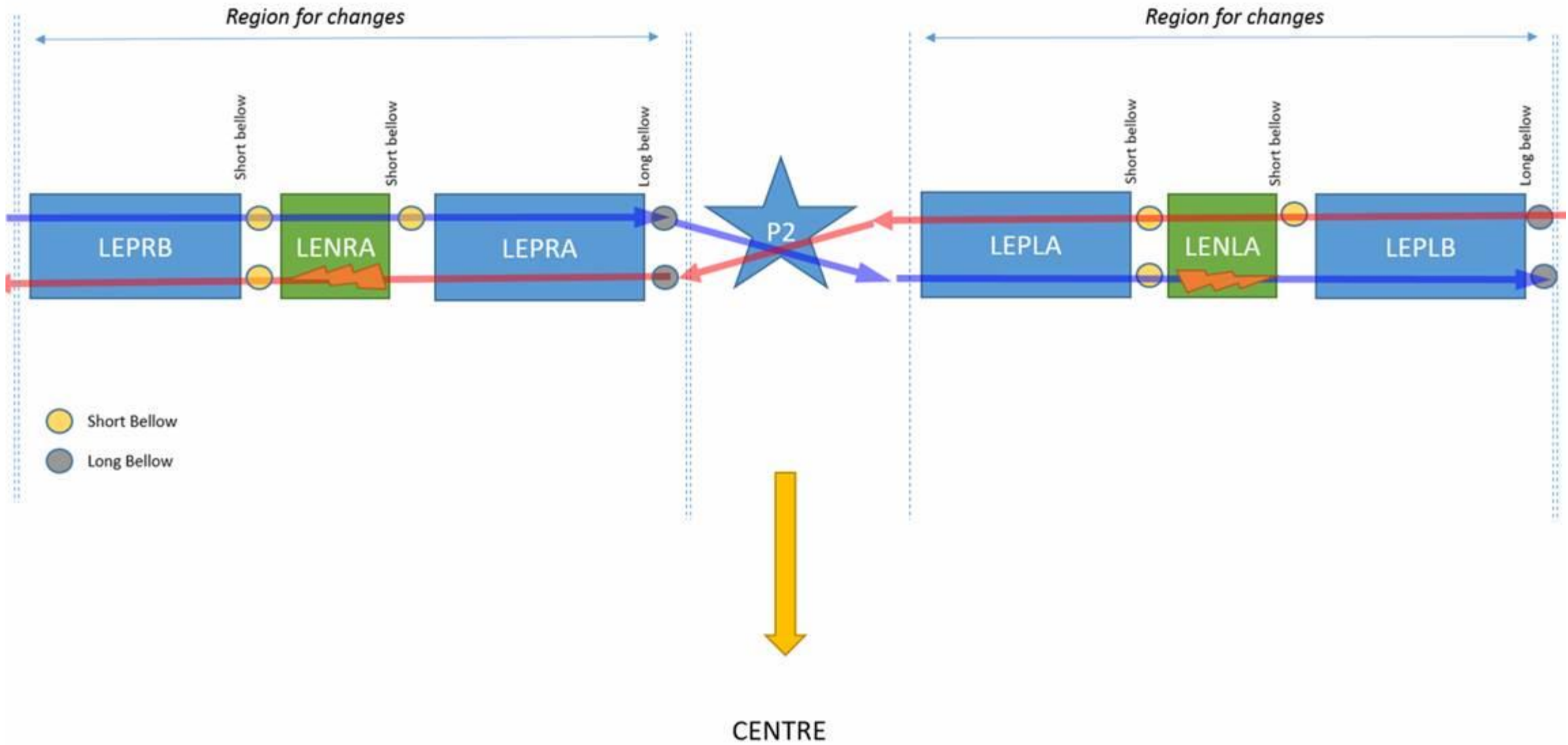
LEFT:



RIGHT:



IR2:



IR2: EDMS → 2265383

The screenshot shows the EDMS Navigator interface. At the top, there is a search bar and a 'Tags' section. Below that, it says 'No active tags.' The main content is a tree view for project '2265383 (v.1) IR2 INTERCONNECTION'. The tree is expanded to show several sub-projects:

- 2265386 (v.1) IR2 LEFT INTERCONNECTION
 - 2265391 (v.1) IR2-LEFT INTERCONNECT. QQEI:SSS_LEPRB (TYPE: DS29)
 - LHCQQEI_0008 (v.0) IR2-LEFT INTERCONNECT. QQEI:SSS_LEPRB (TYPE: DS29)
 - LHCQQEI_0009 (v.0) IR2-LEFT INTERCONNECT. QQEI:SSS_LEPRB (TYPE: DS29)
 - LHCQQEI_0010 (v.0) IR2-LEFT INTERCONNECT. QQEI:SSS_LEPRB (TYPE: DS29)
 - LHCQQEI_0011 (v.0) IR2-LEFT INTERCONNECT. QQEI:SSS_LEPRB (TYPE: DS29)
 - 2265394 (v.1) IR2-L/R INT. QEEI-LEPRB_LENRA (TYPE:DS25A)-LEPLA_LENLA(TYPE:DS25B)
 - LHCQEEI_0006 (v.0) IR2-L/R INT. QEEI-LEPRB_LENRA (TYPE:DS25A)-LEPLA_LENLA(TYPE:DS25B)
 - LHCQEEI_0007 (v.0) IR2-L/R INT. QEEI-LEPRB_LENRA (TYPE:DS25A)-LEPLA_LENLA(TYPE:DS25B)
 - LHCQEEI_0008 (v.0) IR2-L/R INT. QEEI-LEPRB_LENRA (TYPE:DS25A)-LEPLA_LENLA(TYPE:DS25B)
 - LHCQEEI_0009 (v.0) IR2-L/R INT. QEEI-LEPRB_LENRA (TYPE:DS25A)-LEPLA_LENLA(TYPE:DS25B)
 - 2265396 (v.1) IR2-L/R INT. QEEI-LENRA_LEPRA (TYPE:DS26A)-LENLA_LEPLB(TYPE:DS26B)
 - LHCQEEI_0010 (v.0) IR2-L/R INT. QEEI-LENRA_LEPRA (TYPE:DS26A)-LENLA_LEPLB(TYPE:DS26B)
 - LHCQEEI_0011 (v.0) IR2-L/R INT. QEEI-LENRA_LEPRA (TYPE:DS26A)-LENLA_LEPLB(TYPE:DS26B)
 - LHCQEEI_0012 (v.0) IR2-L/R INT. QEEI-LENRA_LEPRA (TYPE:DS26A)-LENLA_LEPLB(TYPE:DS26B)
 - LHCQEEI_0013 (v.0) IR2-L/R INT. QEEI-LENRA_LEPRA (TYPE:DS26A)-LENLA_LEPLB(TYPE:DS26B)
 - 2265399 (v.1) IR2-LEFT INTERCONNECTION QEBI-LEPRA_MB (TYPE: DS7B)
 - LHCQEBI_0008 (v.0) IR2-LEFT INTERCONNECTION QEBI-LEPRA_MB (TYPE: DS7B)
 - LHCQEBI_0009 (v.0) IR2-LEFT INTERCONNECTION QEBI-LEPRA_MB (TYPE: DS7B)
 - LHCQEBI_0010 (v.0) IR2-LEFT INTERCONNECTION QEBI-LEPRA_MB (TYPE: DS7B)
 - LHCQEBI_0011 (v.0) IR2-LEFT INTERCONNECTION QEBI-LEPRA_MB (TYPE: DS7B)
- 2265389 (v.1) IR2 RIGHT INTERCONNECTION
 - 2265402 (v.1) IR2-RIGHT INTERCONNECTION QBEI-MB_LEPLA (TYPE: DS8B)
 - LHCQBEI_0015 (v.0) IR2-RIGHT INTERCONNECTION QBEI-MB_LEPLA (TYPE: DS8B)
 - LHCQBEI_0016 (v.0) IR2-RIGHT INTERCONNECTION QBEI-MB_LEPLA (TYPE: DS8B)
 - LHCQBEI_0017 (v.0) IR2-RIGHT INTERCONNECTION QBEI-MB_LEPLA (TYPE: DS8B)
 - LHCQBEI_0018 (v.0) IR2-RIGHT INTERCONNECTION QBEI-MB_LEPLA (TYPE: DS8B)
 - 2265403 (v.1) IR2-RIGHT INTERCONNECTION QEIQ-LEPLB_SSS (TYPE: DS27)
 - LHCQEIQ_0013 (v.0) IR2-RIGHT INTERCONNECTION QEIQ-LEPLB_SSS (TYPE: DS27)
 - LHCQEIQ_0014 (v.0) IR2-RIGHT INTERCONNECTION QEIQ-LEPLB_SSS (TYPE: DS27)
 - LHCQEIQ_0015 (v.0) IR2-RIGHT INTERCONNECTION QEIQ-LEPLB_SSS (TYPE: DS27)

IR2: SMARTTEAM → ST1217356

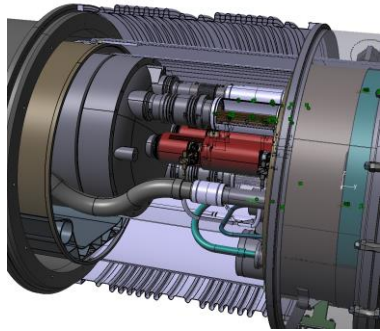
The screenshot shows the SMARTTEAM interface with a tree view for project 'ST1217356 IR2 CERN Design'. The tree is expanded to show various sub-projects and documents:

- MACHINES
 - AD Anti-proton decelerator
 - BDF (Beam Dump Facility)
 - CLIC Compact Linear Collider
 - CRN
 - CTF CLIC Test Facility
 - ELENA
 - FCC
 - ISL
 - LEIR Low Energy Ion Ring
 - LHC
 - BEAM CLEANING
 - BEAM INSTRUMENTATION
 - Connection Cryostat Assembly Pour FP420
 - CONNEXION CRYOSTAT
 - CRAB Cavities
 - EJECTION - DUMP
 - HANDLING MAINTENANCE
 - HL Cold Powering
 - LHC Hardware Baseline Systems
 - LHC INTERCONNECTIONS
 - ST1217356 IR2 CERN Design
 - ST1217359 IR2 LEFT CERN Design
 - ST1086770 IR2-LEFT INTERCONNECT. QQEI:SSS_LEPRB (TYPE: DS29) LHCQQEI_0008 CERN Design
 - ST1086773 IR2-L/R INT. QEEI-LEPRB_LENRA (TYPE:DS25A)-LEPLA_LENLA(TYPE:DS25B) LHCQEEI_0006 CERN Design
 - ST1086775 IR2-L/R INT. QEEI-LENRA_LEPRA (TYPE:DS26A)-LENLA_LEPLB(TYPE:DS26B) LHCQEEI_0010 CERN Design
 - ST1086776 IR2-LEFT INTERCONNECTION QEBI-LEPRA_MB (TYPE: DS7B) LHCQEBI_0008 CERN Design
 - ST1217359_01 a.00 EDMS Document: 2265386 In Work
 - ST1217361 IR2 RIGHT CERN Design
 - ST1086723 IR2-RIGHT INTERCONNECTION QBEI-MB_LEPLA (TYPE: DS8B) LHCQBEI_0015 CERN Design
 - ST1086748 IR2-RIGHT INTERCONNECTION QEIQ-LEPLB_SSS (TYPE: DS27) LHCQEIQ_0013 CERN Design
 - ST1217361_01 a.00 EDMS Document: 2265389 In Work
 - ST1217356_01 a.00 EDMS Document: 2265383 In Work
 - ST1217357 IR7 CERN Design
 - 11T INTERCONNECTION
 - MB-MB INTERCONNECTION (TYPE AR4)
 - MB-SSS INTERCONNECTION (TYPE AR0)
 - MB-SSS INTERCONNECTION (TYPE AR1)
 - MB-SSS INTERCONNECTION (TYPE AR5)
 - SSS-MB INTERCONNECTION (TYPE AR2)

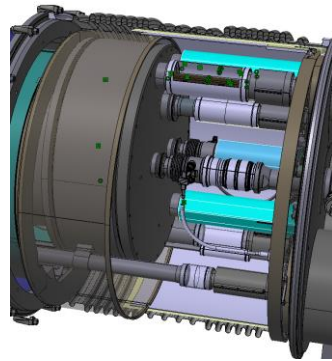
IR7

IR7 LEFT: (ST1087271_01)

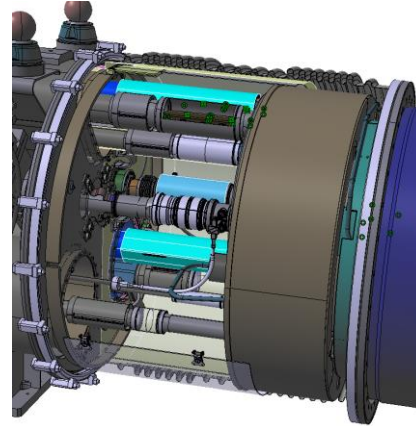
QBEI – MB_LBHRA : (ST1087273_01)



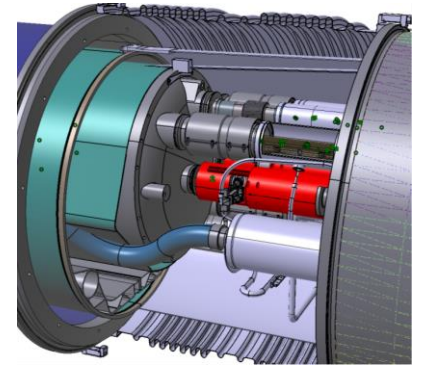
QEEI – LBHRA_LENRA: (ST1087274_01)



QEEI – LENRA_LBHRB: (ST1087275_01)

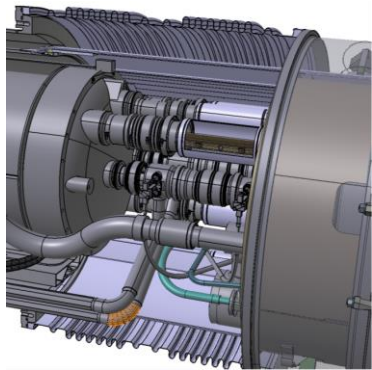


QEQI – LBHRB_SSS : (ST1087277_01)

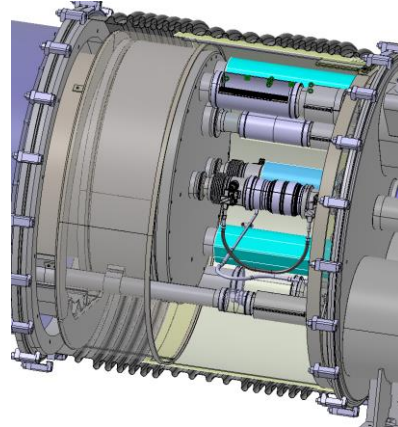


IR7 RIGHT: (ST1087426_01)

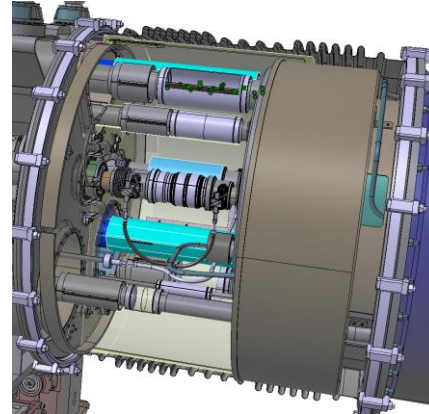
QBEI – MB_LEPLA : (ST1086723_01)



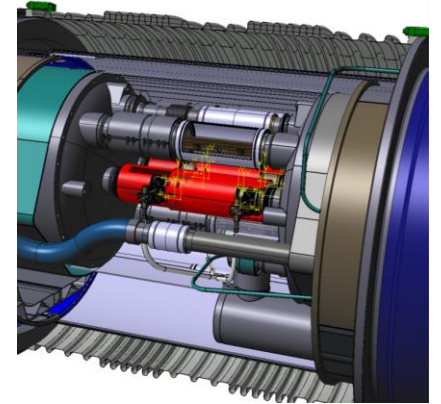
QEEI – LBHRC_LENRB: (ST1087432_01)



QEEI – LENRB_LBHRD: (ST1087434_01)

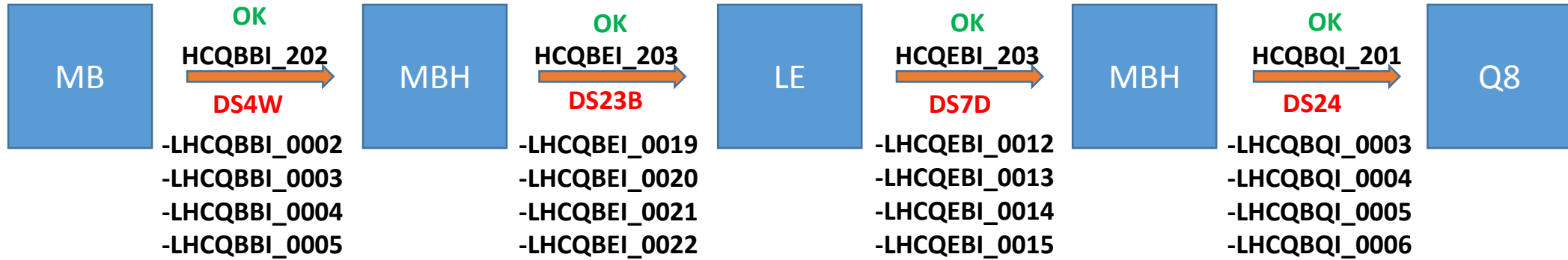


QEBI – LBHRD_MB : (ST1087435_01)

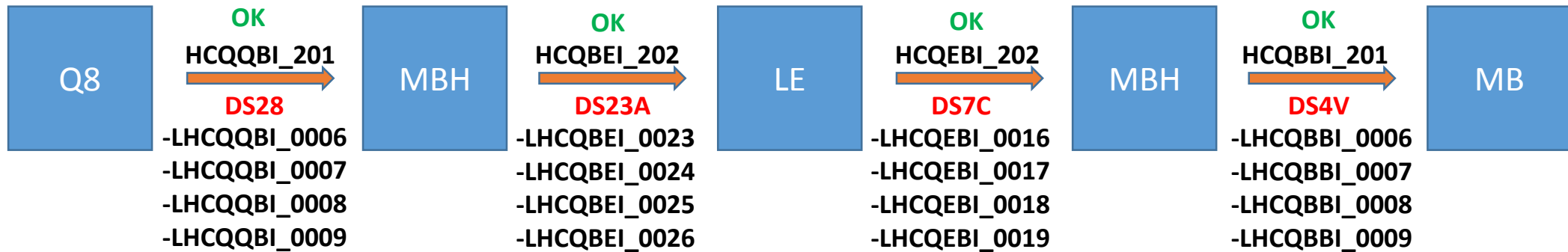


IR7:

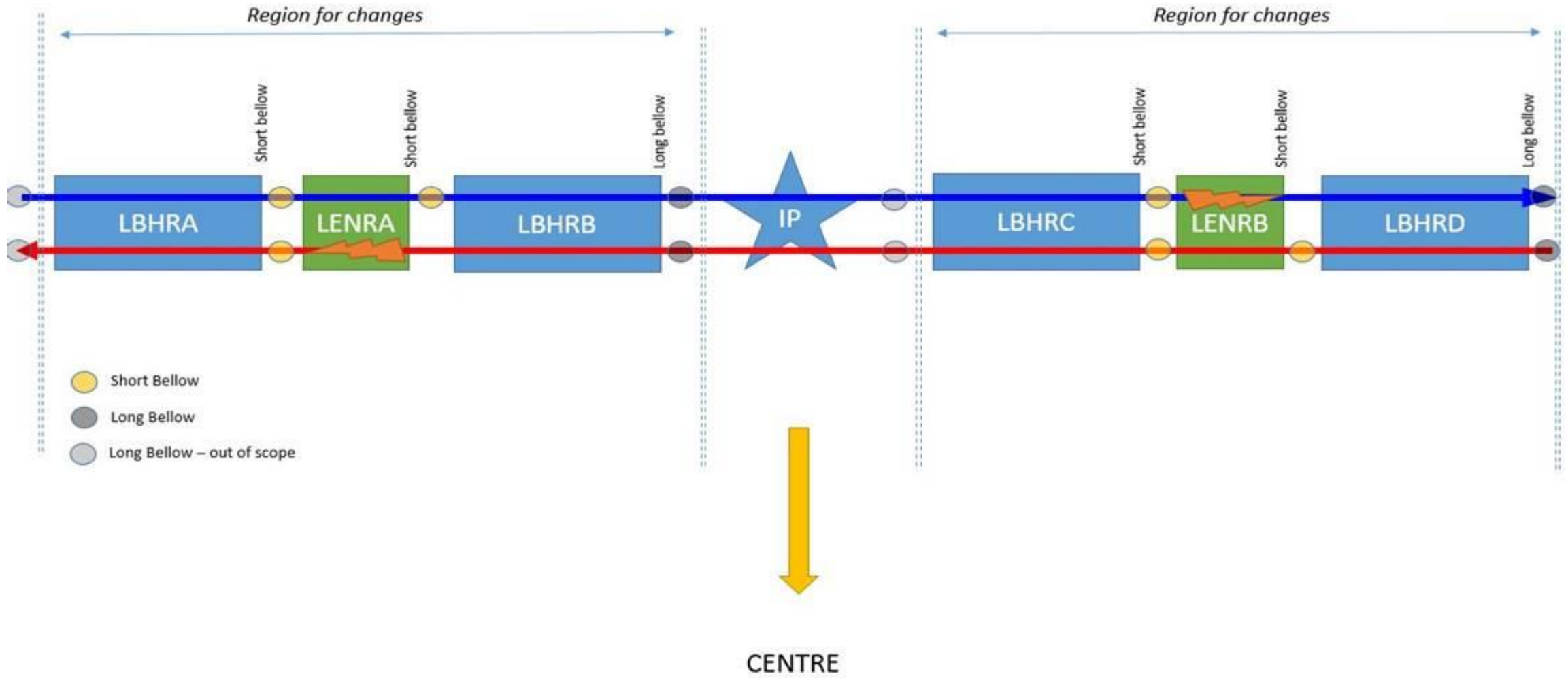
LEFT:



RIGHT:



IR7:



IR7: EDMS → 2269079

- 2269079 (v.1) IR7 INTERCONNECTION
 - 2269080 (v.1) IR7 LEFT INTERCONNECTION
 - 2269081 (v.1) IR7-LEFT INTERCONNECTION QBBI-MB_LBHRA (TYPE: DS4W)
 - LHCQBBI_0002 (v.0) IR7-LEFT INTERCONNECTION QBBI-MB_LBHRA (TYPE: DS4W)
 - LHCQBBI_0003 (v.0) IR7-LEFT INTERCONNECTION QBBI-MB_LBHRA (TYPE: DS4W)
 - LHCQBBI_0004 (v.0) IR7-LEFT INTERCONNECTION QBBI-MB_LBHRA (TYPE: DS4W)
 - LHCQBBI_0005 (v.0) IR7-LEFT INTERCONNECTION QBBI-MB_LBHRA (TYPE: DS4W)
 - 2269083 (v.1) IR7-LEFT INTERCONNECTION QBEI-LBHRA_LENRA (TYPE: DS23B)
 - LHCQBEI_0019 (v.0) IR7-LEFT INTERCONNECTION QBEI-LBHRA_LENRA (TYPE: DS23B)
 - LHCQBEI_0020 (v.0) IR7-LEFT INTERCONNECTION QBEI-LBHRA_LENRA (TYPE: DS23B)
 - LHCQBEI_0021 (v.0) IR7-LEFT INTERCONNECTION QBEI-LBHRA_LENRA (TYPE: DS23B)
 - LHCQBEI_0022 (v.0) IR7-LEFT INTERCONNECTION QBEI-LBHRA_LENRA (TYPE: DS23B)
 - 2269084 (v.1) IR7-LEFT INTERCONNECTION QBEI-LENRA_LBHRB (TYPE: DS7D)
 - LHCQEBI_0012 (v.0) IR7-LEFT INTERCONNECTION QBEI-LENRA_LBHRB (TYPE: DS7D)
 - LHCQEBI_0013 (v.0) IR7-LEFT INTERCONNECTION QBEI-LENRA_LBHRB (TYPE: DS7D)
 - LHCQEBI_0014 (v.0) IR7-LEFT INTERCONNECTION QBEI-LENRA_LBHRB (TYPE: DS7D)
 - LHCQEBI_0015 (v.0) IR7-LEFT INTERCONNECTION QBEI-LENRA_LBHRB (TYPE: DS7D)
 - 2269088 (v.1) IR7-LEFT INTERCONNECTION QBQI-LBHRA_SSS (TYPE: DS24)
 - LHCQBQI_0003 (v.0) IR7-LEFT INTERCONNECTION QBQI-LBHRA_SSS (TYPE: DS24)
 - LHCQBQI_0004 (v.0) IR7-LEFT INTERCONNECTION QBQI-LBHRA_SSS (TYPE: DS24)
 - LHCQBQI_0005 (v.0) IR7-LEFT INTERCONNECTION QBQI-LBHRA_SSS (TYPE: DS24)
 - LHCQBQI_0006 (v.0) IR7-LEFT INTERCONNECTION QBQI-LBHRA_SSS (TYPE: DS24)
 - 2269088 (v.1) IR7 RIGHT INTERCONNECTION
 - 2269089 (v.1) IR7-RIGHT INTERCONNECTION QQBI-SSS_LBHRC (TYPE: DS28)
 - LHCQQBI_0006 (v.0) IR7-RIGHT INTERCONNECTION QQBI-SSS_LBHRC (TYPE: DS28)
 - LHCQQBI_0007 (v.0) IR7-RIGHT INTERCONNECTION QQBI-SSS_LBHRC (TYPE: DS28)
 - LHCQQBI_0008 (v.0) IR7-RIGHT INTERCONNECTION QQBI-SSS_LBHRC (TYPE: DS28)
 - LHCQQBI_0009 (v.0) IR7-RIGHT INTERCONNECTION QQBI-SSS_LBHRC (TYPE: DS28)
 - 2269090 (v.1) IR7-RIGHT INTERCONNECTION QBEI-LBHRC_LENRB (TYPE: DS23A)
 - LHCQBEI_0023 (v.0) IR7-RIGHT INTERCONNECTION QBEI-LBHRC_LENRB (TYPE: DS23A)
 - LHCQBEI_0024 (v.0) IR7-RIGHT INTERCONNECTION QBEI-LBHRC_LENRB (TYPE: DS23A)
 - LHCQBEI_0025 (v.0) IR7-RIGHT INTERCONNECTION QBEI-LBHRC_LENRB (TYPE: DS23A)
 - LHCQBEI_0026 (v.0) IR7-RIGHT INTERCONNECTION QBEI-LBHRC_LENRB (TYPE: DS23A)
 - 2269092 (v.1) IR7-RIGHT INTERCONNECTION QBEI-LENRB_LBHRD (TYPE: DS7C)
 - LHCQEBI_0016 (v.0) IR7-RIGHT INTERCONNECTION QBEI-LENRB_LBHRD (TYPE: DS7C)
 - LHCQEBI_0017 (v.0) IR7-RIGHT INTERCONNECTION QBEI-LENRB_LBHRD (TYPE: DS7C)
 - LHCQEBI_0018 (v.0) IR7-RIGHT INTERCONNECTION QBEI-LENRB_LBHRD (TYPE: DS7C)
 - LHCQEBI_0019 (v.0) IR7-RIGHT INTERCONNECTION QBEI-LENRB_LBHRD (TYPE: DS7C)
 - 2269094 (v.1) IR7-RIGHT INTERCONNECTION QBBI-LBHRD_MB (TYPE: DS4V)
 - LHCQBBI_0006 (v.0) IR7-RIGHT INTERCONNECTION QBBI-LBHRD_MB (TYPE: DS4V)
 - LHCQBBI_0007 (v.0) IR7-RIGHT INTERCONNECTION QBBI-LBHRD_MB (TYPE: DS4V)
 - LHCQBBI_0008 (v.0) IR7-RIGHT INTERCONNECTION QBBI-LBHRD_MB (TYPE: DS4V)
 - LHCQBBI_0009 (v.0) IR7-RIGHT INTERCONNECTION QBBI-LBHRD_MB (TYPE: DS4V)

IR2: SMARTEAM → ST1217357

- MACHINES
 - AD Anti-proton decelerator
 - BDF (Beam Dump Facility)
 - CLIC Compact Linear Collider
 - CRN
 - CTF CLIC Test Facility
 - ELENA
 - FCC
 - ISL
 - LEIR Low Energy Ion Ring
 - LHC
 - BEAM CLEANING
 - BEAM INSTRUMENTATION
 - Connection Cryostat Assembly Pour FP420
 - CONNEXION CRYOSTAT
 - CRAB Cavities
 - EJECTION - DUMP
 - HANDLING MANUTENTION
 - HL Cold Powering
 - LHC Hardware Baseline Systems
 - LHC INTERCONNECTIONS
 - ST1217356 IR2 CERN Design
 - ST1217357 IR7 CERN Design
 - ST1217392 IR7 LEFT CERN Design
 - ST1087273 IR7-LEFT INTERCONNECTION QBBI-MB_LBHRA (TYPE: DS4w) LHCQBBI_0002 CERN Design
 - ST1087274 IR7-LEFT INTERCONNECTION QBEI-LBHRA_LENRA (TYPE: DS23B) LHCQBEI_0019 CERN Design
 - ST1087275 IR7-LEFT INTERCONNECTION QBEI-LENRA_LBHRB (TYPE: DS7D) LHCQEBI_0012 CERN Design
 - ST1087277 IR7-LEFT INTERCONNECTION QBQI-LBHRA_SSS (TYPE: DS24) LHCQBQI_0003 CERN Design
 - ST1217392_01 a.00 EDMS Document: 2269080 In Work
 - ST1217393 IR7 RIGHT CERN Design
 - ST1087430 IR7-RIGHT INTERCONNECTION QQBI-SSS_LBHRC (TYPE: DS28) LHCQQBI_0006 CERN Design
 - ST1087432 IR7-RIGHT INTERCONNECTION QBEI-LBHRC_LENRB (TYPE: DS23A) LHCQBEI_0023 CERN Design
 - ST1087434 IR7-RIGHT INTERCONNECTION QBEI-LENRB_LBHRD (TYPE: DS7C) LHCQEBI_0016 CERN Design
 - ST1087435 IR7-RIGHT INTERCONNECTION QBBI-LBHRD_MB (TYPE: DS4V) LHCQBBI_0006 CERN Design
 - ST1217393_01 a.00 EDMS Document: 2269088 In Work
 - ST1217357_01 a.00 EDMS Document: 2269079 In Work