



Ishkhan Gorgisyan

Fellow

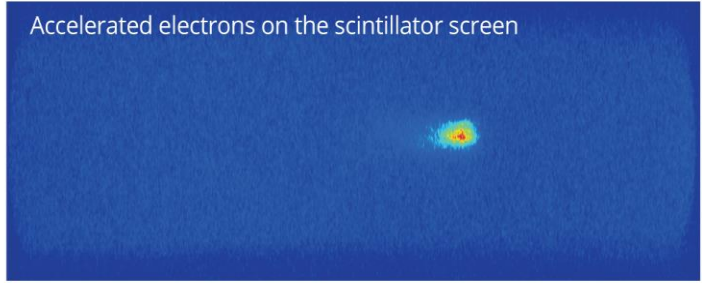
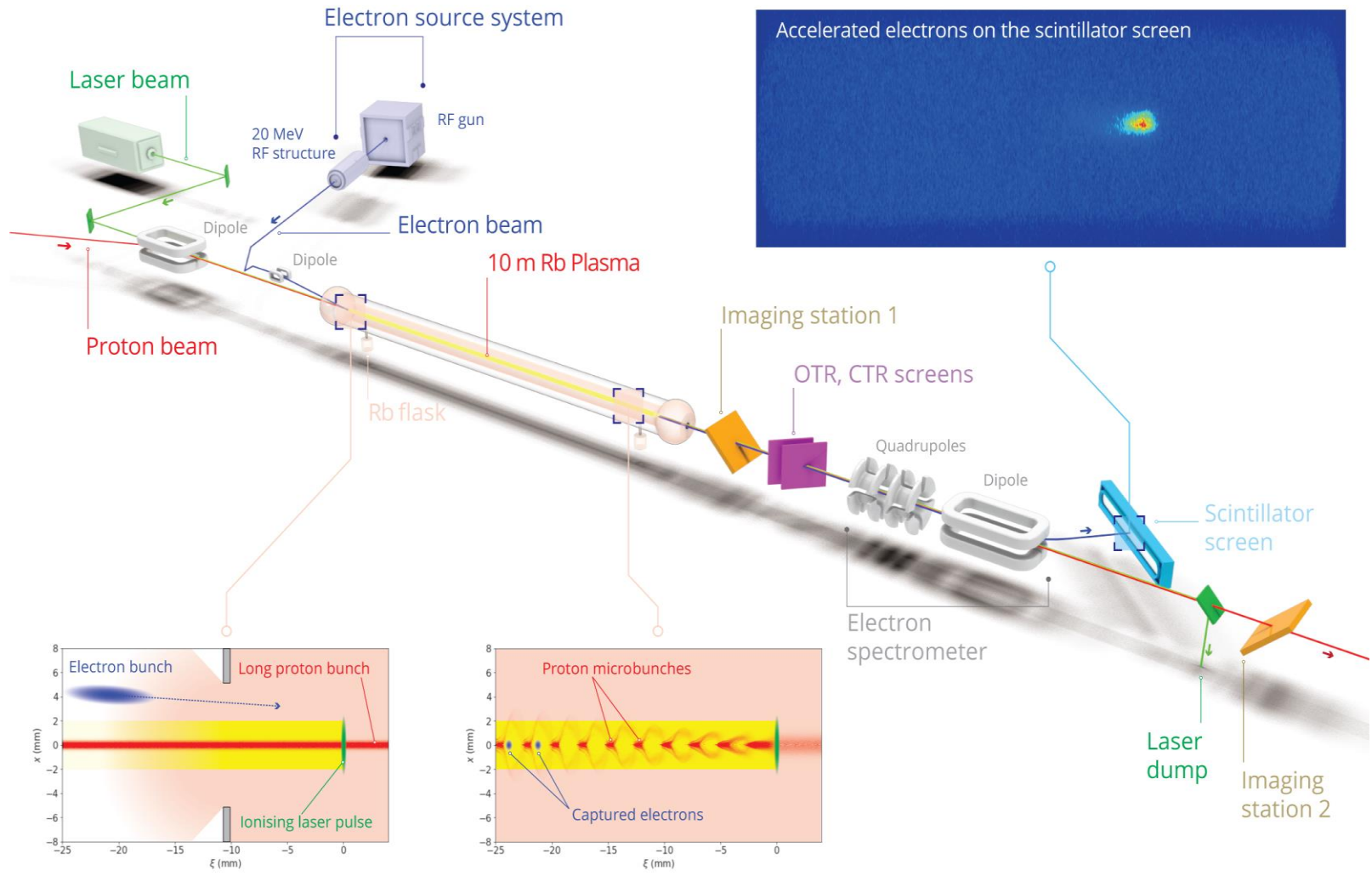
AWAKE experiment

PhD from EPFL at Paul Scherrer Institute

Master from EPFL



11/12/2019

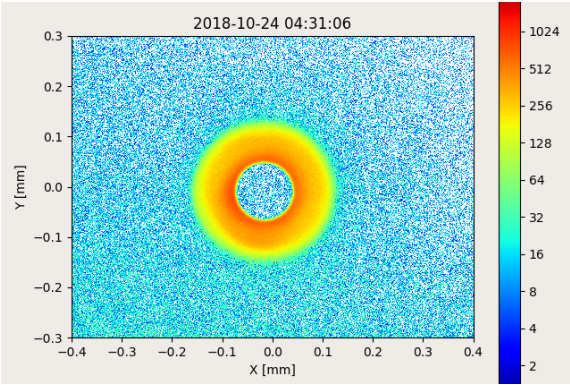
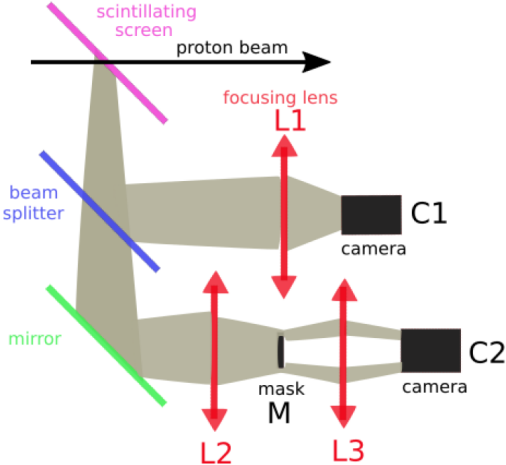


Transverse and longitudinal profile measurements of e⁻ beam, p⁺ beam and laser



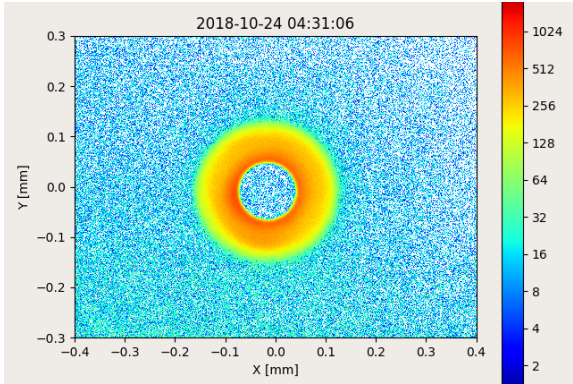
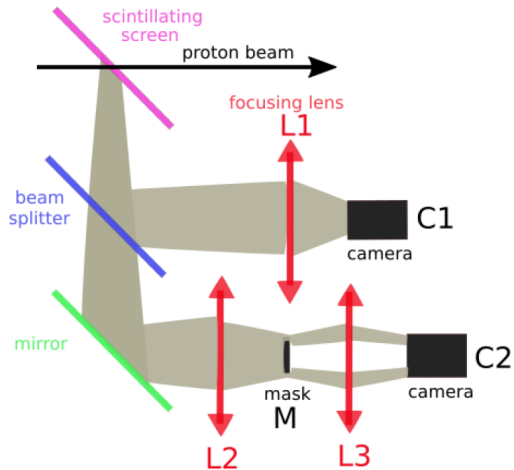
Transverse and longitudinal profile measurements of e⁻ beam, p⁺ beam and laser

Proton halo system

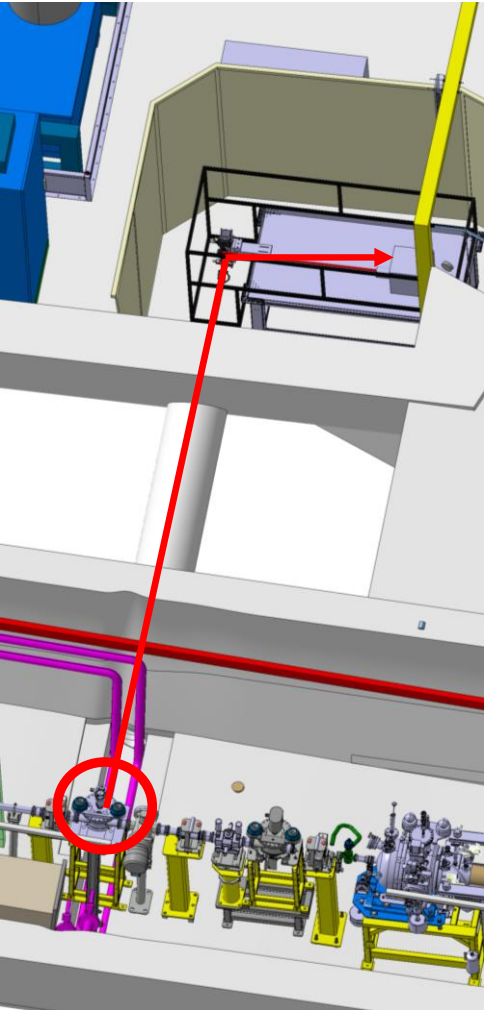


Transverse and longitudinal profile measurements of e⁻ beam, p⁺ beam and laser

Proton halo system



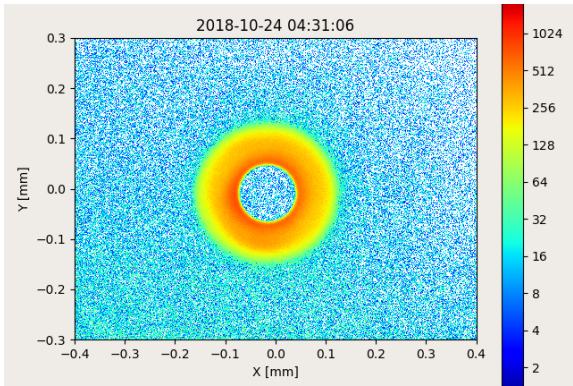
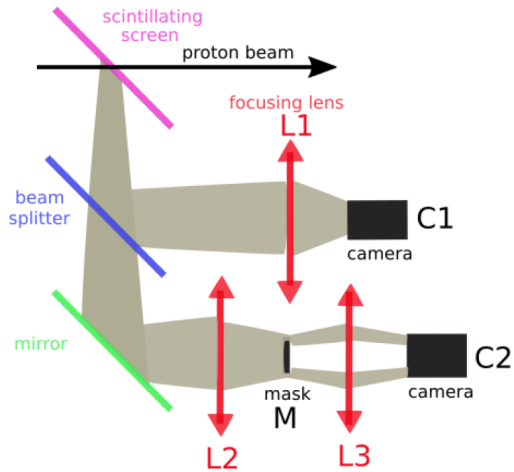
Streak camera system



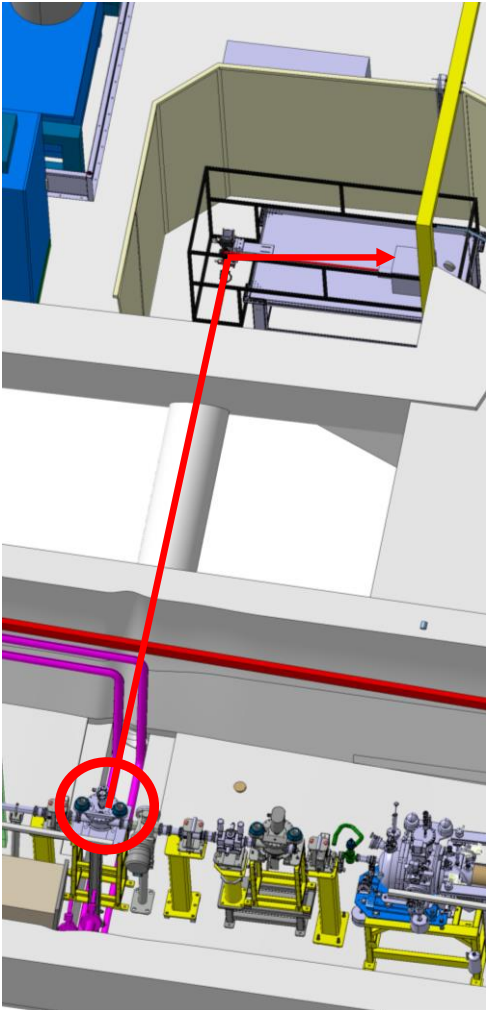
11/12/2019

Transverse and longitudinal profile measurements of e⁻ beam, p⁺ beam and laser

Proton halo system

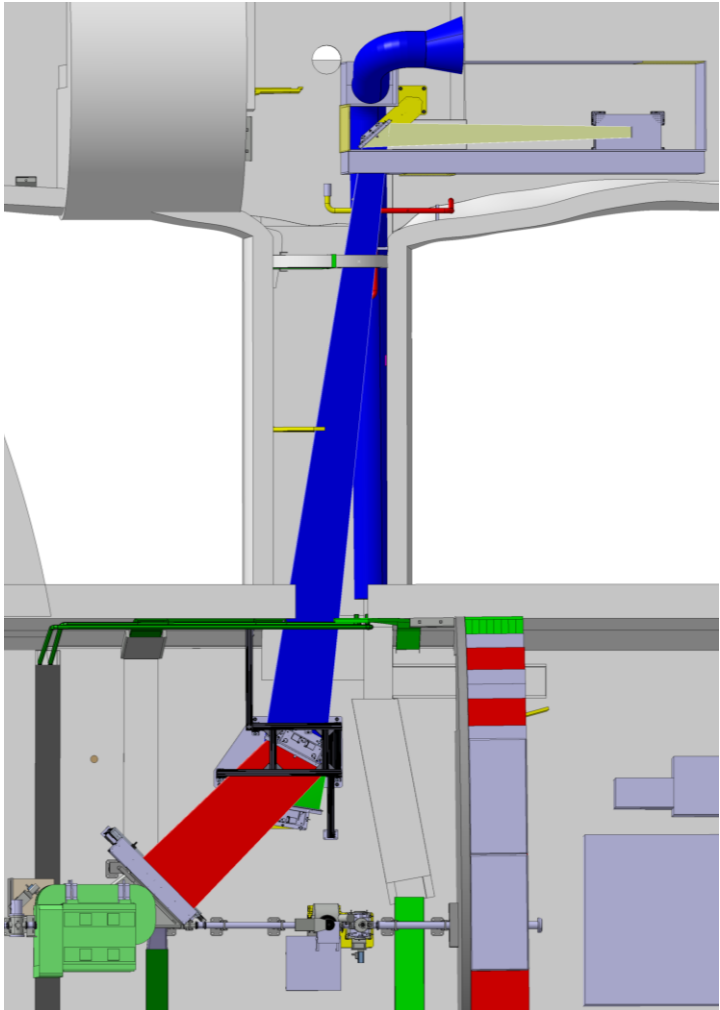


Streak camera system



11/12/2019

Electron spectrometer optics



6

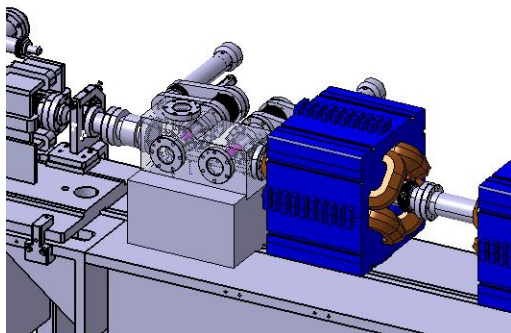
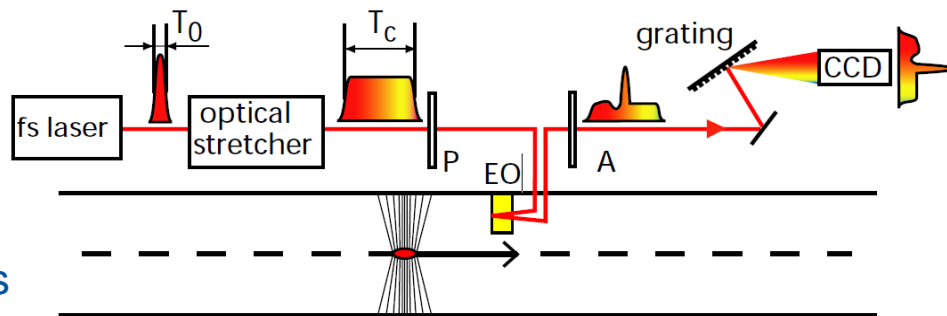
EO system for sub-ps bunch length measurement

Developed at CLEAR for AWAKE Run 2

Linearly chirped laser pulse

e^- profile encoded in laser pulse spectrum

Single-shot and non-invasive measurements



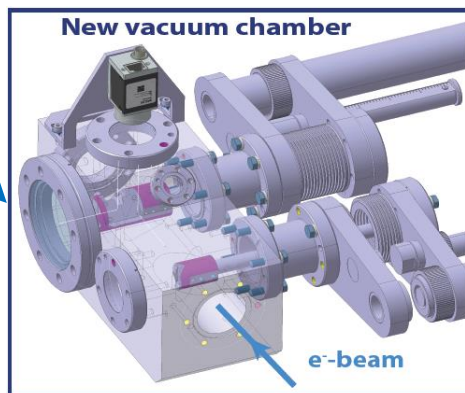
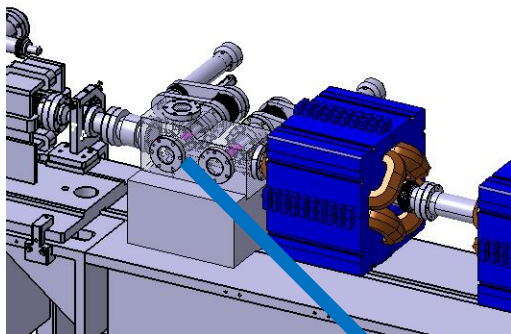
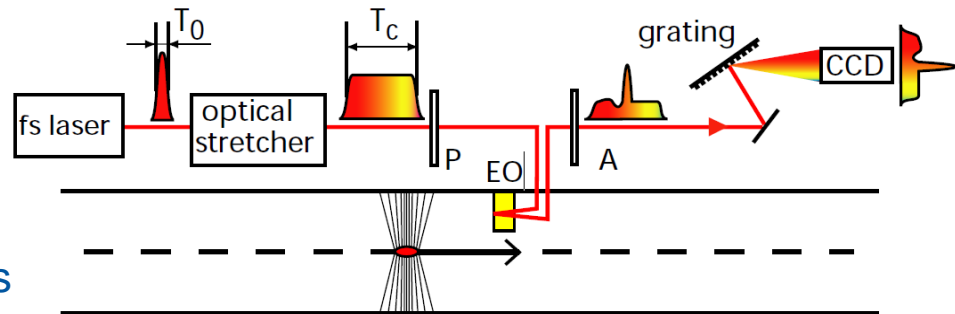
EO system for sub-ps bunch length measurement

Developed at CLEAR for AWAKE Run 2

Linearly chirped laser pulse

e^- profile encoded in laser pulse spectrum

Single-shot and non-invasive measurements



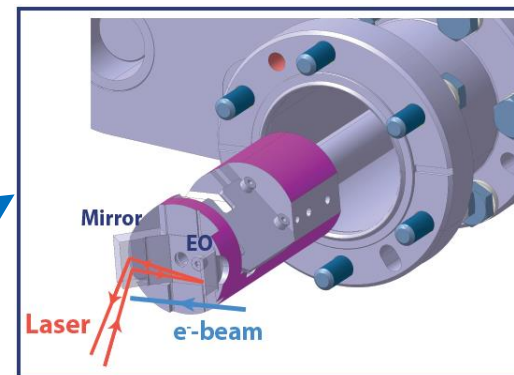
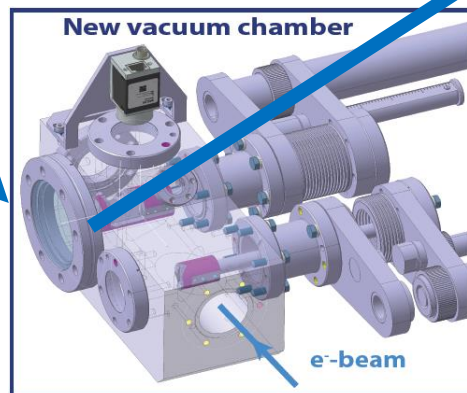
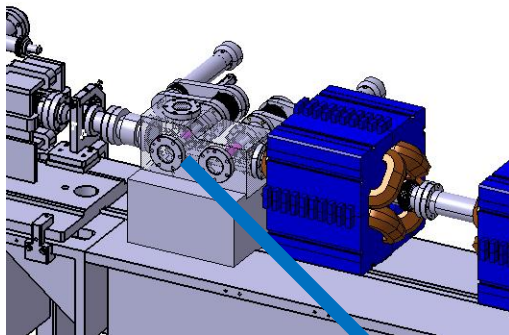
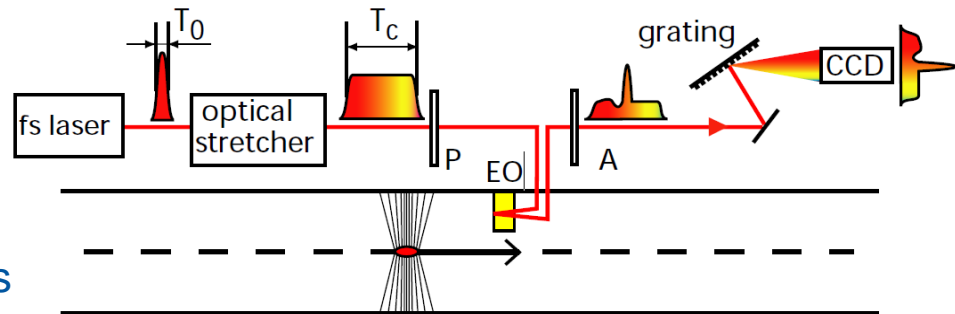
EO system for sub-ps bunch length measurement

Developed at CLEAR for AWAKE Run 2

Linearly chirped laser pulse

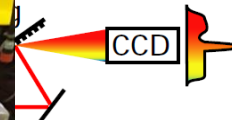
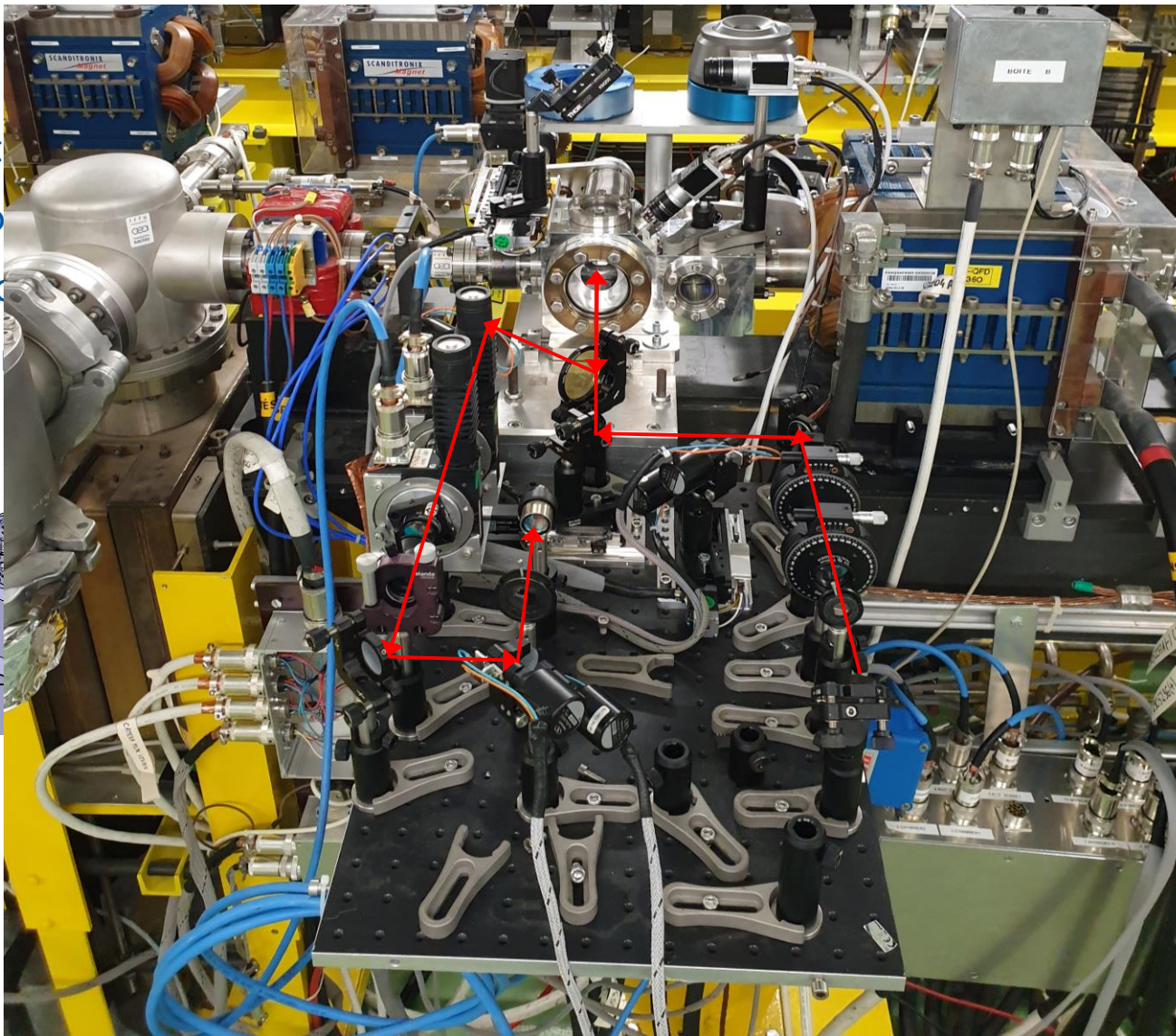
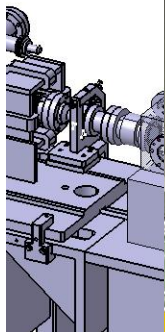
e^- profile encoded in laser pulse spectrum

Single-shot and non-invasive measurements



EO system for sub-ps bunch length measurement

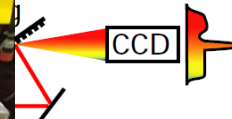
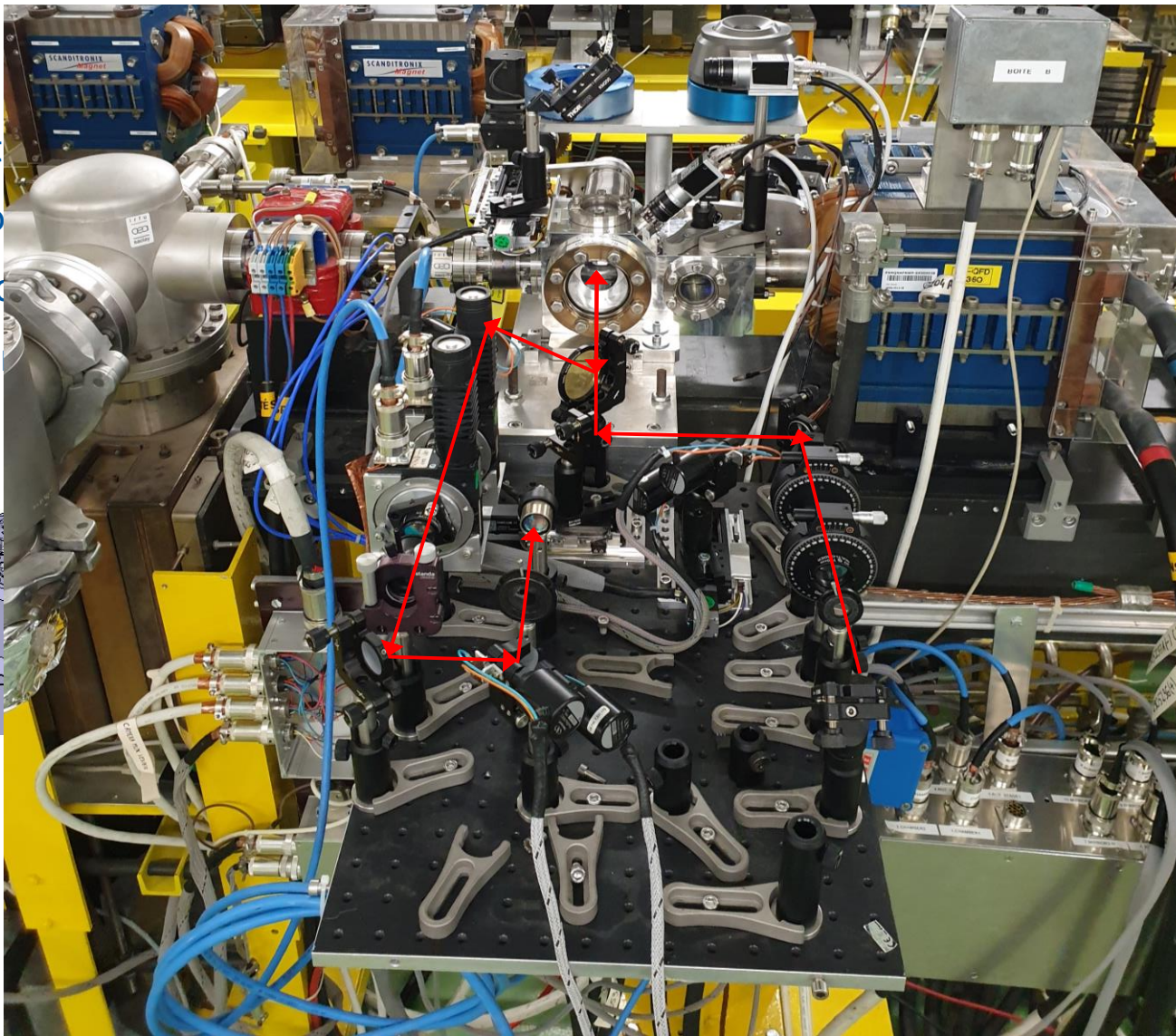
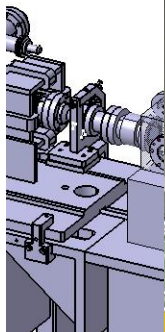
Developed at
Linearly chirped
e⁻ profile encoder
Single-shot a



e-beam

EO system for sub-ps bunch length measurement

Developed at
Linearly chirped
e⁻ profile encoder
Single-shot a



Currently being tested at CLEAR



Thank you for attention