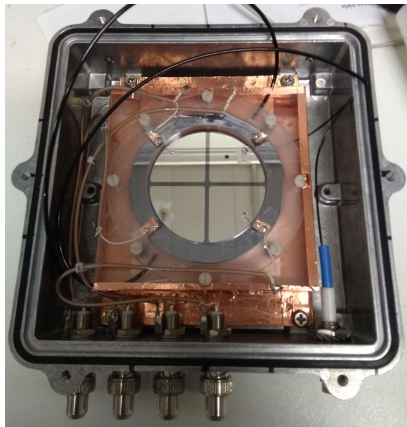


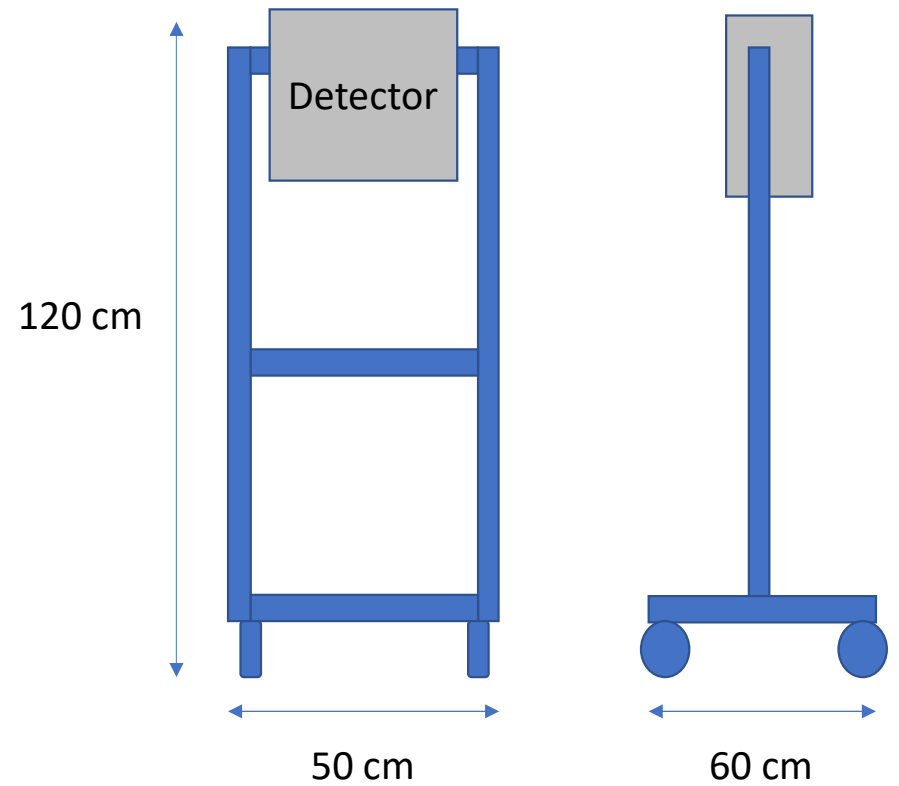
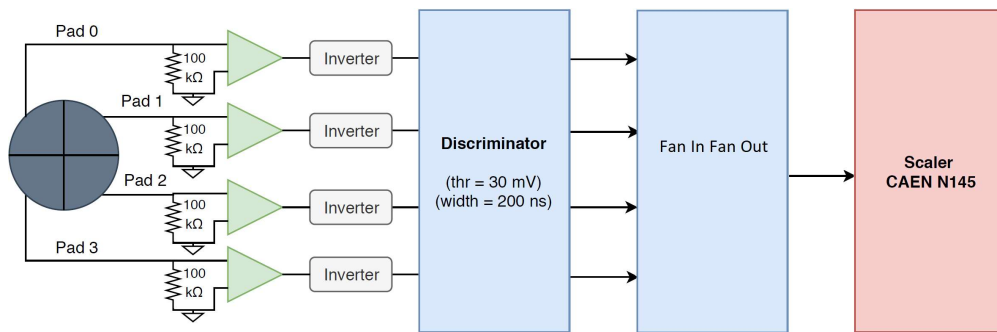
# RPCs FOR HIGH RATE

Alessandro Rocchi  
(ATLAS RPC)

# High rate RPC



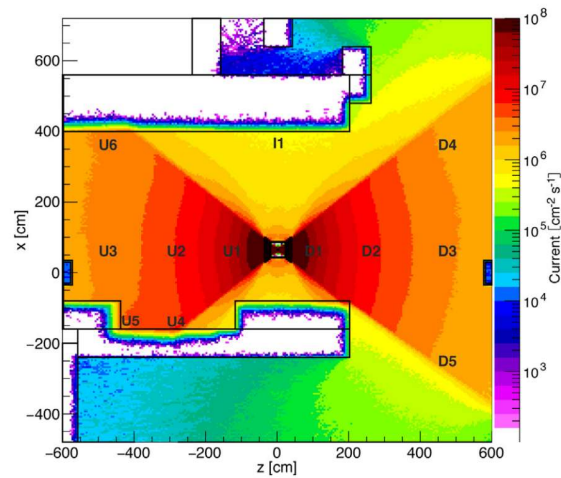
- 1 mm gas gap
- 0.6 mm Gallium Arsenide electrodes
- Gas Mixture: 95%TFE, 4.7%  $iC_4H_{10}$ , 0.3%SF6



# Trolley Position

Photon conversion efficiency  $\sim 5 \times 10^{-3}$

Effective current range  $(10^4 \div 10^5) \text{ cm}^{-2} \text{ s}^{-1}$



# Rate Capability

