



# TCLMs Masks

E. Berthomé, L. Gentini



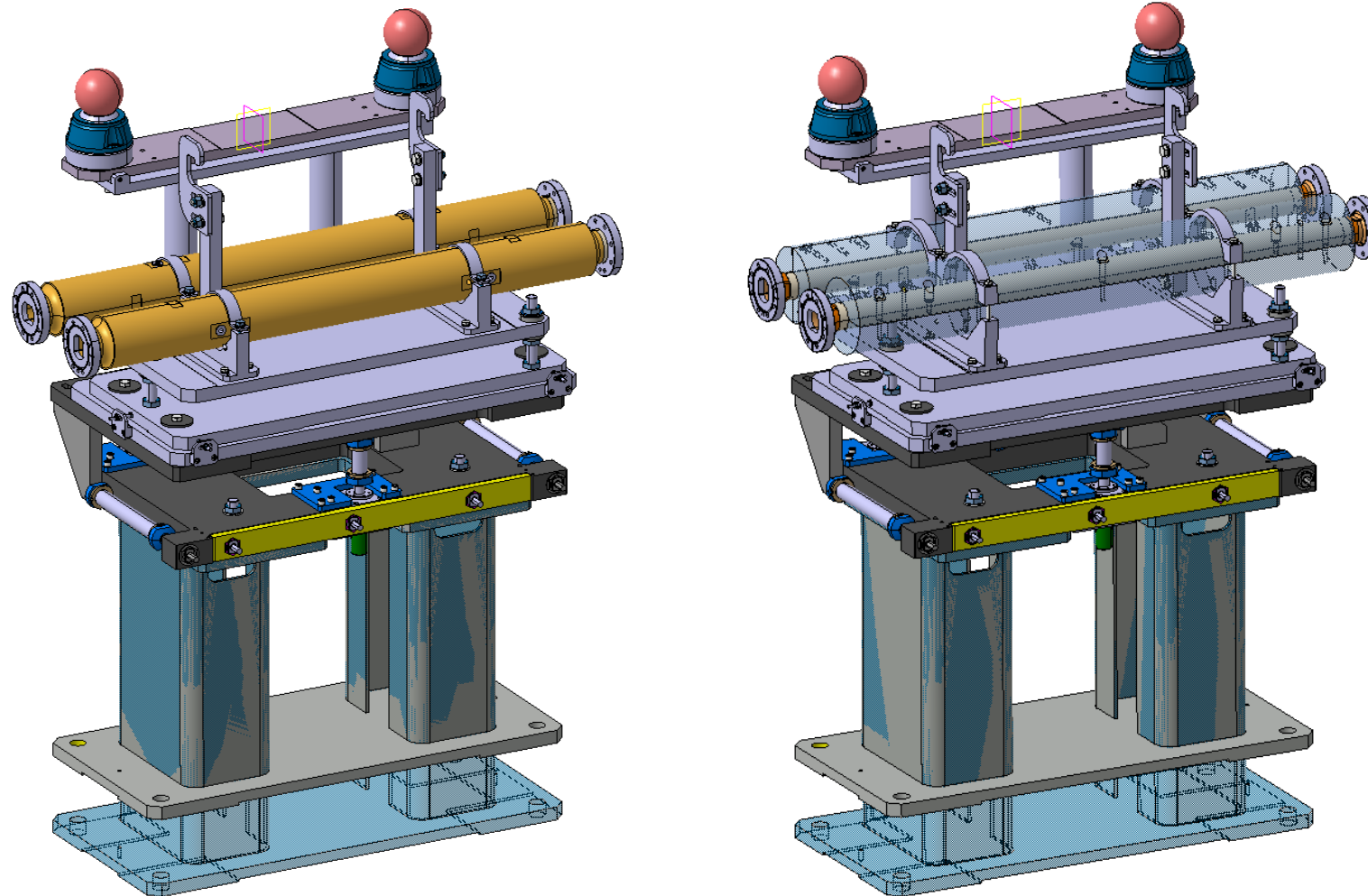
 EN Engineering Department

The logo for the EN Engineering Department, featuring a dark blue circle with the letters "EN" in white, followed by the text "Engineering Department" in a blue, sans-serif font.

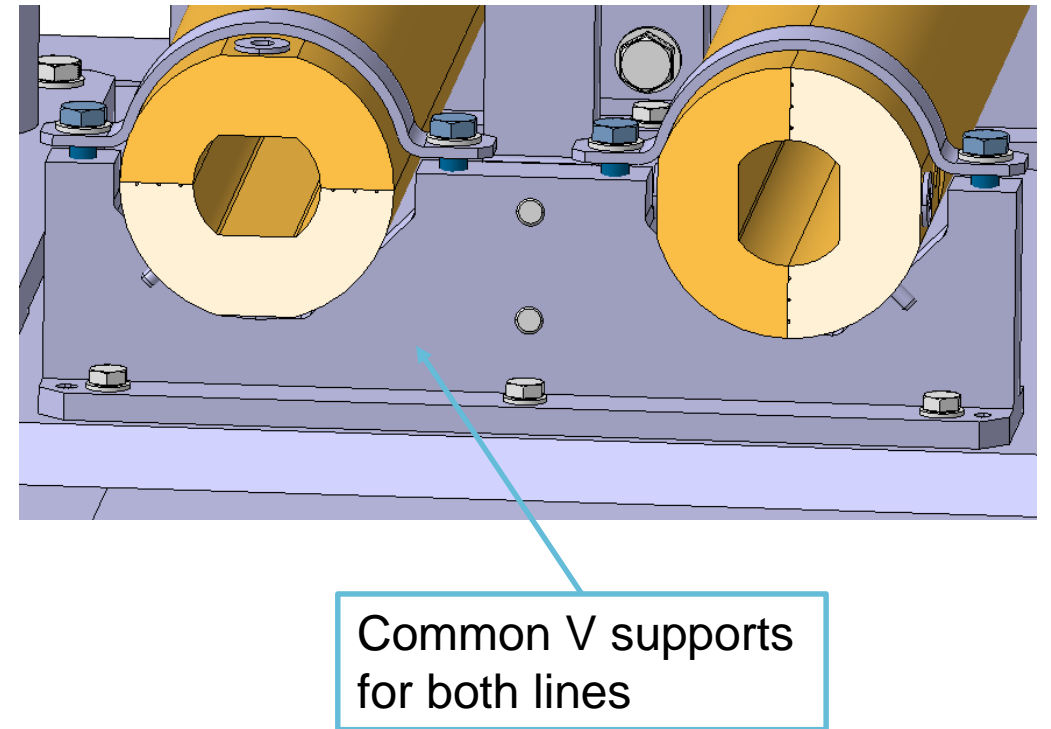
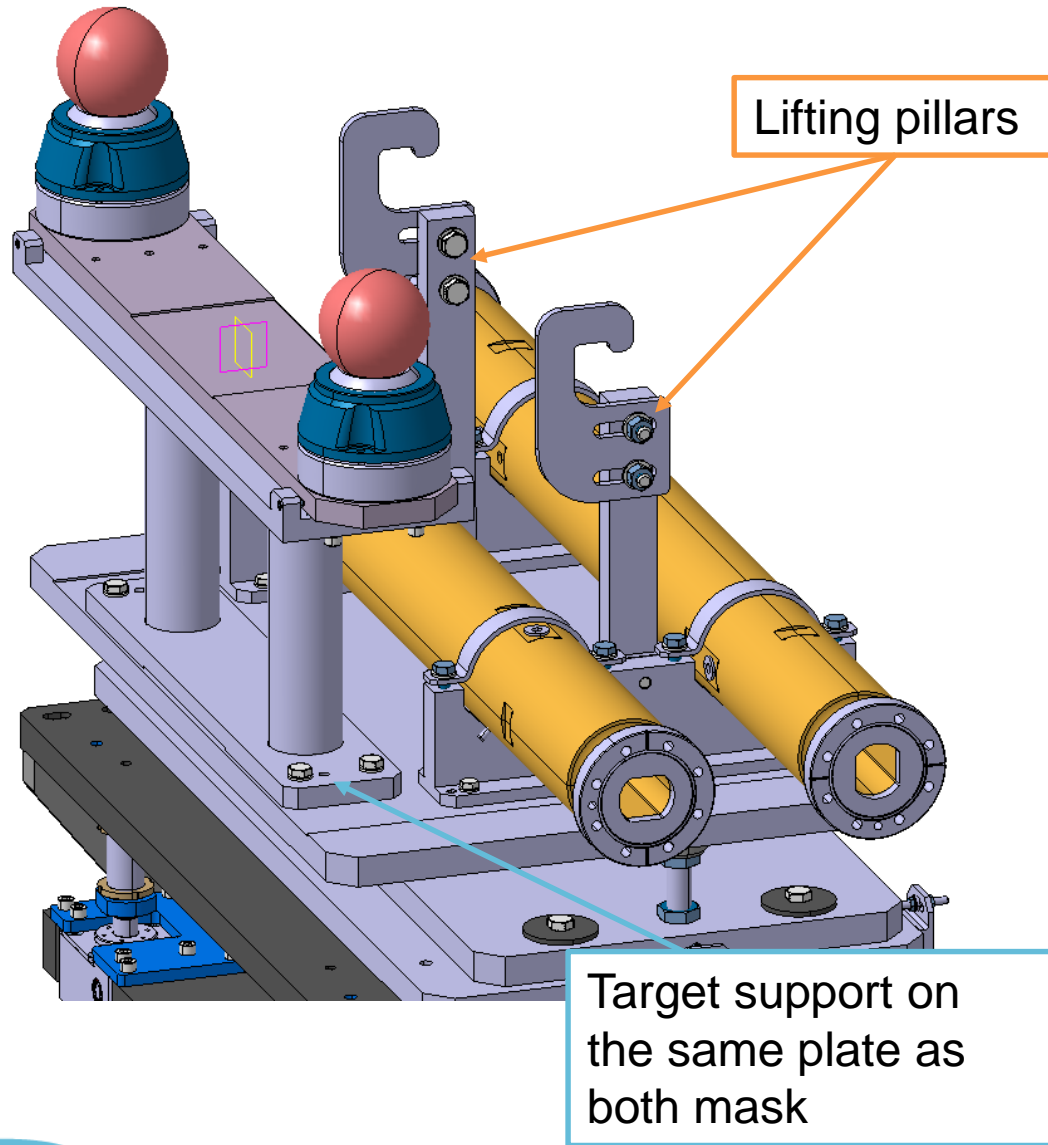
October 31<sup>st</sup>, 2019

# TCLMs Masks design

2 designs : Ø100 copper mask and Ø140 Inermet (W) mask



# Ø100 Copper Mask design



2 designs solutions are in quotation: Inermet (W) block in 1m long or 333.5mm long

