



BGC Planning in 2020

G. Schneider for the BGC team

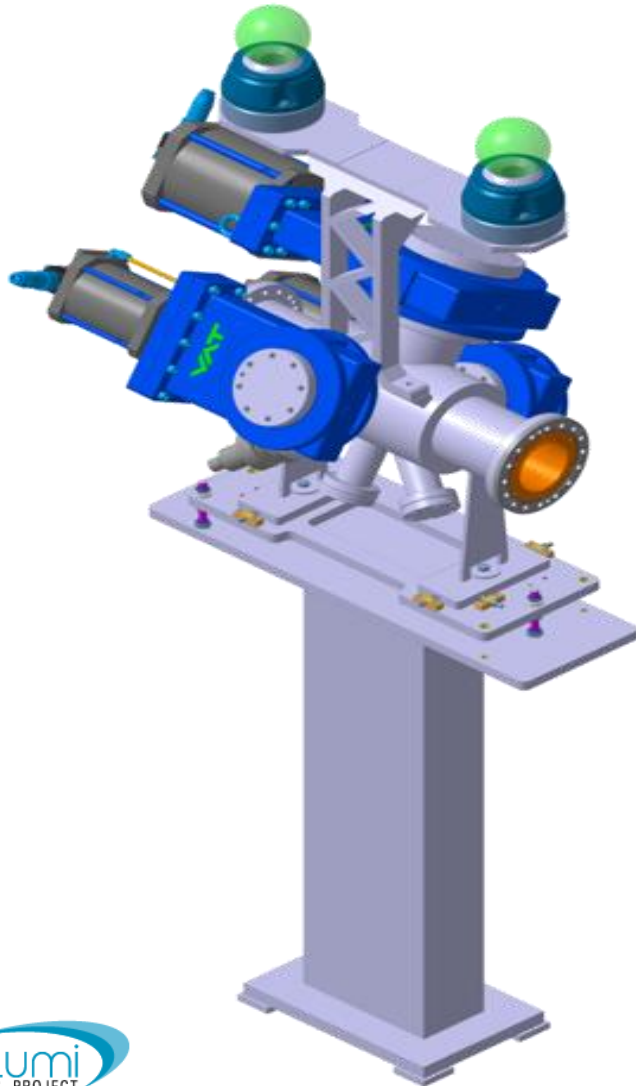
BGC Collaboration Meeting 31.03.2020

Content

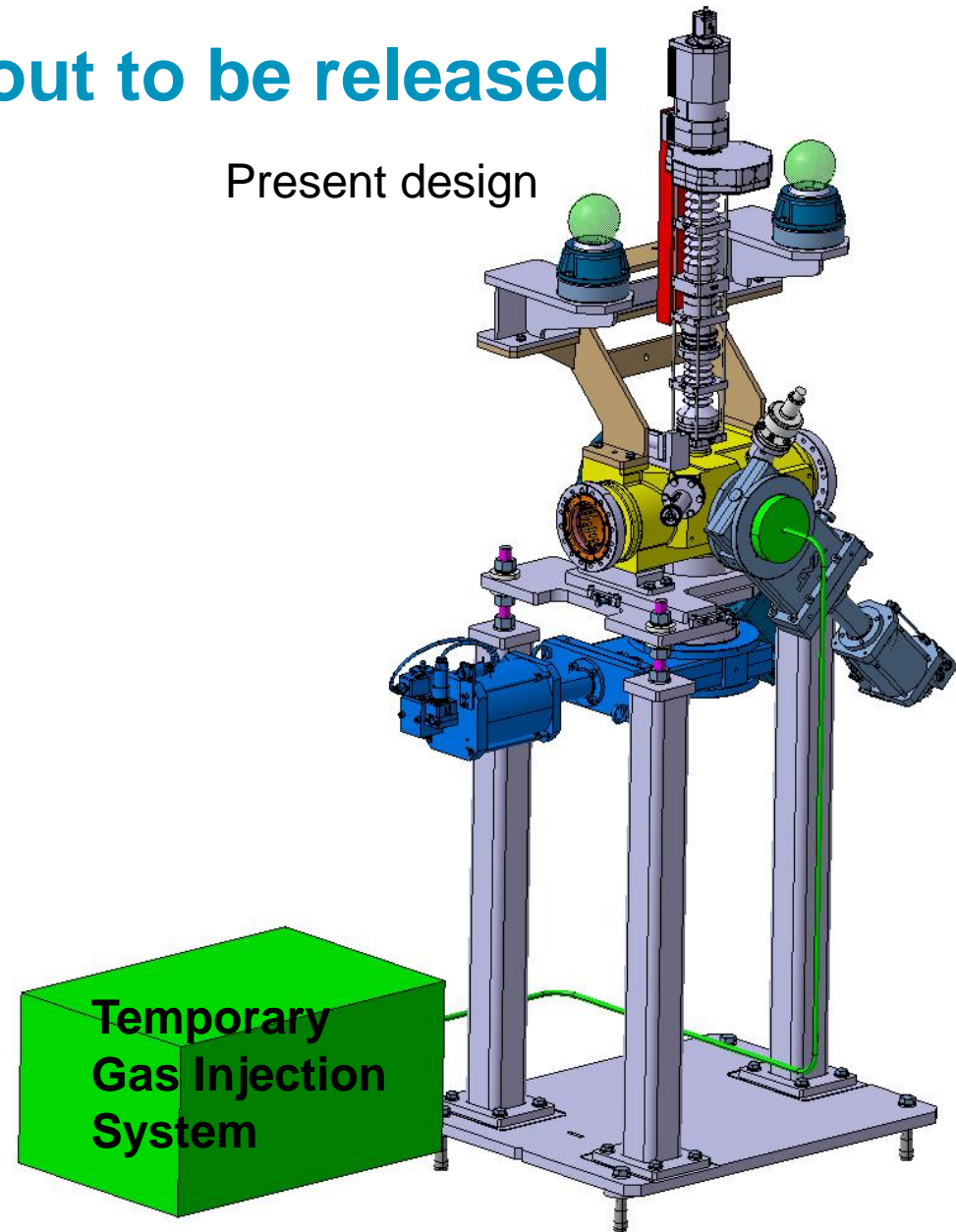
- Administration
- V3 Tunnel Installation Phase 1
- BGC HEL Preparation
- V3 Tunnel Installation Phase 2

Administration 1: CERN internal ECR about to be released

Previous design

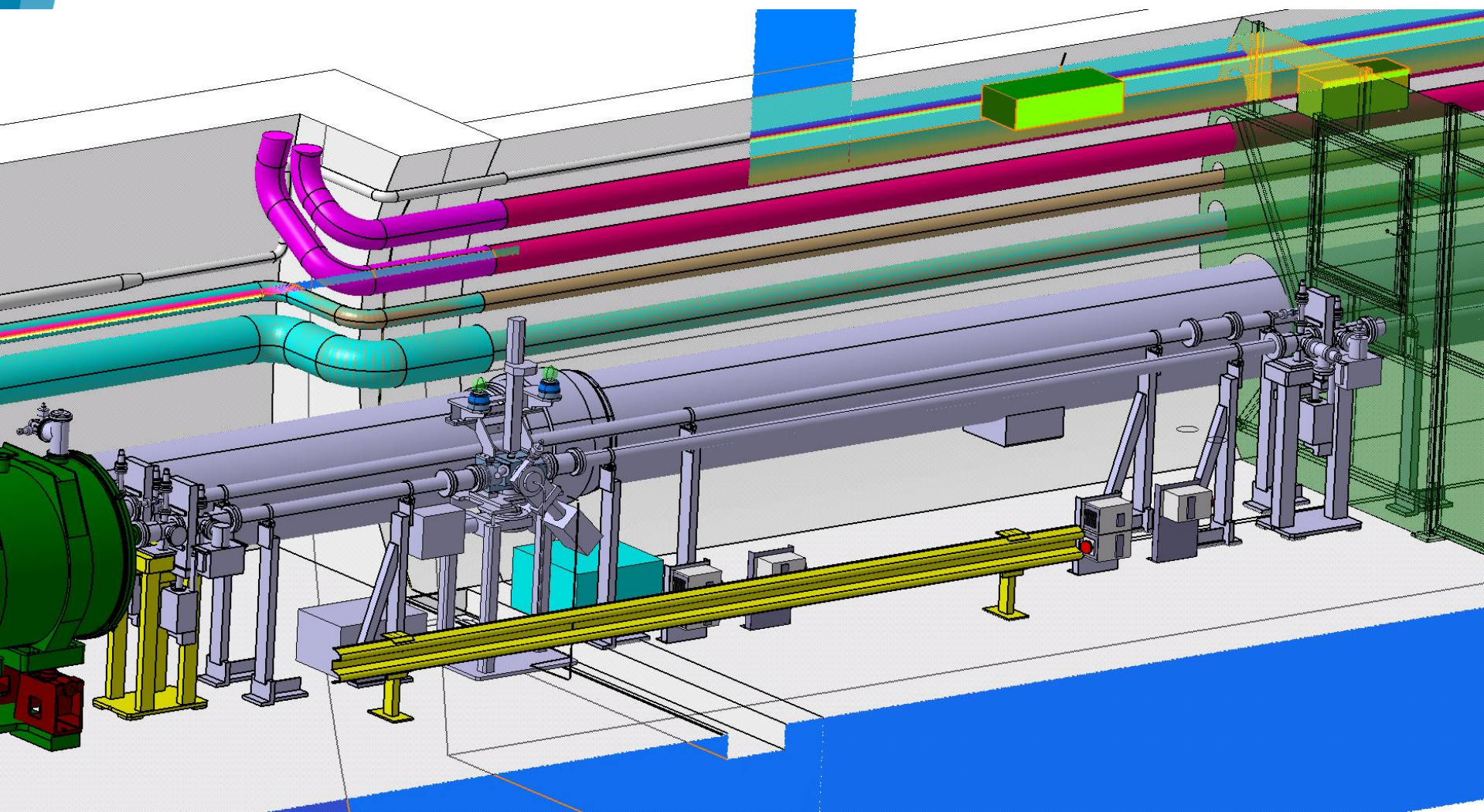


Present design



Tunnel Installation

ST1150059



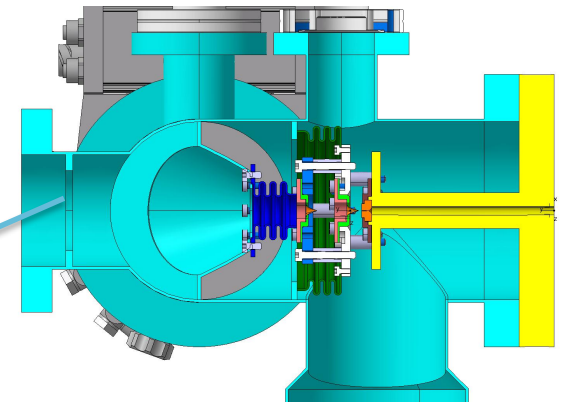
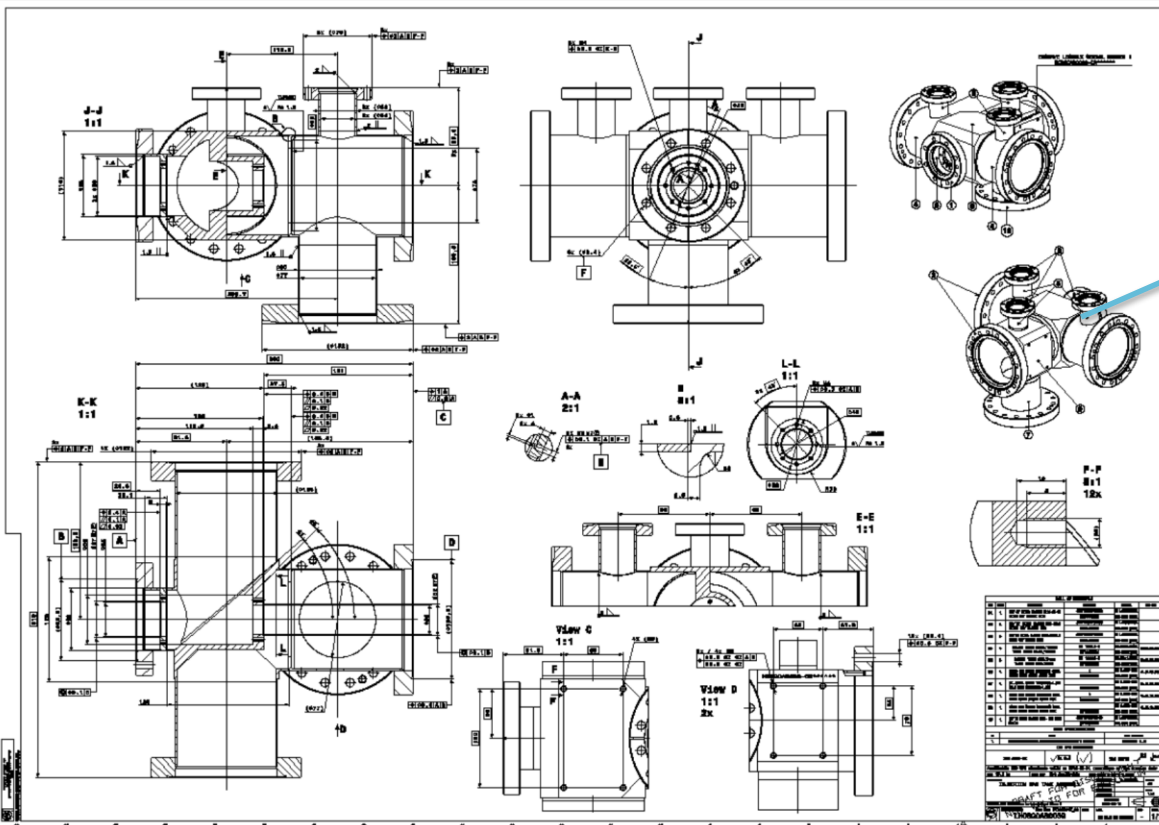
Tunnel Installation Phase 1

- Done:
 - Cable installation (Temporary Gas Injection System tbd)
 - Gas bottle rack
 - All BGC components and installation preparation, including
 - Blackening of the liner
 - Assembly test
 - Lifting test

- To be done
 - Blackening of vacuum chamber
 - Final assembly
 - Vacuum acceptance test
 - Transport and tunnel installation → Hard deadline was: 25 April 2020
 - Installation of Phase 2 gas pipe → during LS2
 - Move and commission of temporary gas injection system → during LS2

BGC HEL Preparation – common design as for LHC tunnel – V3 design

- Done: Nozzle/skimmer vacuum chamber designed LHCBGCAB0039

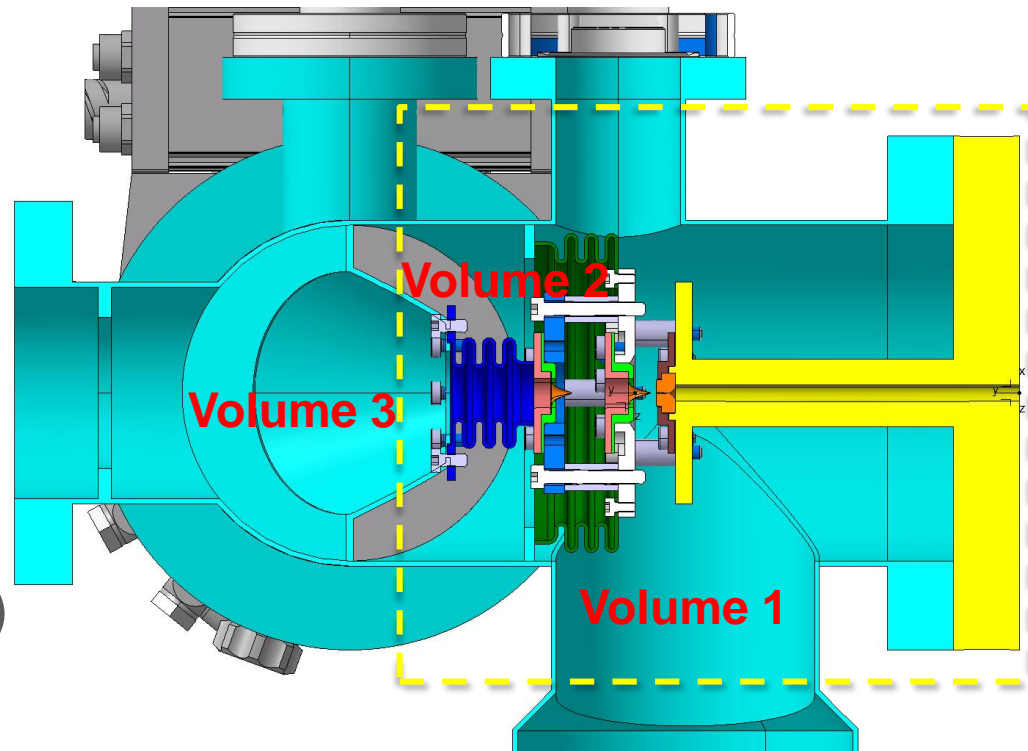


BGC HEL Preparation – common design as for LHC tunnel – V3 design

- To be done
 - Finalise manufacturing drawing of Nozzle/Skimmer/Bellows assembly

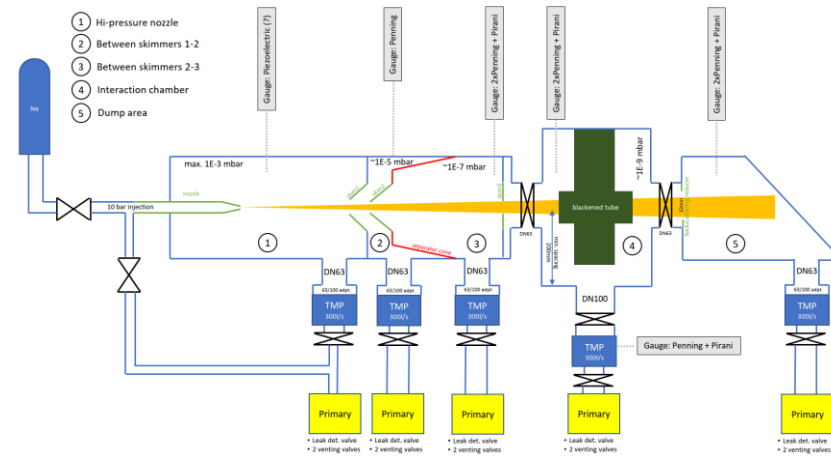
LHC Beamline

- Gas dump
(simple design)



BGC HEL

- All components ready for order by end-April 2020
- TMP order agreed 5x 300 l/s
- Primary pumps: to be ordered
- System assembly and test summer 2020



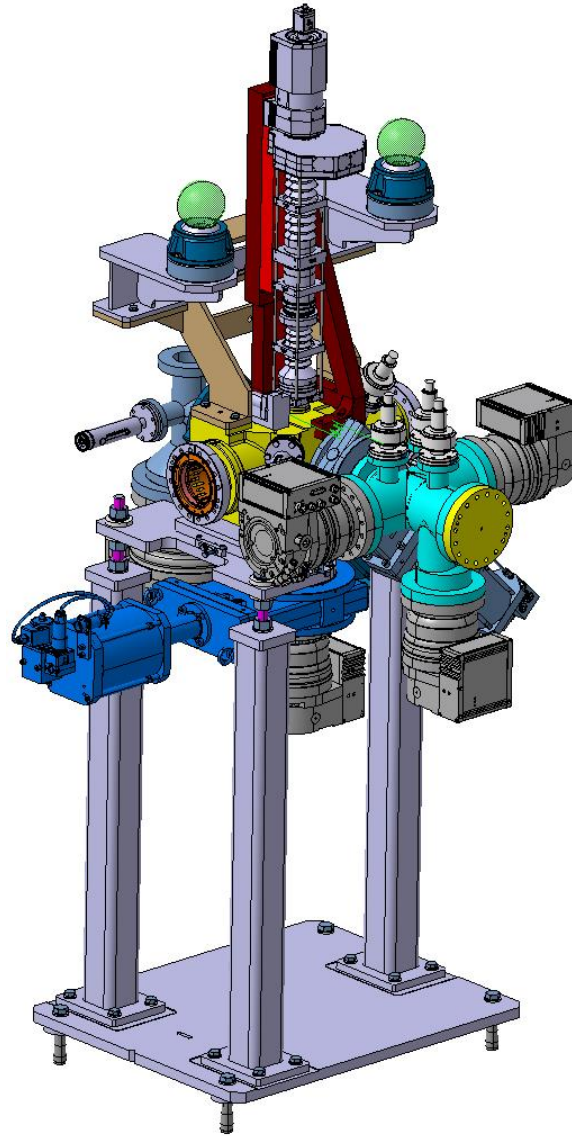
V3 Tunnel Installation Phase 2

- Ideally in LS2
 - Very optimistic, but that is what we are.
- Likely in YETS 2021/22.



Thank for your attention

Phase 2 installation



Phase 2 Stay clear zones

