



## DFX – Meeting 40

W Bailey, J. Pelegrin, Y. Yang

***17 January 2020***

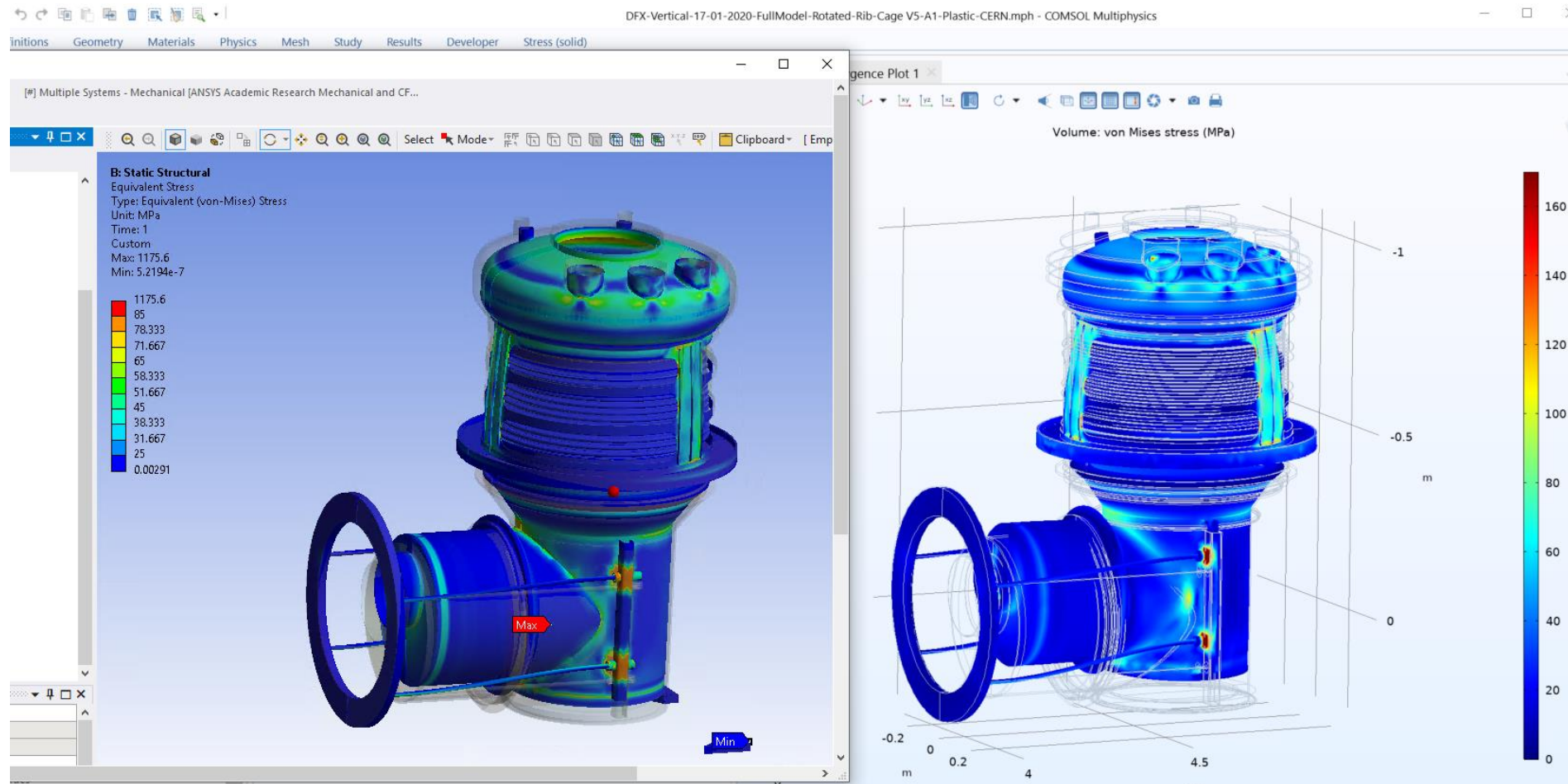
# DFX vertical section – Further updating of design

## Update of modeling

1. Very good convergence of modelled results obtained from ANSYS and COMSOL
2. Modelled comparison of 2 bars vs. 4 bar cases supplied to CERN team
3. Small changes to cage (imposed mainly by manufacturing process) updated and validated in model
  - Spaced the external pines closer to the edges of the cut-outs
  - Reduced the spine height to provide access for the welding

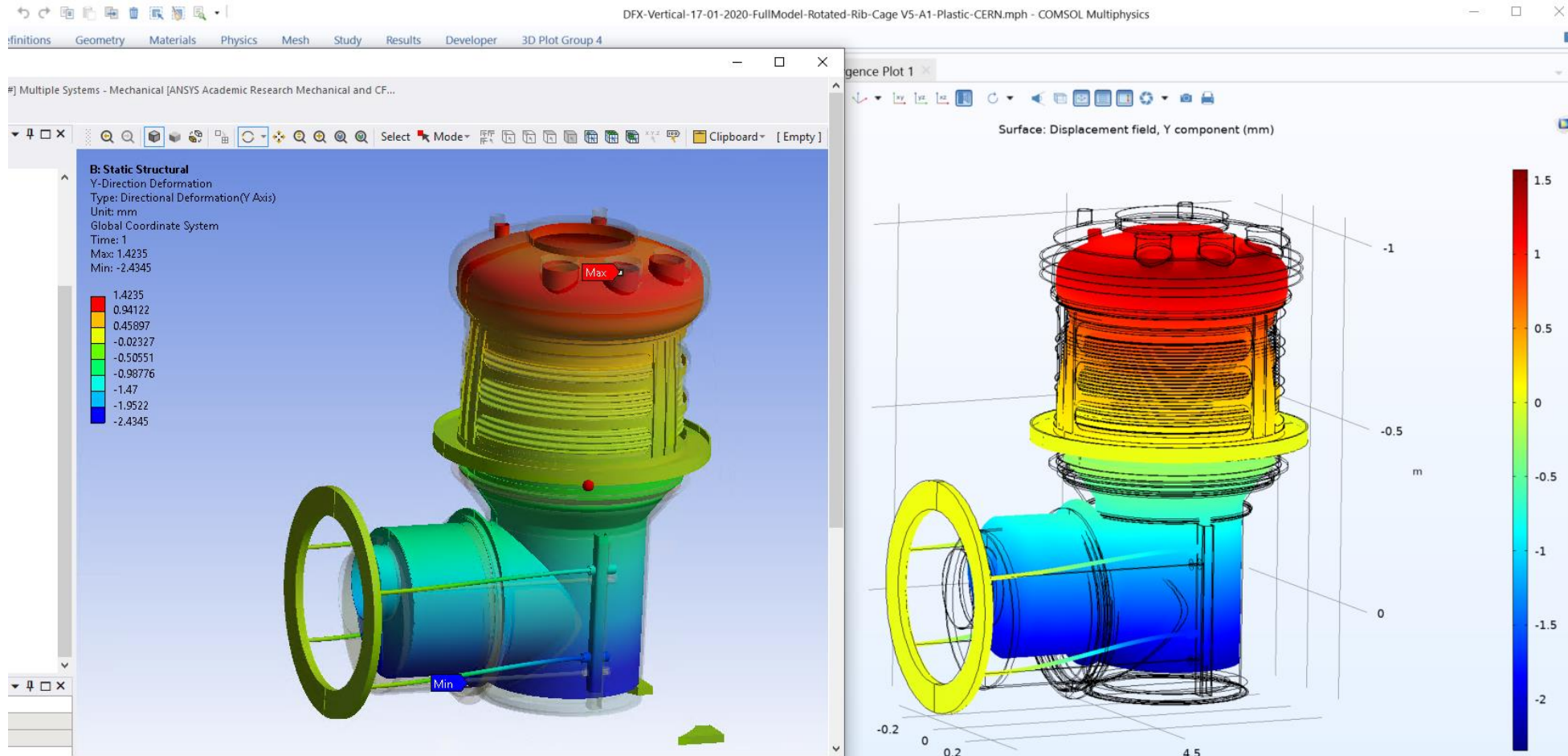
# DFX vertical section – Further updating of design

Convergence between ANSYS and COMSOL – Full Model – CASE A1 (shown)



# DFX vertical section – Further updating of design

Convergence between ANSYS and COMSOL – Full Model – CASE A1 (shown)



# DFX vertical section – Further updating of design

COMSOL – Full Model – CASE A8 (shown) – Squirming of bellows with 2-bars

