



**DFHx**

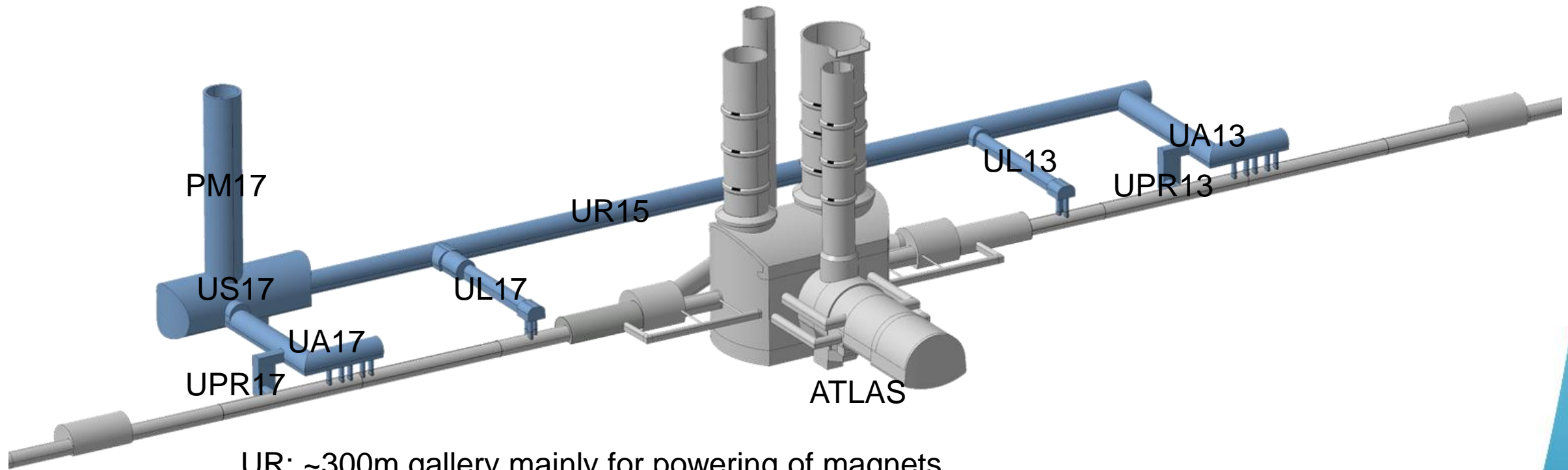
# **UR integration safety items**

R. Betemps / S. Maridor / P. Schneider / F. Pillon ...

Reference : UR15\_1102\_INTEGRATION\_01\_2020 ST1120748\_01

2020.01.29

# IP1 ZONE

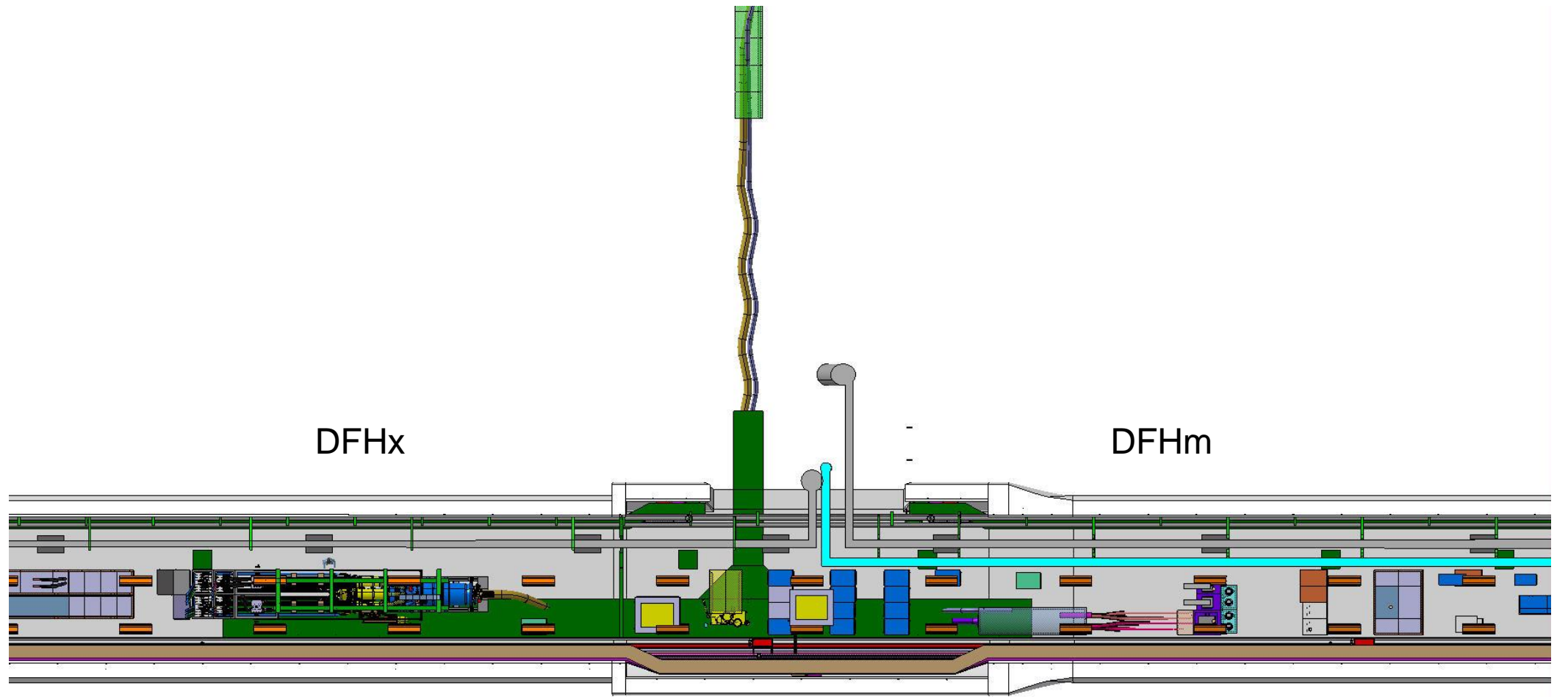


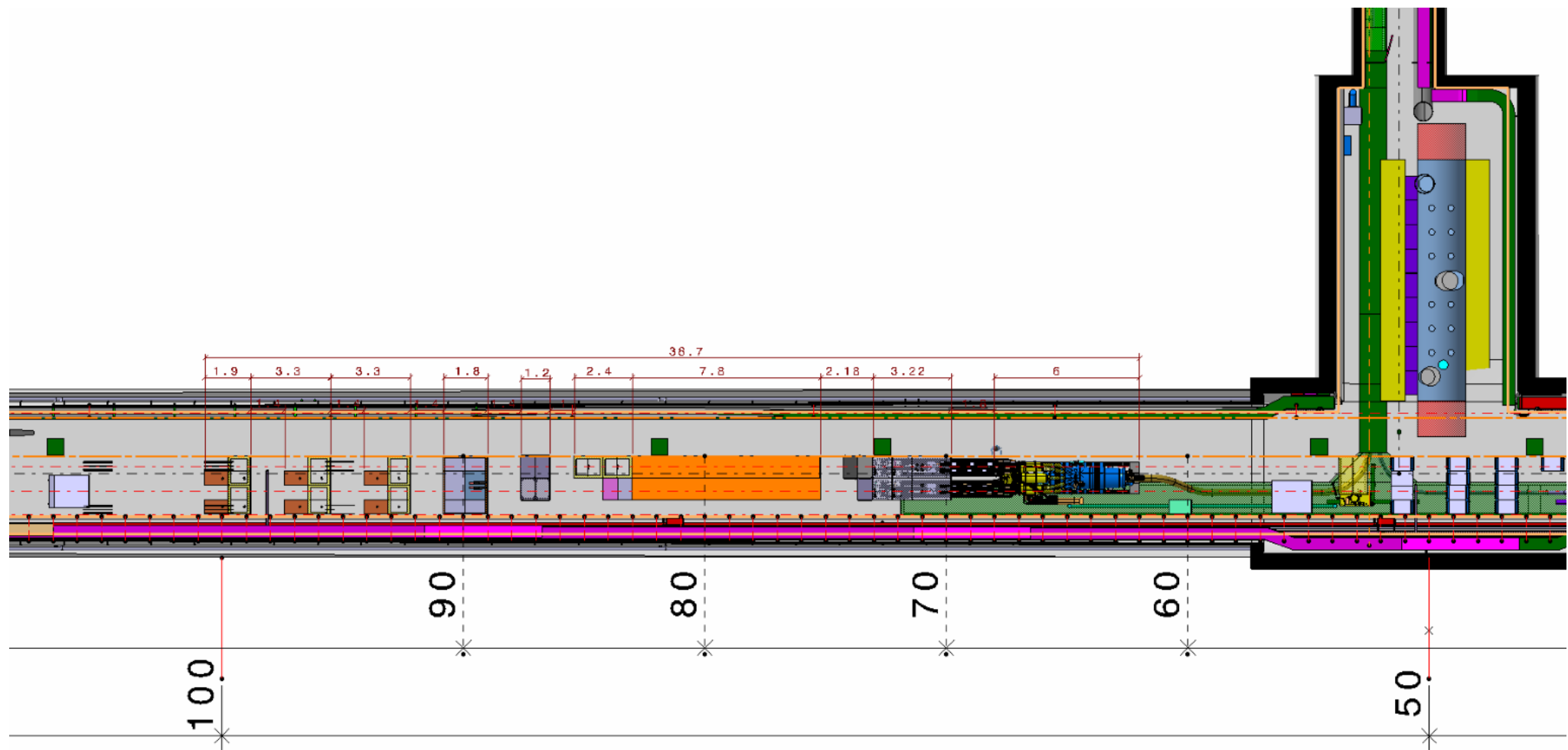
UR: ~300m gallery mainly for powering of magnets.

UL: ~50m galleries for the SC link, QRL and cables. 3 ~10m vertical cores connect to LHC near D1 zone.

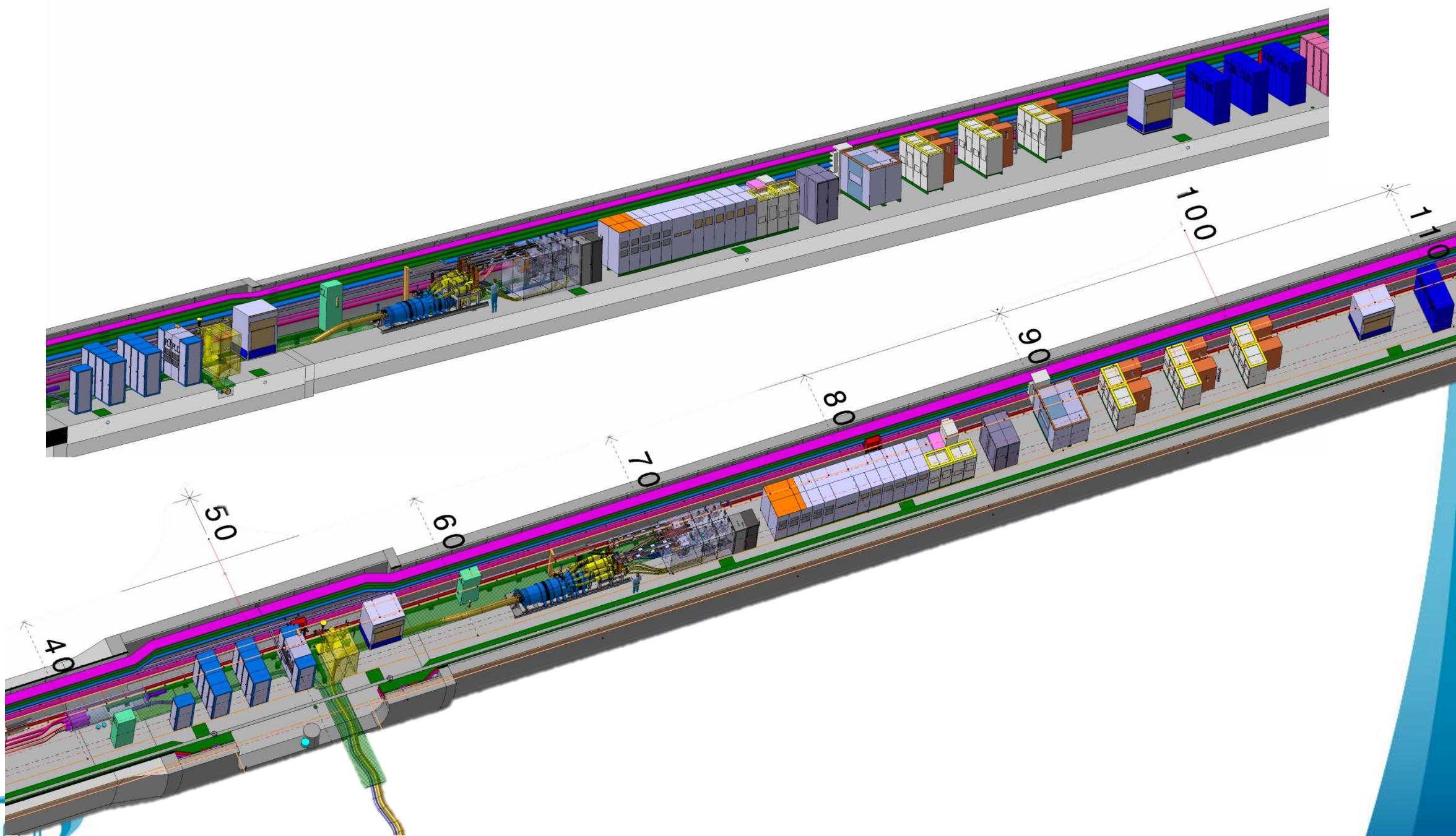
UA: ~50m for RF (Crab Cavities). 3 ~10m vertical cores connect to LHC in CC zone.

UPR: Connection to LHC for personnel.

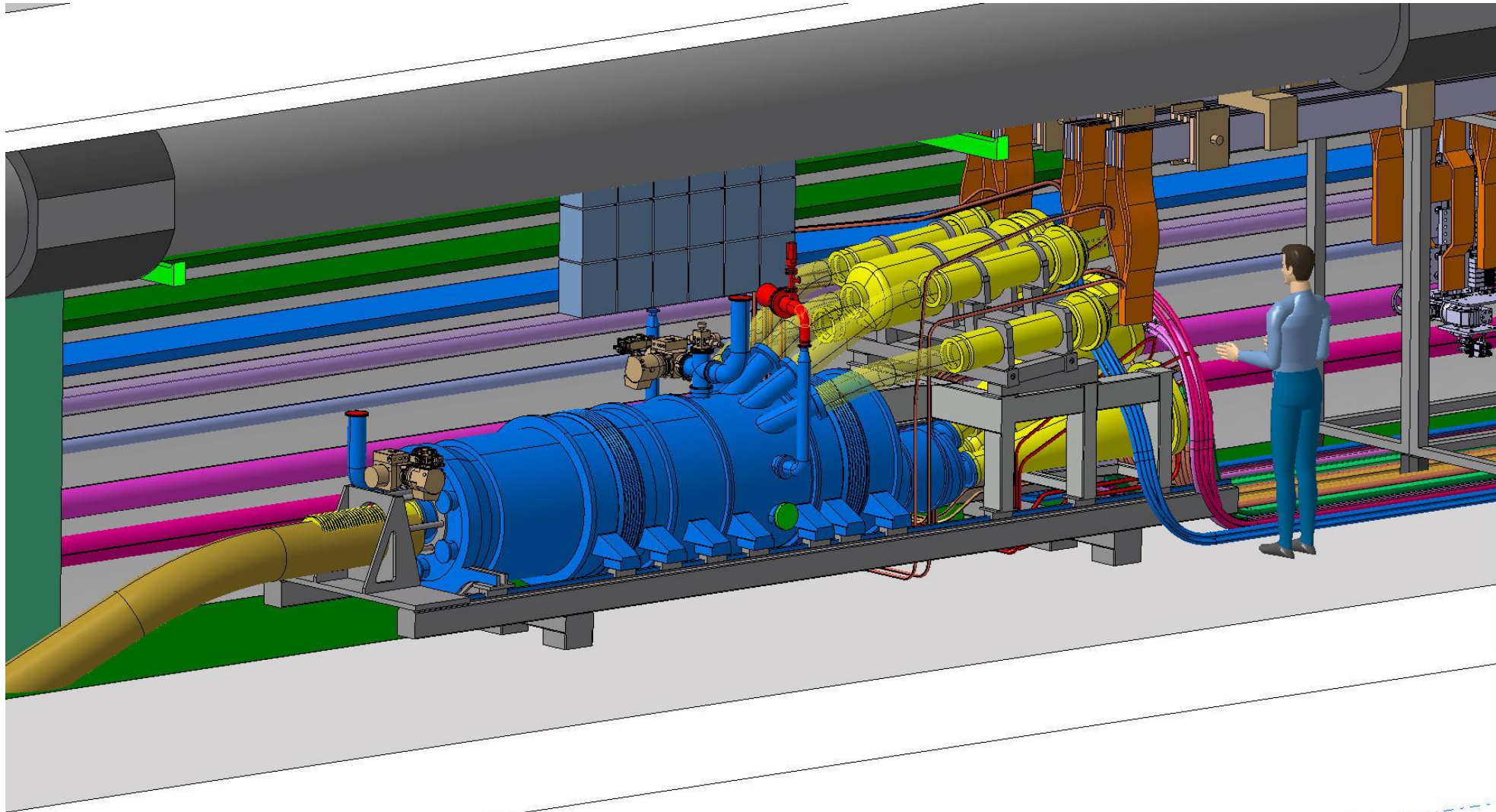






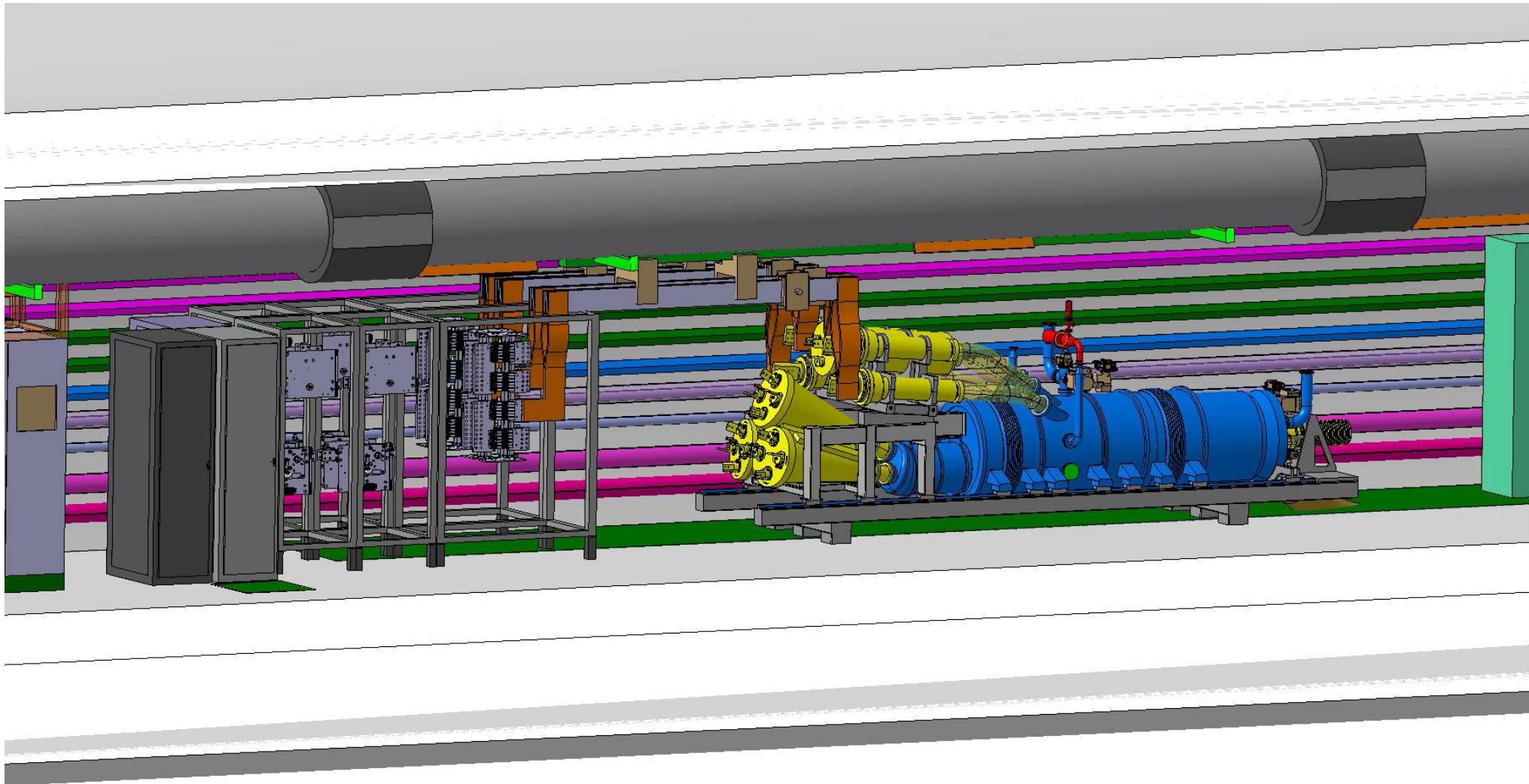


# DFH in the UR tunnel

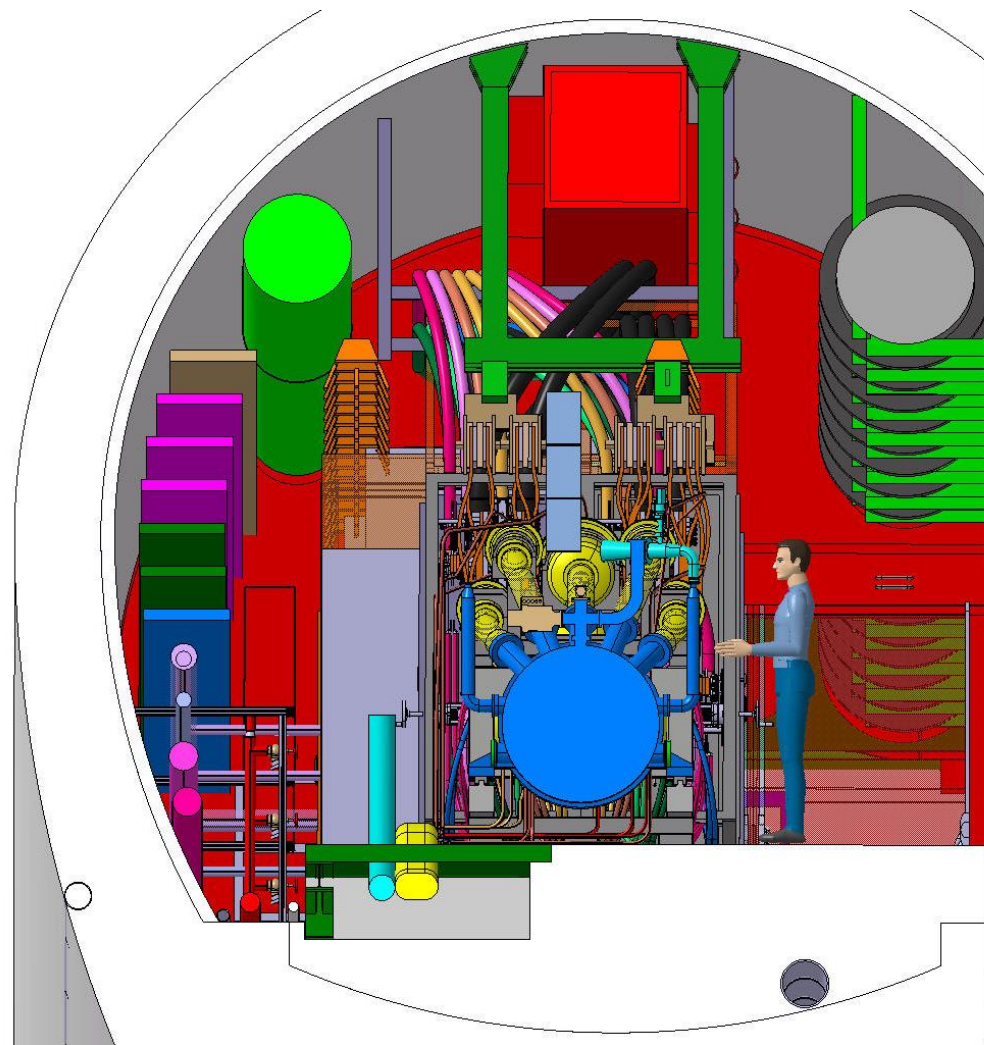




# DFH in the UR tunnel



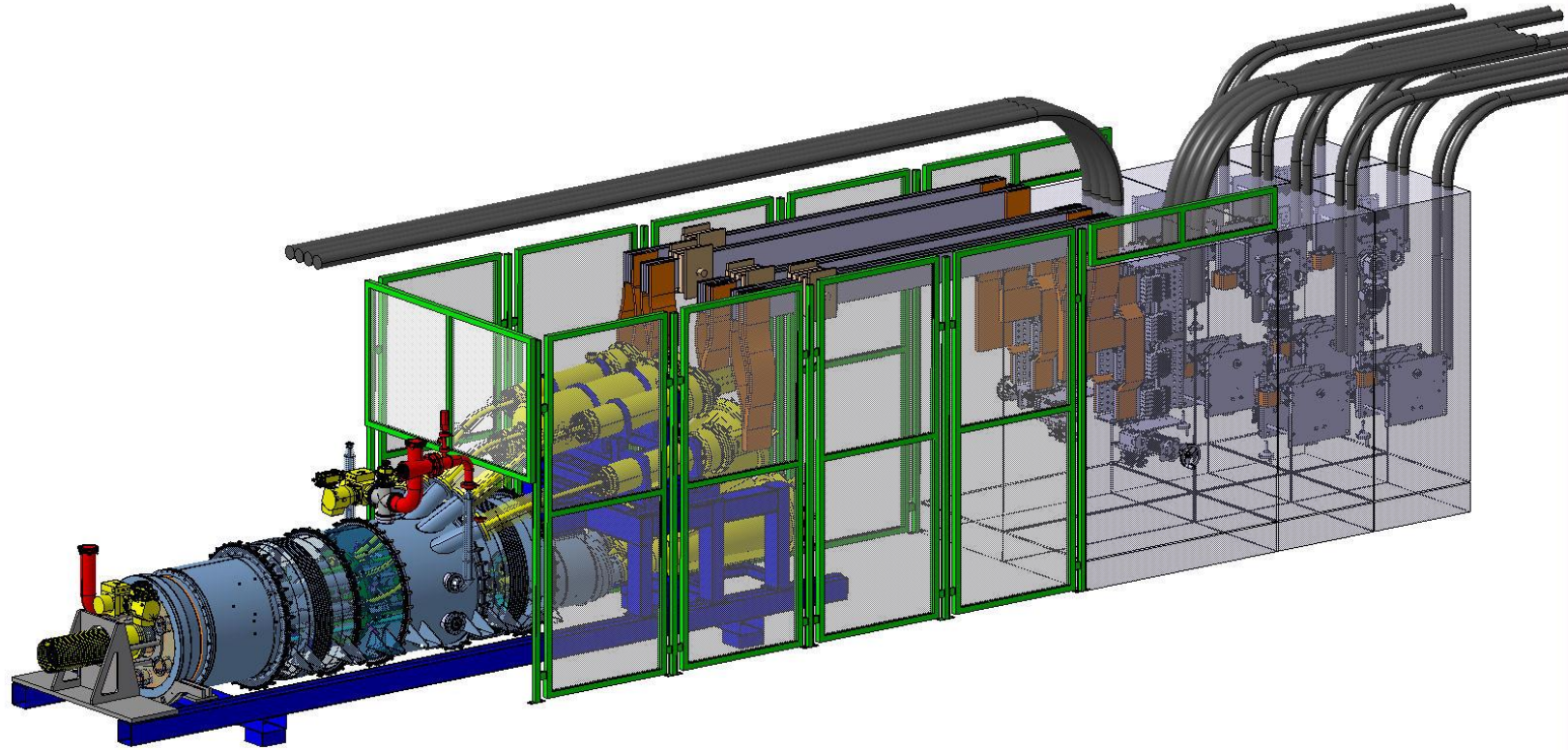
# DFH in the UR tunnel



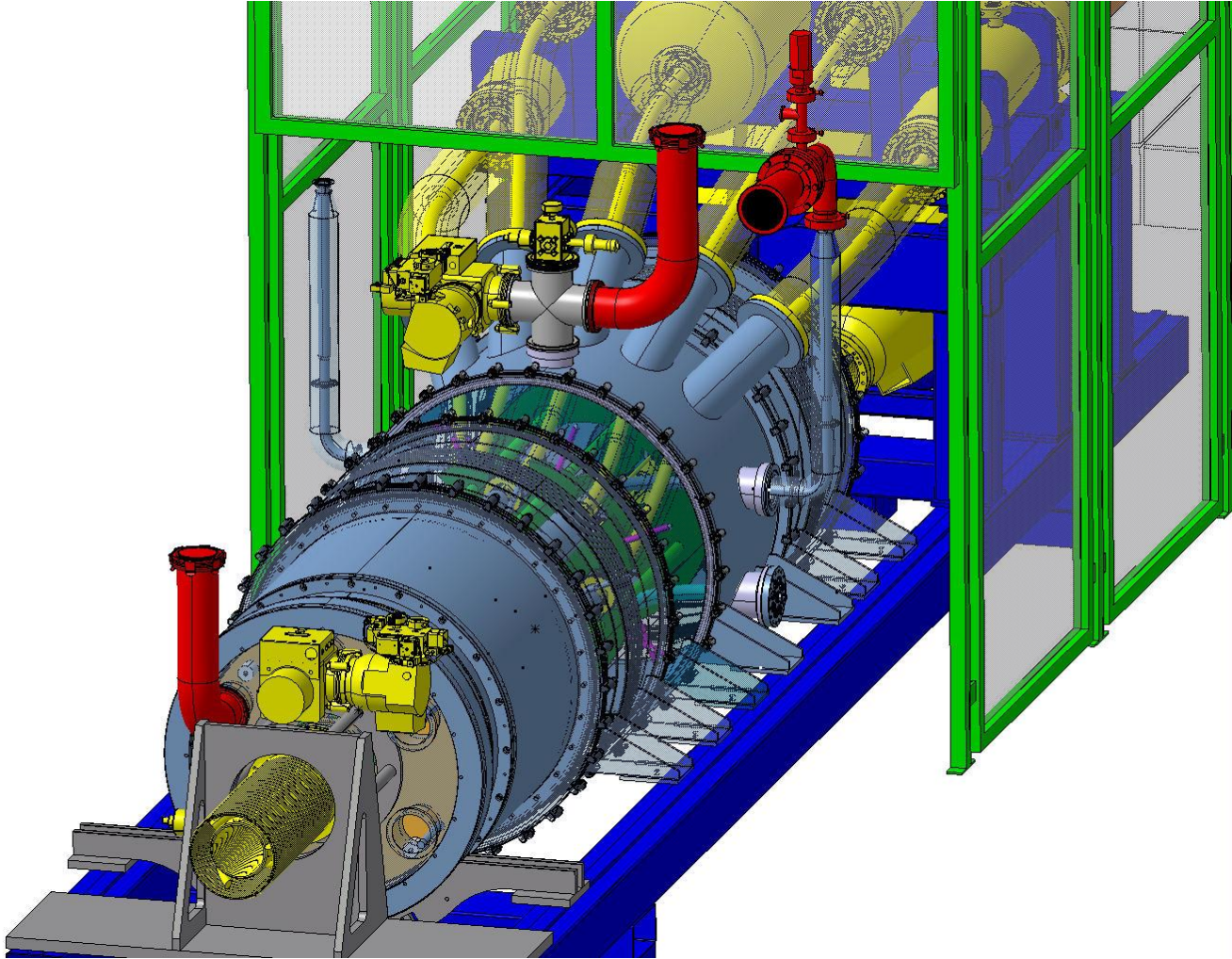
- 
-



# DFH detail integration

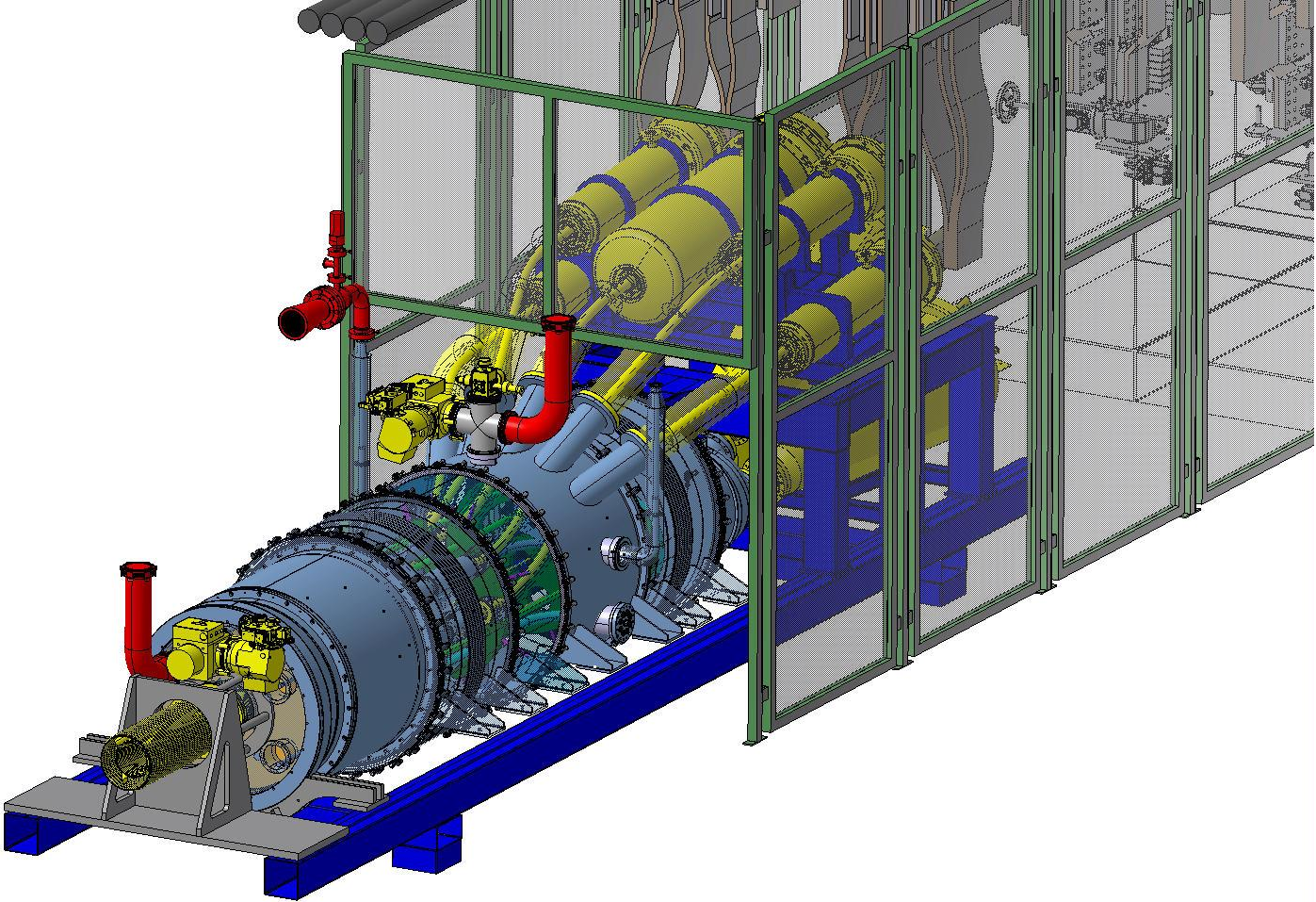


# DFH detail integration

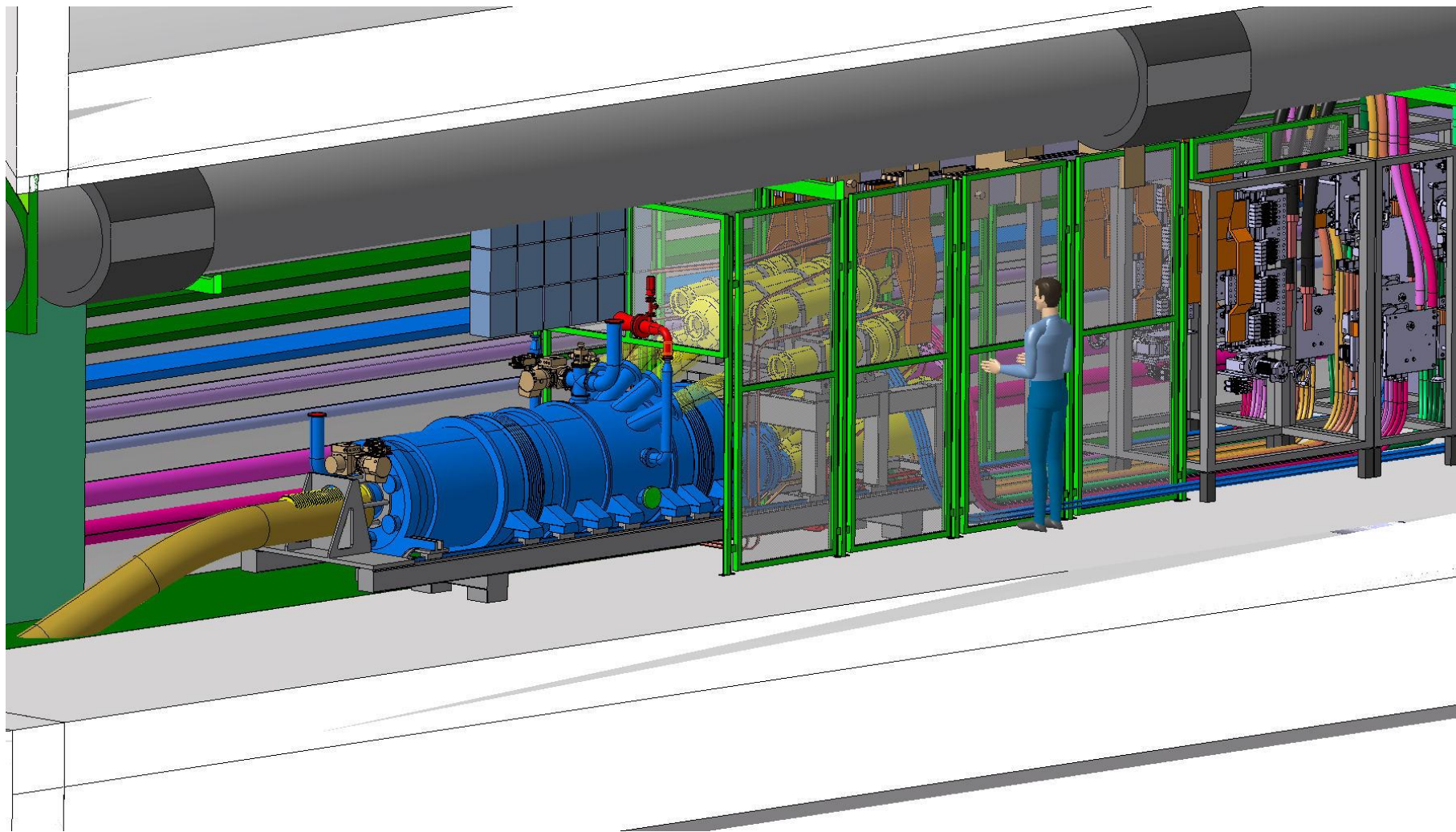


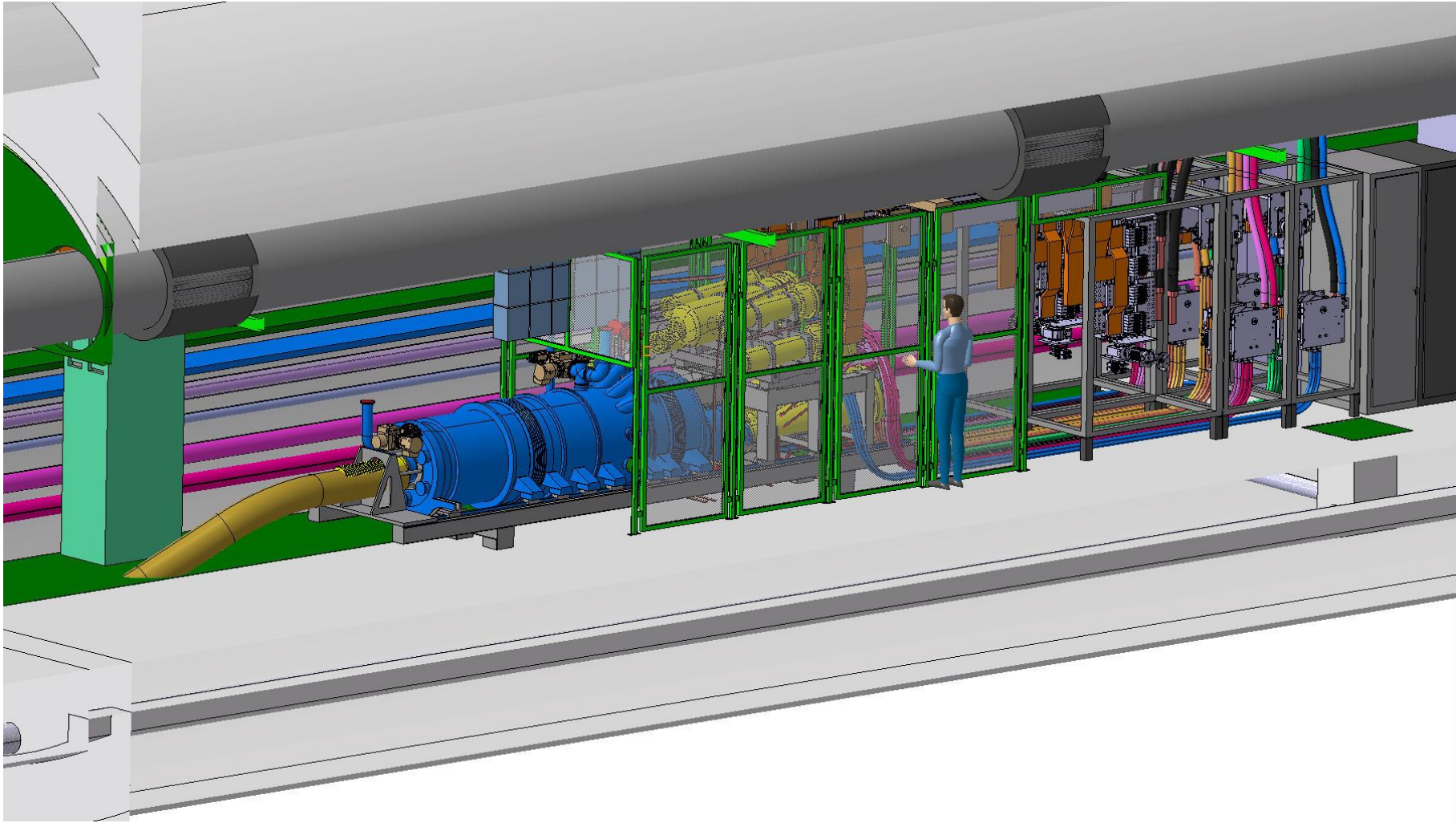


# DFH detail integration







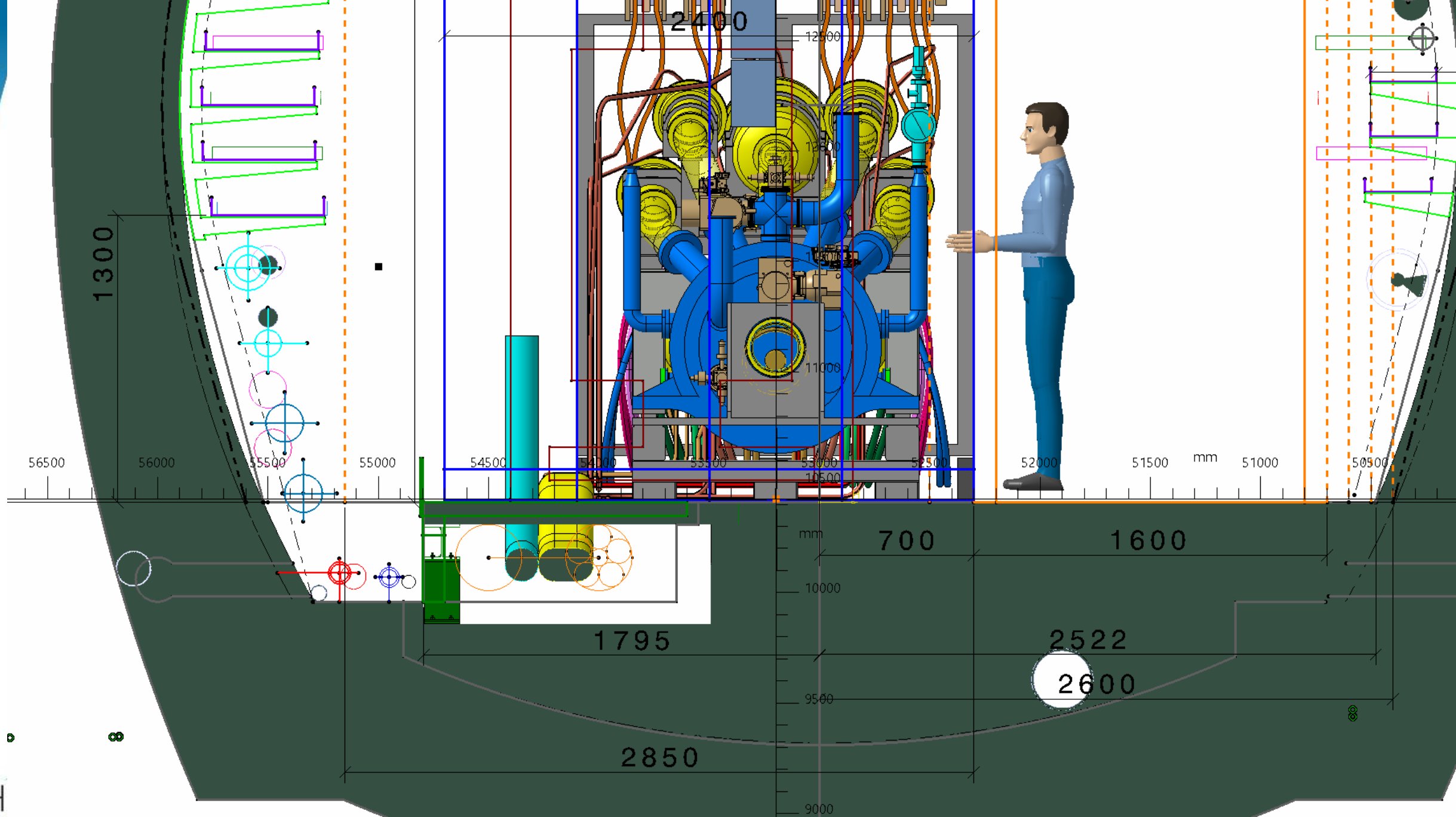


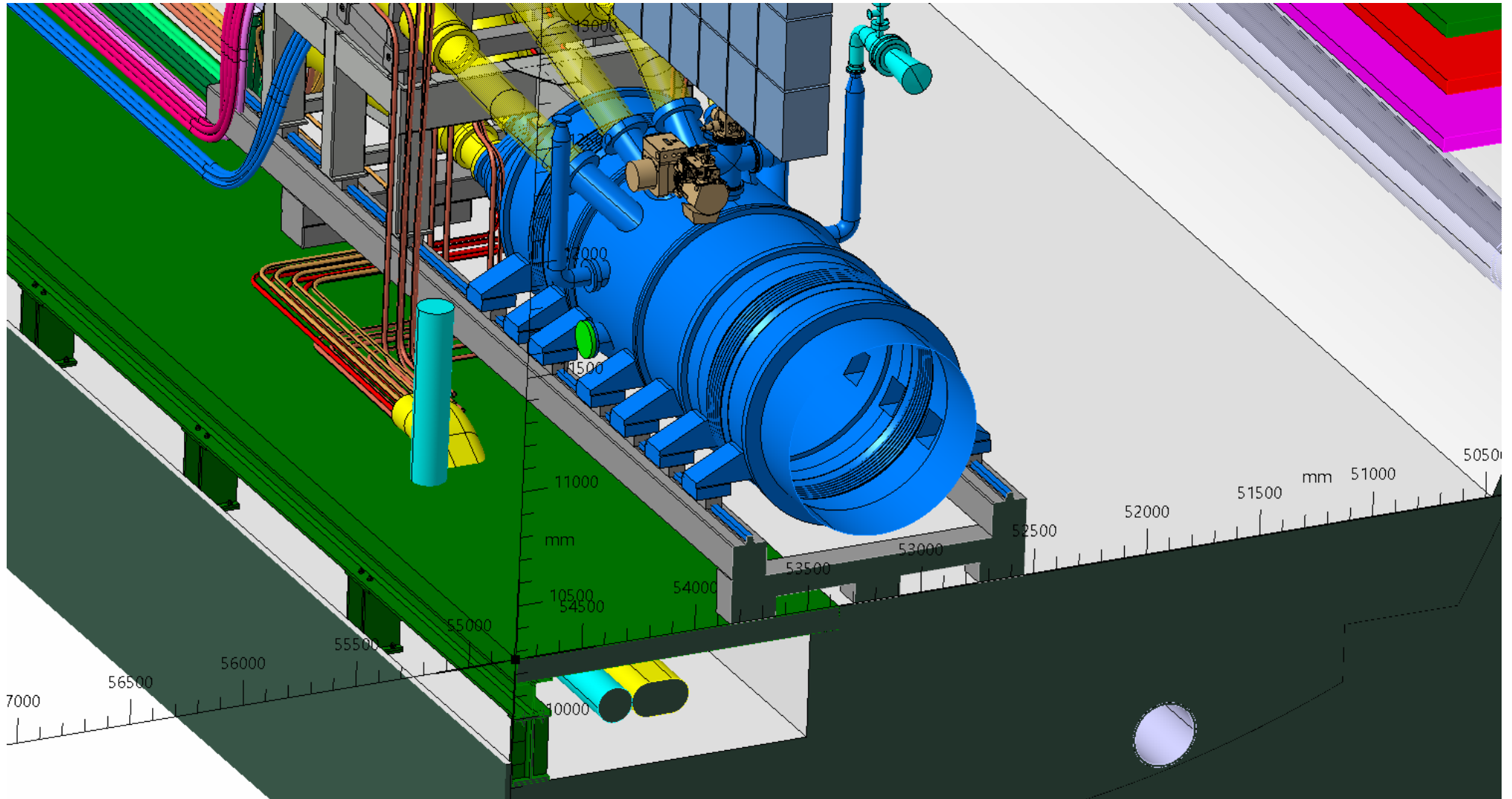
# Additional images

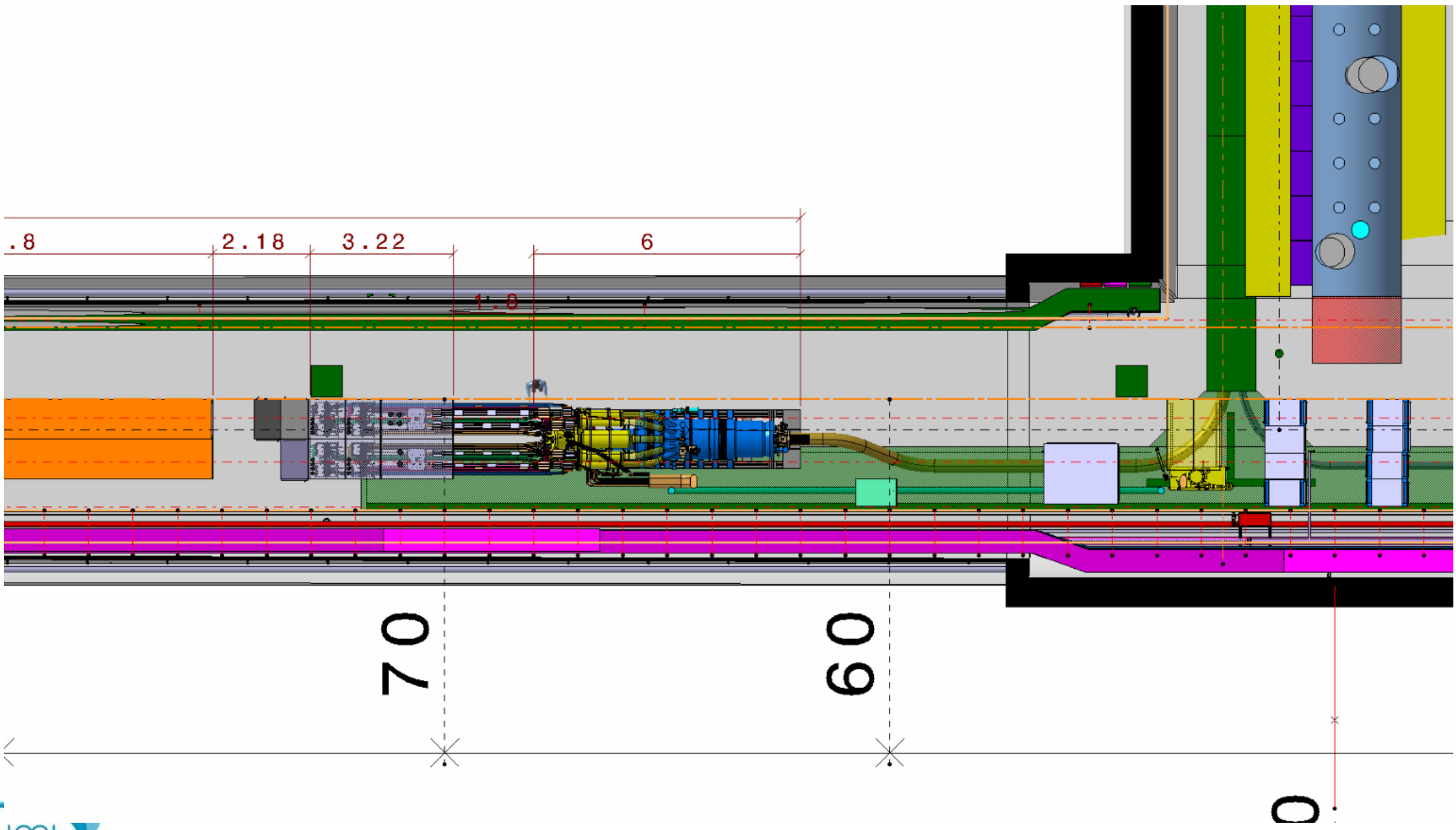
Extract from : ST1120743\_01: P1\_HL\_LHC\_Underground\_Integration\_2020

S. Maridor



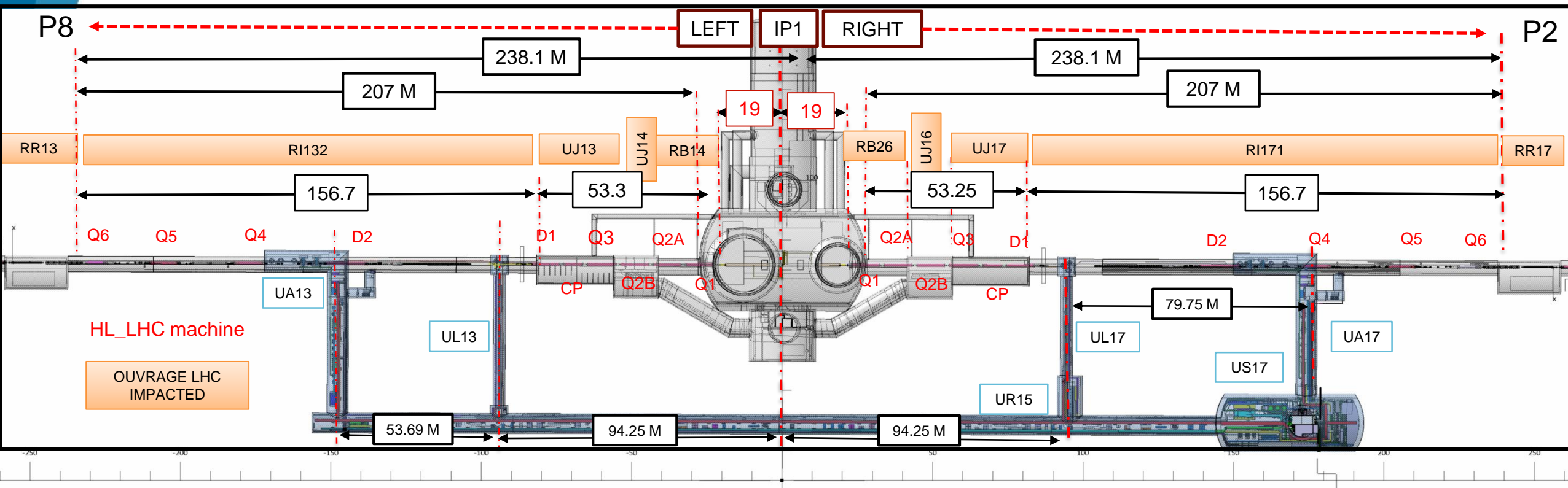








# IP1 ZONE



dcum des-installation LHC MACHINE AT POINT 1

	TO	length		FROM	FROM	length		TO			
DCUM	26420.8			26639.9	19			238			
DISTANCE / IP 5	-238	219.1		-19	0	219		238			
DISTANCE / IP 5	238 / IP -->			<-19 / IP	IP 5 / 19 / IP ->	28.16 / IP -->		<-238 / IP			
LHC MACHINE LEFT SIDE AND SERVICE TO DISMOUNT ( ≈ 219 m )					LHC MACHINE RIGHT SIDE AND SERVICE TO DISMOUNT ( ≈ 219 m )						
LENGTH	< 20 >	< 156.73 >	< 25.5 >	< 14 >	< 13.78 >	< 13.75 >	< 14 >	< 25.5 >	< 156.73 >	< 20 >	
LHC OUVRAGE	RR13	RI132	UJ13	UJ14	RB14	UX15	RB16	UJ16	UJ17	RI171	RR17