



Enabling Grids for E-science

ENOC status

LHC-OPN meeting – 2007-01-12, Cambridge

Mathieu Goutelle (CNRS UREC), mathieu.goutelle@urec.cnrs.fr
Guillaume Cessieux (CNRS IN2P3), guillaume.cessieux@cc.in2p3.fr

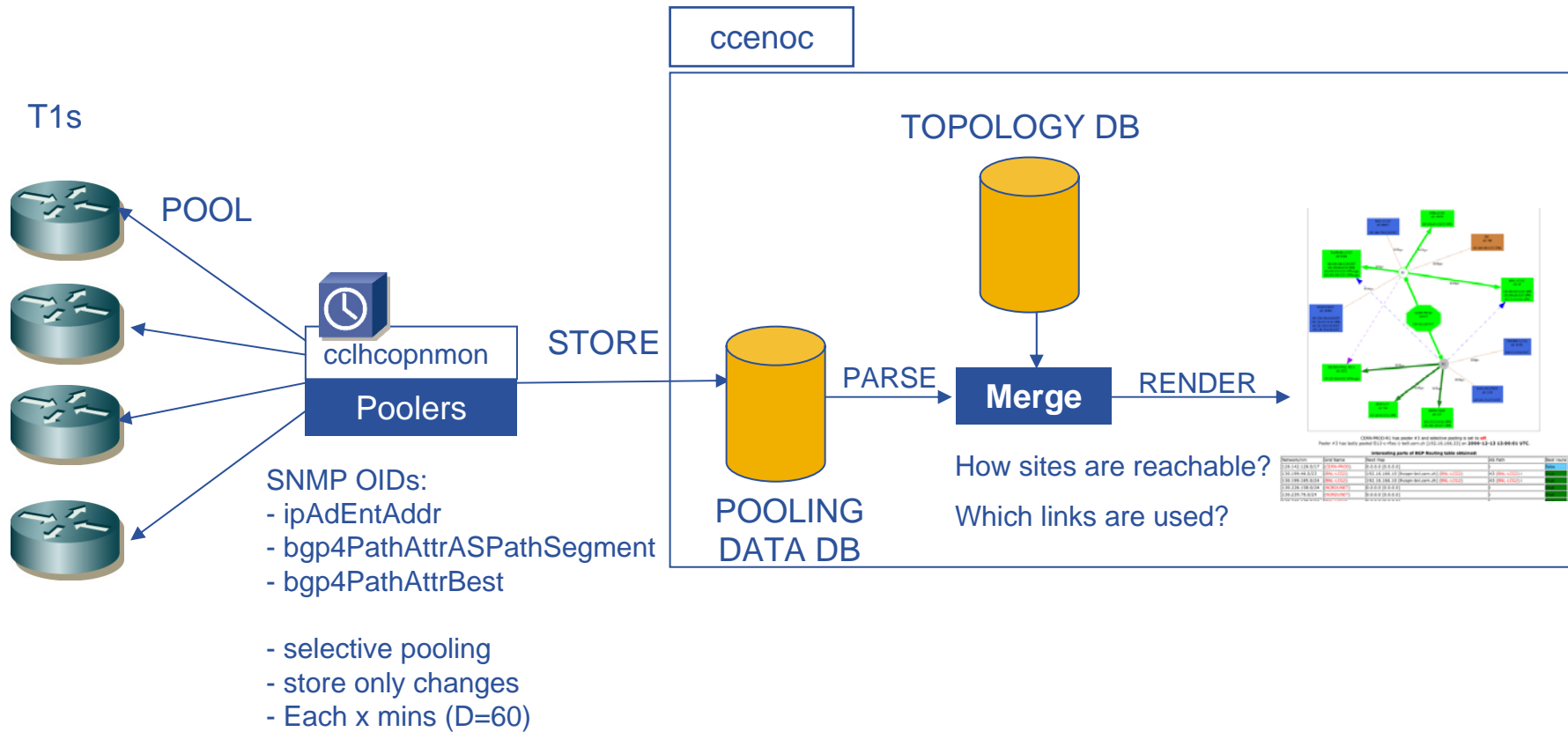
www.eu-egee.org



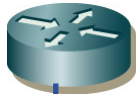
Information Society
and Media



- **BGP status monitoring:**
 - ASPDrawer: How it works?
 - Quick overview of the maps;
 - Next steps;
- **ENOC workplan**
 - BGP status;
 - E2ECU collaboration;
 - Monitoring/surveillance of the OPN.



T1's router



ipAdEntAddr:

IP-MIB::ipAdEntAddr.192.70.69.33 # IpAddress: 192.70.69.33

IP-MIB::ipAdEntAddr.192.70.69.150 # IpAddress: 192.70.69.150

IP-MIB::ipAdEntAddr.193.48.93.1 # IpAddress: 193.48.93.1

← Interface's IPs for router →

Update topology database

But static data needed:

- Which networks belong to LHCOPN?
- Kind of links ? Backup or not ?

bgp4PathAttrASPathSegment:

SNMPv2-SMI::mib-2.15.6.1.5.128.142.128.0.17.192.16.166.41 # Hex-STRING: 02 01 02 01

→ 513 513

SNMPv2-SMI::mib-2.15.6.1.5.130.199.48.0.23.192.16.166.41 # Hex-STRING: 02 02 02 01 00 2B

→ 513 513 43

SNMPv2-SMI::mib-2.15.6.1.5.130.199.185.0.24.192.16.166.41 # Hex-STRING: 02 02 02 01 00 2B

OPN networks

Selective pooling: pool only OPN networks present in topology db (FZK issue)

Next Hop

AS Path (hex) - no longer used

But is route used ? (pbr issues...)

bgp4PathAttrBest:

SNMPv2-SMI::mib-2.15.6.1.13.128.142.128.0.17.192.16.166.41 # INTEGER: 2

SNMPv2-SMI::mib-2.15.6.1.13.130.199.48.0.23.192.16.166.41 # INTEGER: 2

SNMPv2-SMI::mib-2.15.6.1.13.130.199.185.0.24.192.16.166.41 # INTEGER: 1

← Is best ? 1: false, 2:true

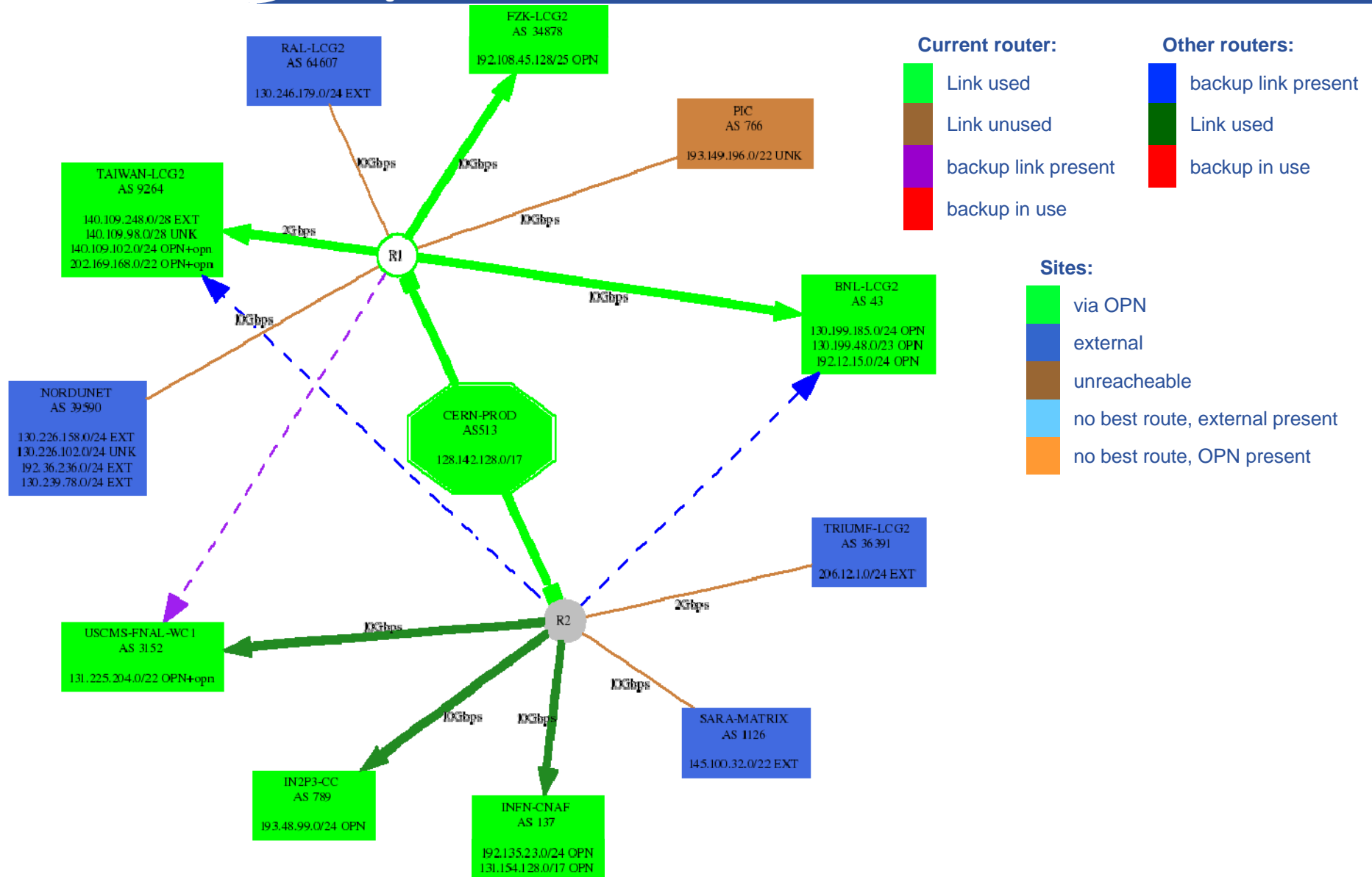
↓
Second best or filtered ?

- Merge with topology database to determine:
 - Which networks/sites are reachable
 - What are possible next hops → which links are used
- Draw topology map, color links, sites, etc according to their computed and static status

- <https://ccenoc.in2p3.fr/ASPDrawer/>
 - AA based on certificates (instructions circulated on the routing ML);
 - Ask Guillaume for any comments / issues / requests.

- **What does a map show?**
 - Currently used links (preferred routes);
 - Are the backup routes announced and usable?
 - Routes outside the OPN to reach the sites.

- **Possible issues:**
 - Security issues?
 - To pool via the OPN is maybe liable to problems in case of outage.
 - How to show that 2 prefixes of a site among 3 are not reachable?
 - What is a reasonable pooling rate (currently every hour)?
 - Is an on-demand pooling useful (in case of tests for instance)?



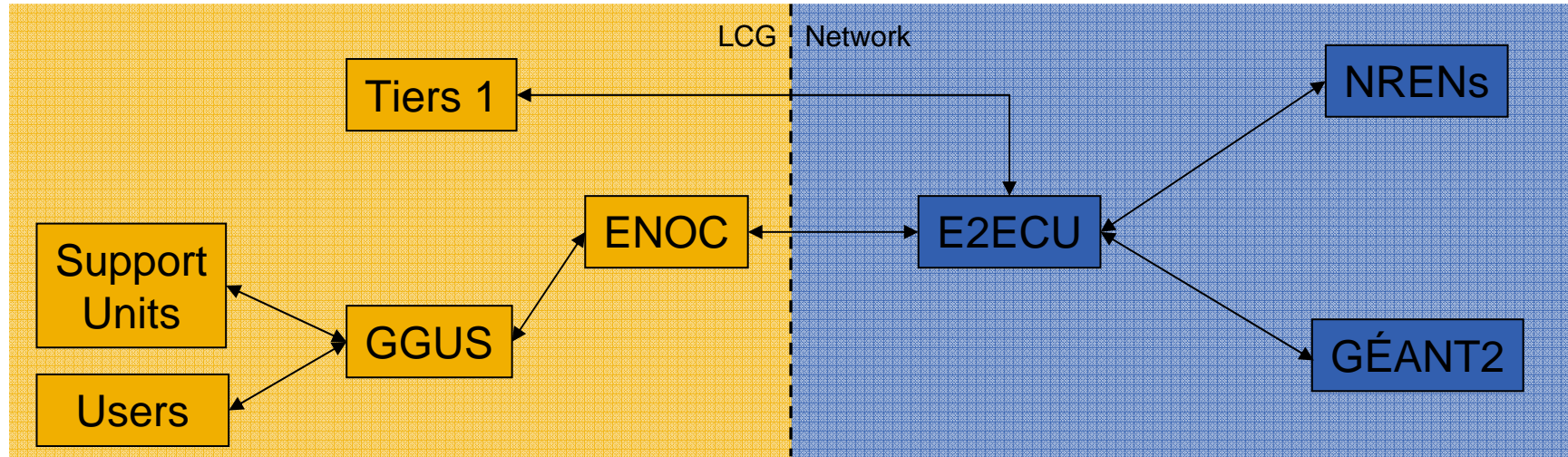
- **Current status:**

- Currently monitored: CERN (R1 and R2), FNAL, FZK, IN2P3;
- Currently missing: ASGC, BNL, CNAF, NORDUGRID, PIC, RAL, SARA, TRIUMF;
- If you find it useful, please consider to join:
 - SNMP read-only access from cclhcopnmon.in2p3.fr (193.48.99.80);
 - Community string up to you.
- If not, please provide feedbacks how to improve it!

- **Next steps:**

- **Behaviour in case of outage** (will the polling still work?): to be checked during the backup tests.
- Historic of changes (evolution of the maps);
- Alarms when something changes?

- **BGP status monitoring:**
 - Prototype OK: now need the comprehensive set of the OPN BGP peers;
 - Next steps: **behaviour in case of outage**, historical maps, alarms.
- **E2ECU:**
 - Planned end of the transition phase: beginning of January (see update on the E2ECU);
 - The E2ECU is now almost OK (pilot service) → integrated in the set of “standard” NREN NOCs (with particular procedures);
 - Need to sort out details on procedures and validation;
 - The whole picture needs to be drawn:
 - Problems with regards to GGUS tickets; what about maintenance not announced by the E2ECU?
 - Will work together with Dante to sketch the whole picture.



- **This is the current picture as we understand it (only for L2!):**
 - Needs to be detailed to cover all the different cases of operational notices (coming from T1s, from US, others...);
 - Does the T1s need the GGUS reference?
- **Needs to detail the procedures in case of layer 3 incidents!**
- **Procedures finalization is the next step:**
 - Deadline: end of January.

- **Monitoring/surveillance of the OPN:**
 - ENOC OK to do the monitoring/surveillance of the OPN;
 - Waiting for the monitoring WG:
 - What is to be deployed?
 - Needs to merge the requirements of the various groups (security, routing, operations, ENOC) to derive the monitoring requirements.

Questions?