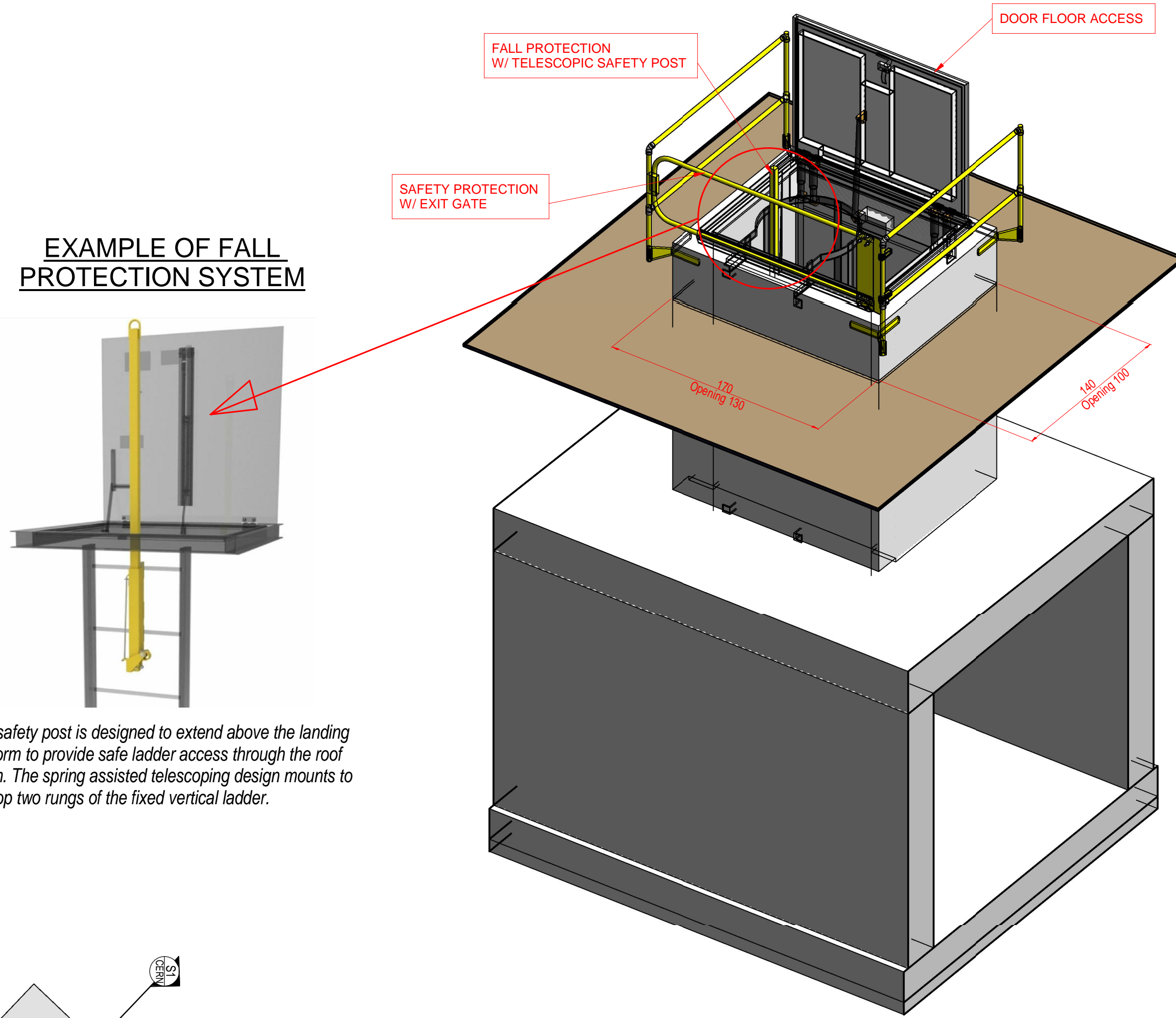
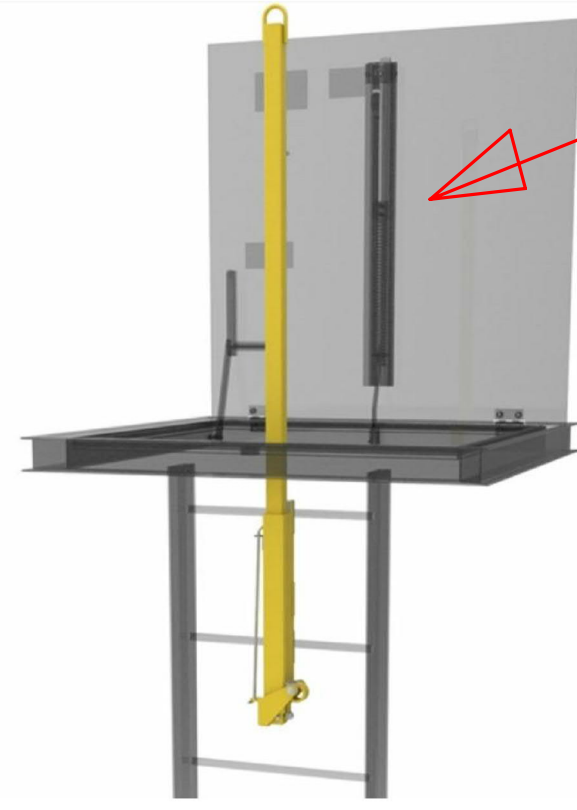


Gallery access - Typical 3D view



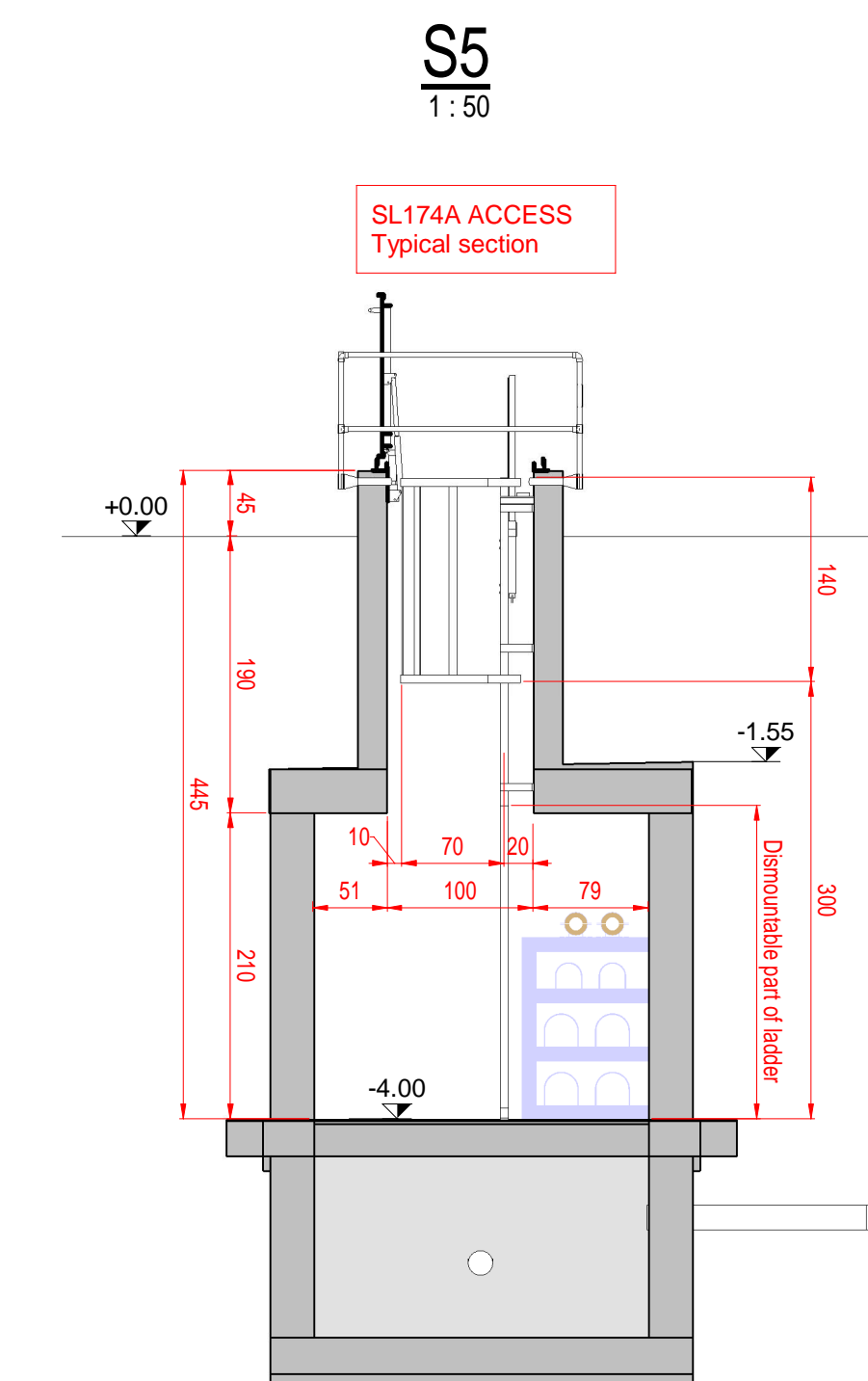
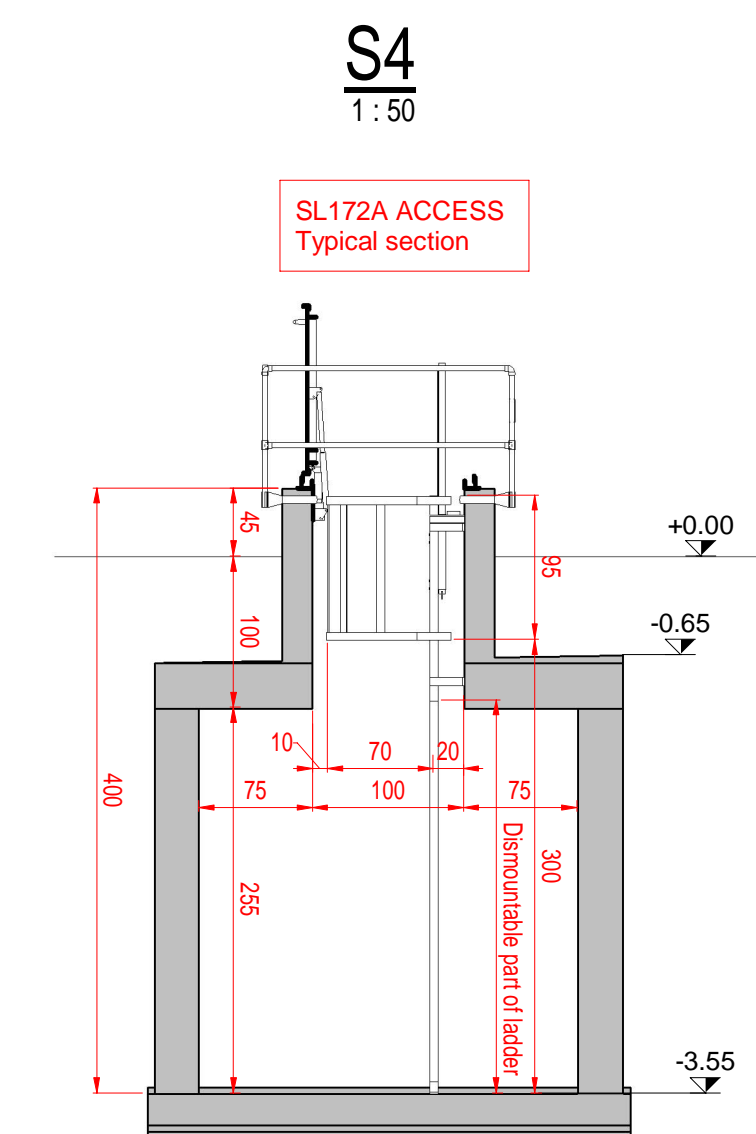
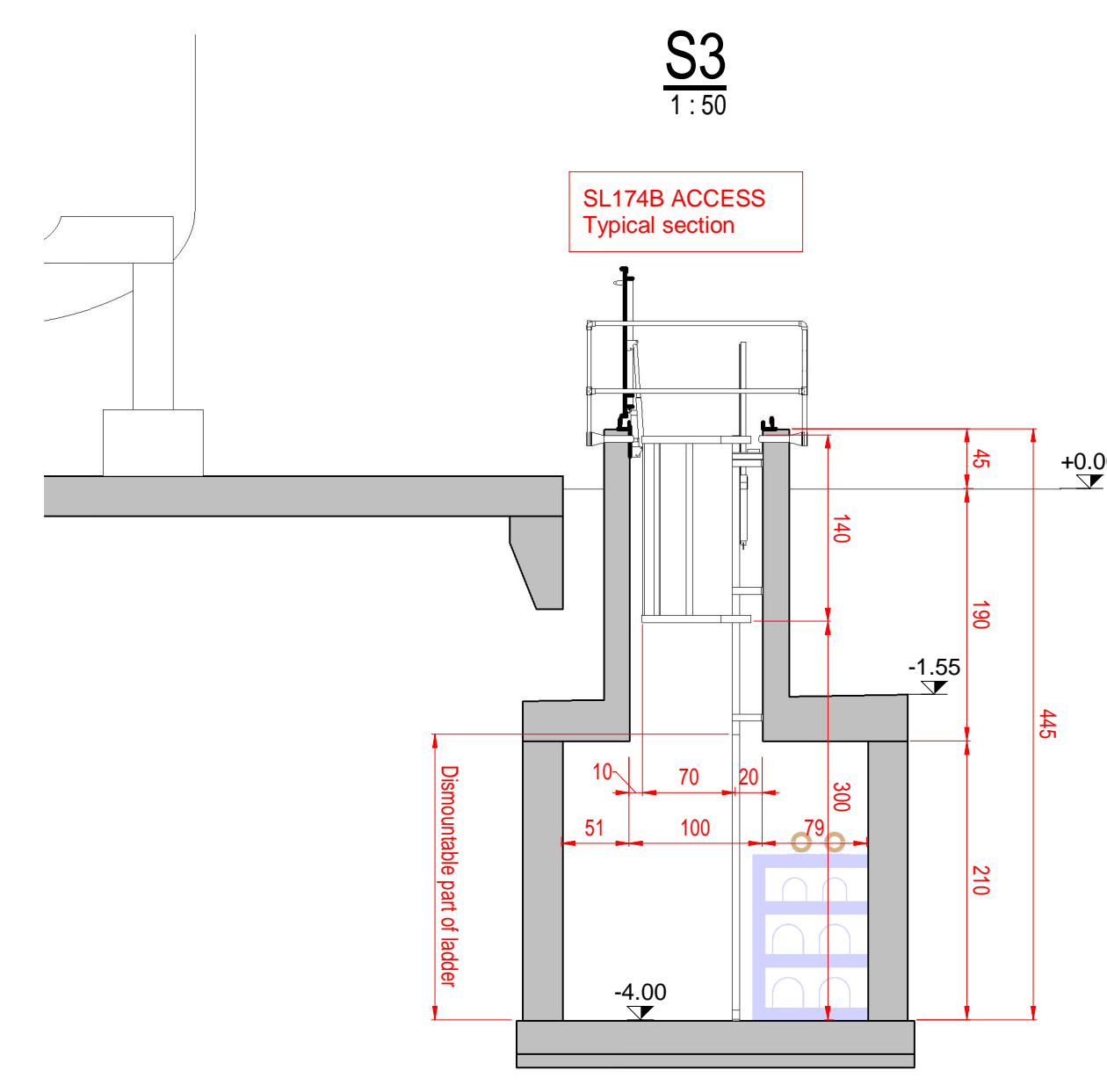
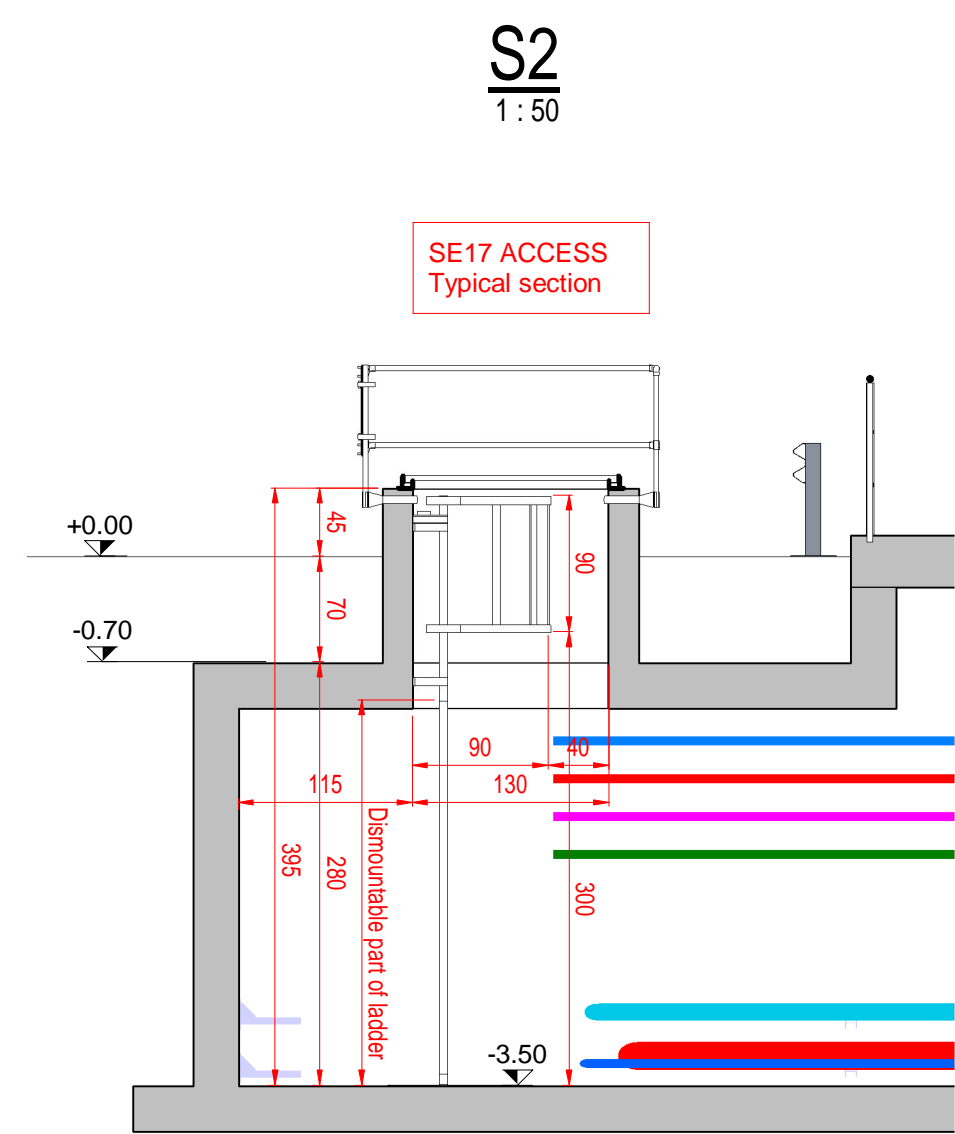
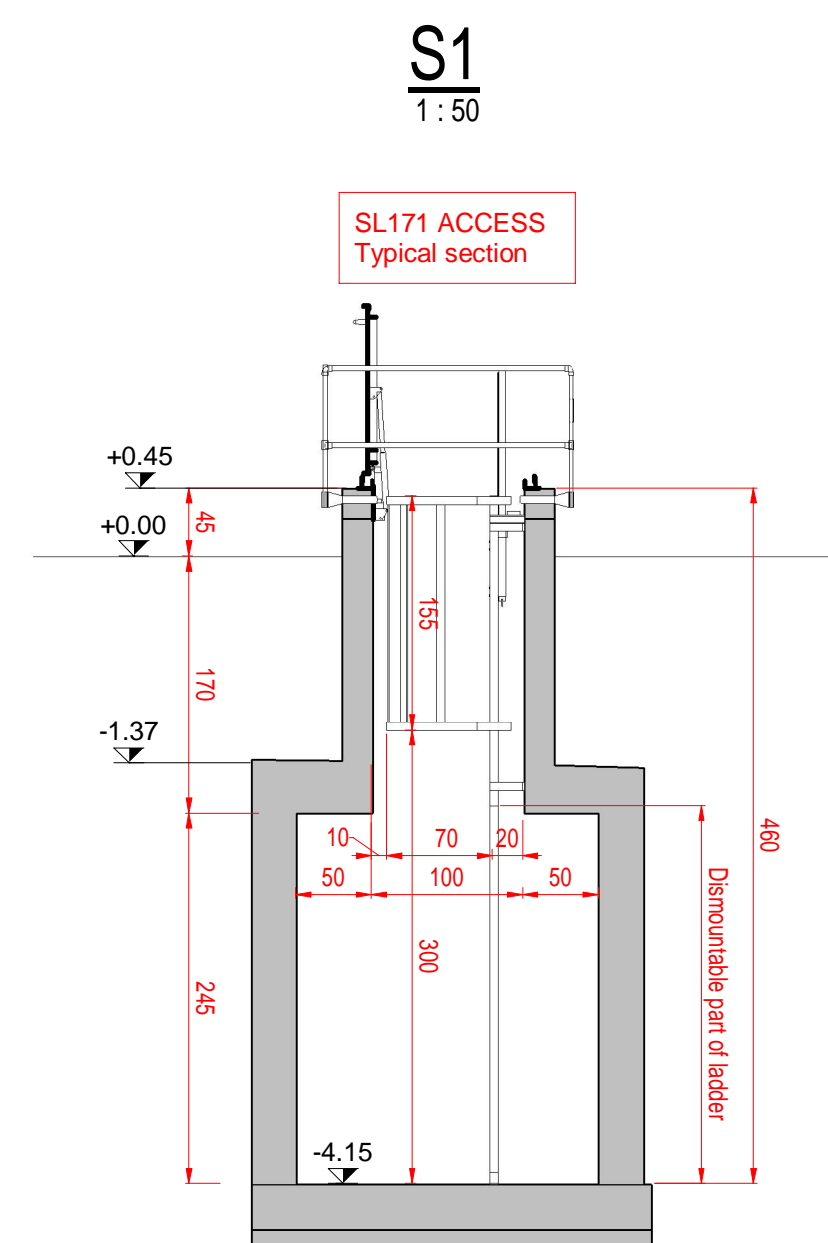
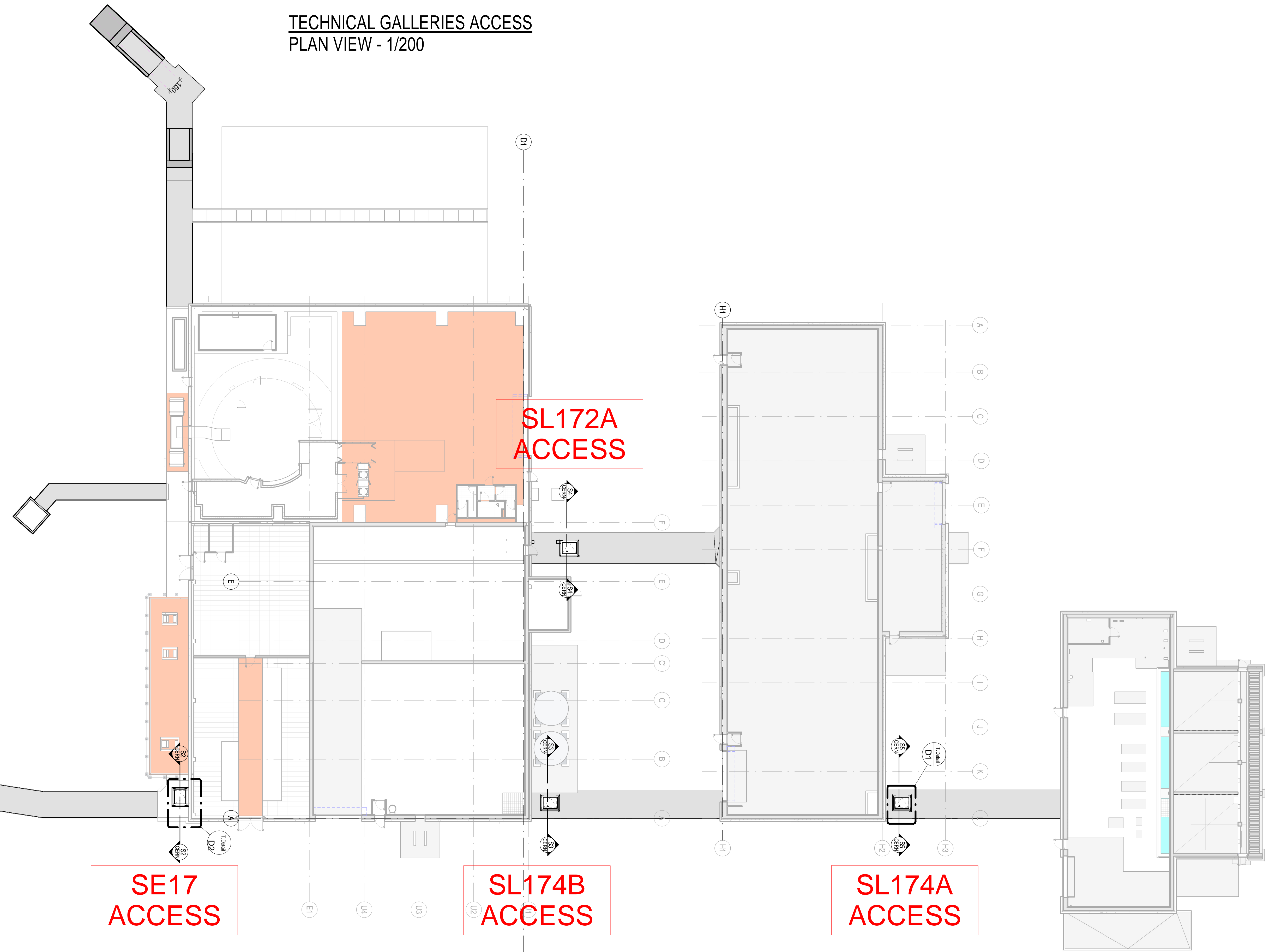
EXAMPLE OF FALL PROTECTION SYSTEM



The safety post is designed to extend above the landing platform to provide safe ladder access through the roof hatch. The spring assisted telescoping design mounts to the top two rungs of the fixed vertical ladder.

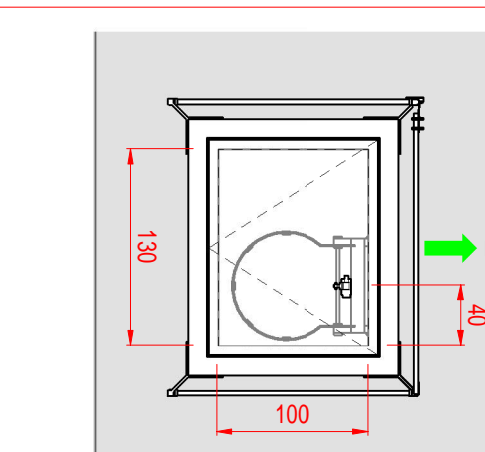
SL171 ACCESS

TECHNICAL GALLERIES ACCESS
PLAN VIEW - 1/200



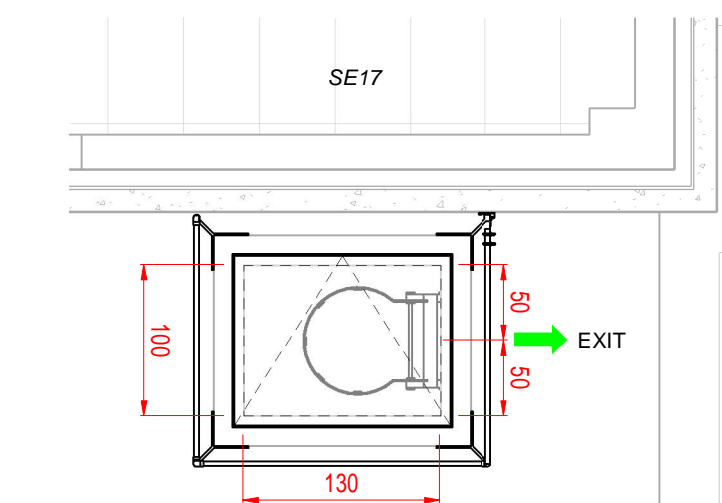
PLAN VIEW - Detail D1
1:50

TYPICAL PLAN VIEW VALID FOR ACCESS SL172A, SL174A, SL174B & SL171



PLAN VIEW - Detail D2
1:50

SE17 ACCESS PLAN VIEW



CONSULTANT REVIT MODEL REFERENCE : SYN-G3161REV-V3.-

ACONEX REF. LHC-CRN-1-DIN-3161-0004 - Rev. -
DISCLAIMER : CERN modifications only reflect the requested geometry and ignore any structural requirements, which are to be defined by the Consultant.

NOTE : ALL PRODUCTS & SYSTEMS SHOWN IN THIS DRAWING ARE CERN PROPOSAL. FINAL PRODUCTS WILL BE DEFINED BY CONTRACTOR WITH CERN APPROVAL.