

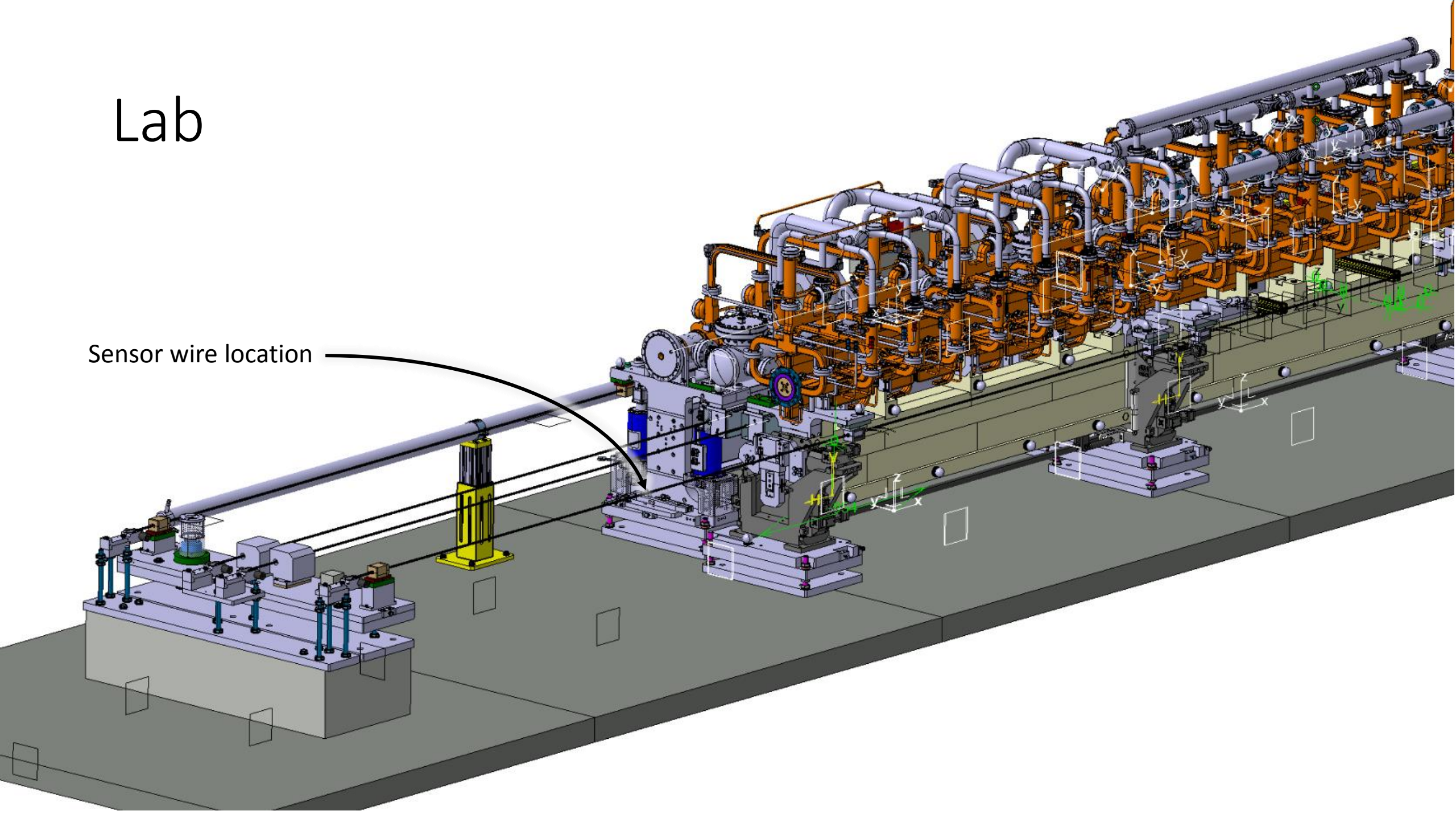
Lab Sensor Wire Location

Matthew Capstick

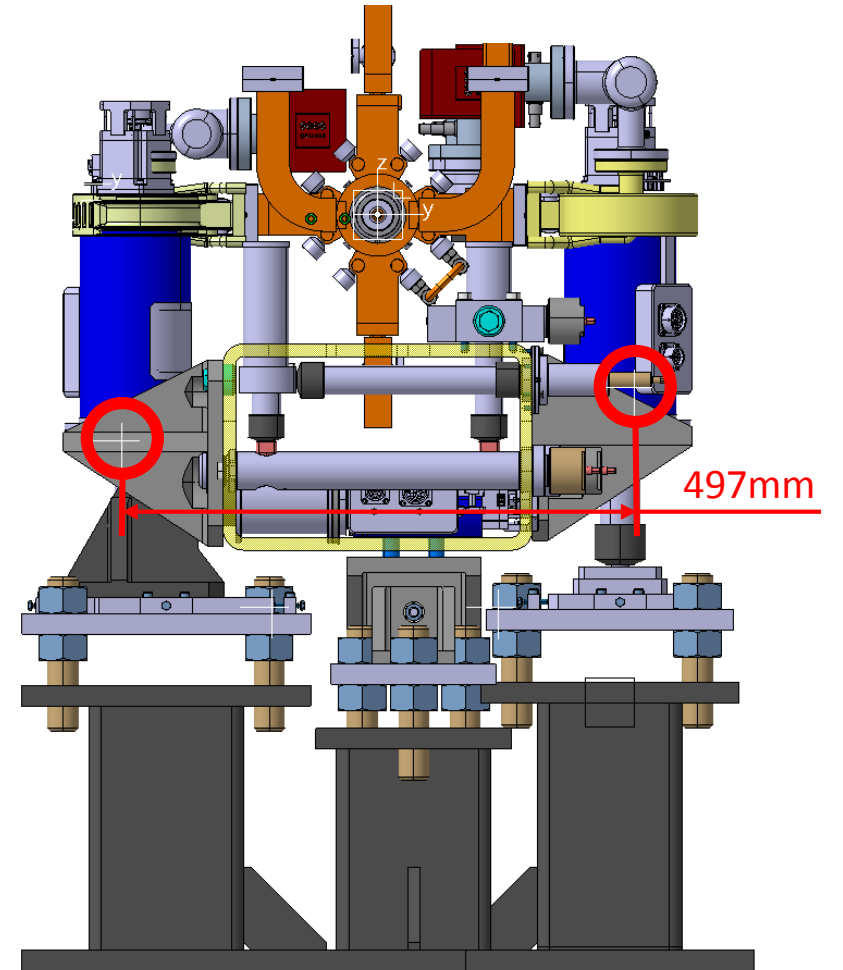
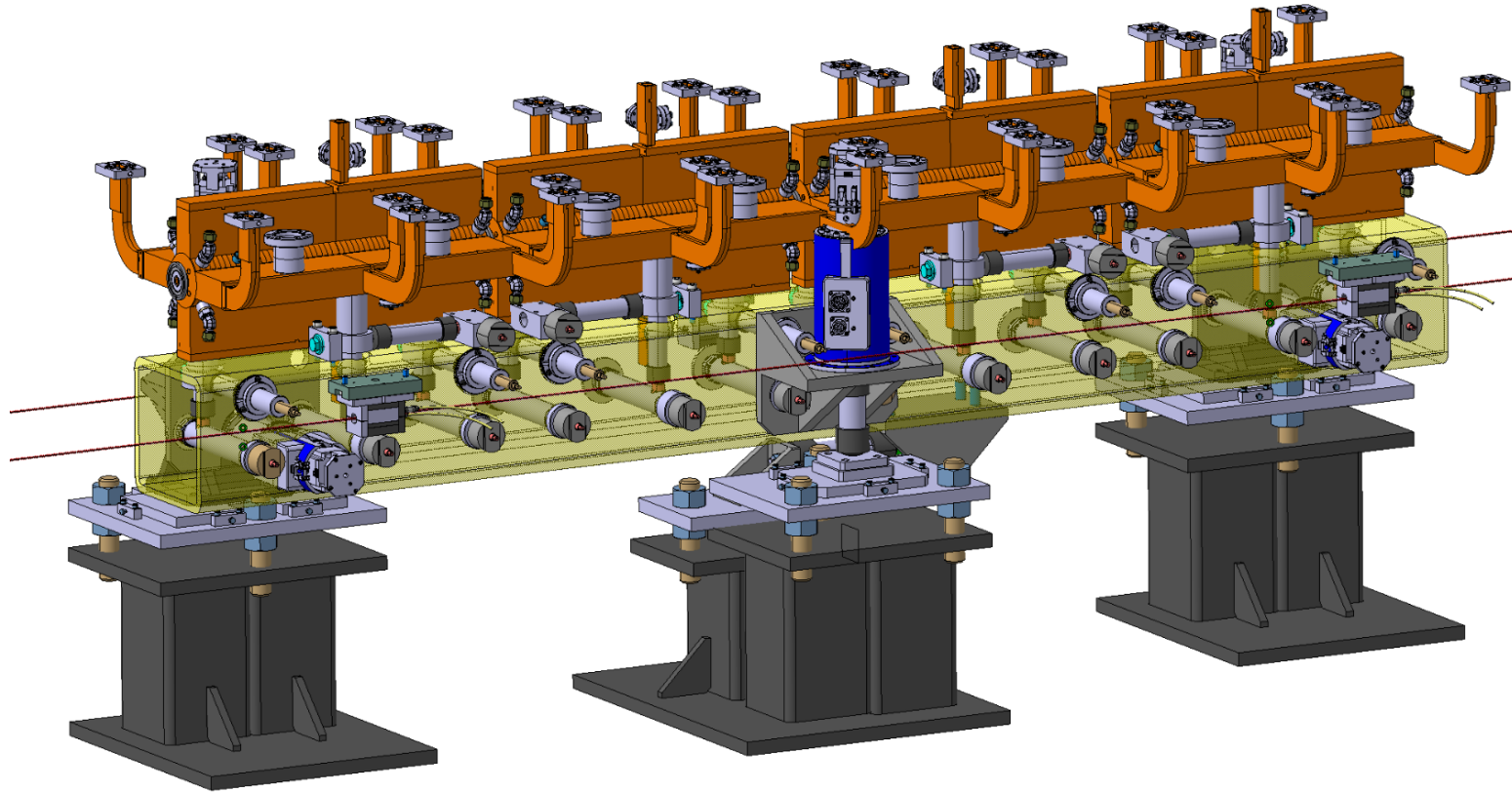
25-11-2020

Lab

Sensor wire location

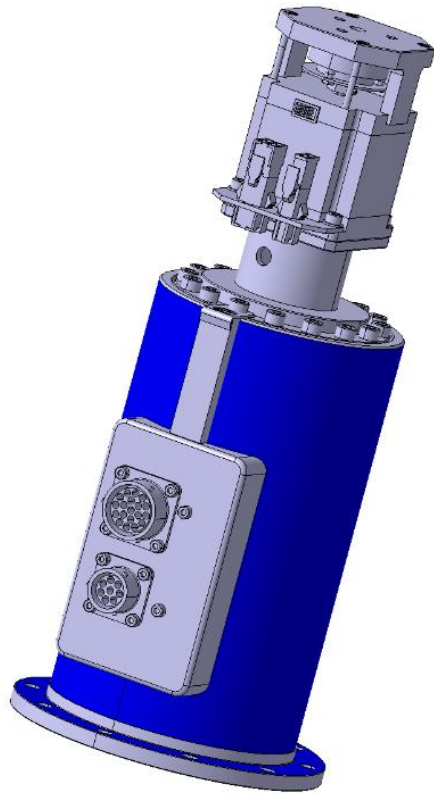


Wire Spacing

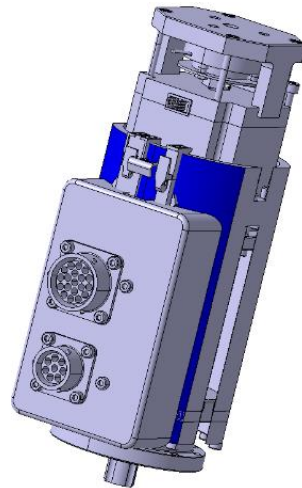


Actuators

Vertical Actuator



Horizontal Actuator



Currently using two different variations (and sizes) of actuators. Need to check:

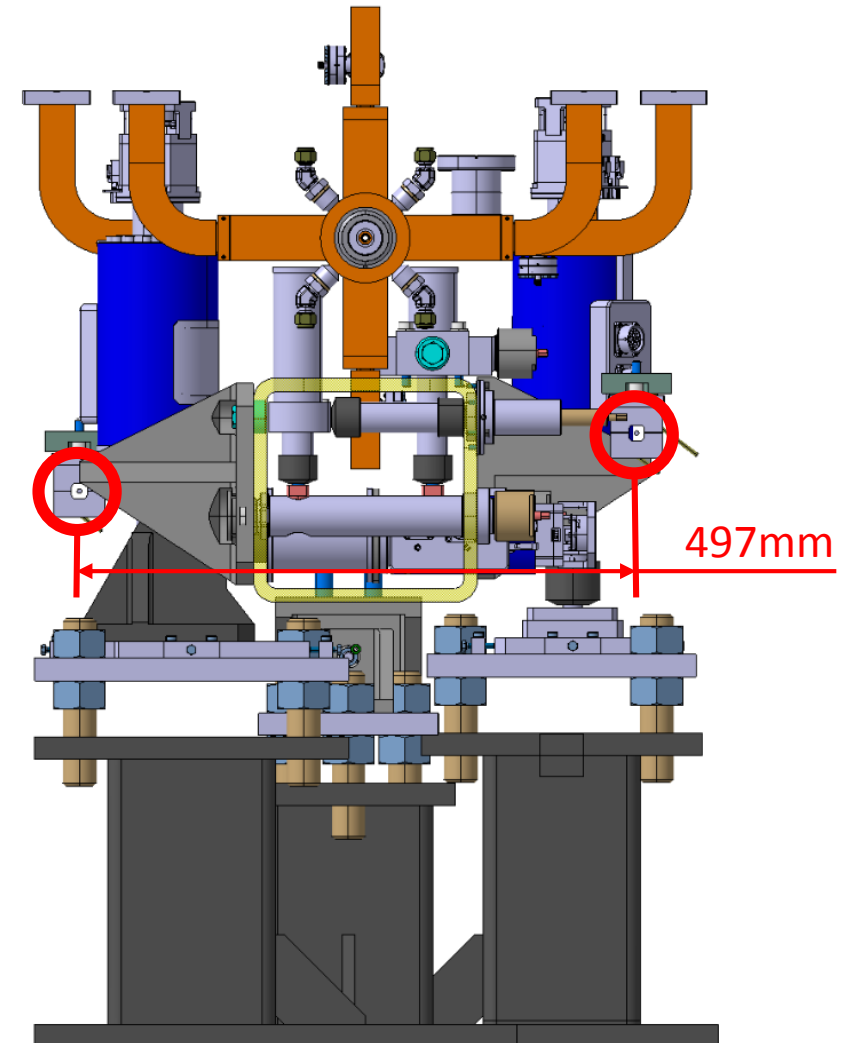
- Rated load for the horizontal actuators.
- Available stock.

Width Variations

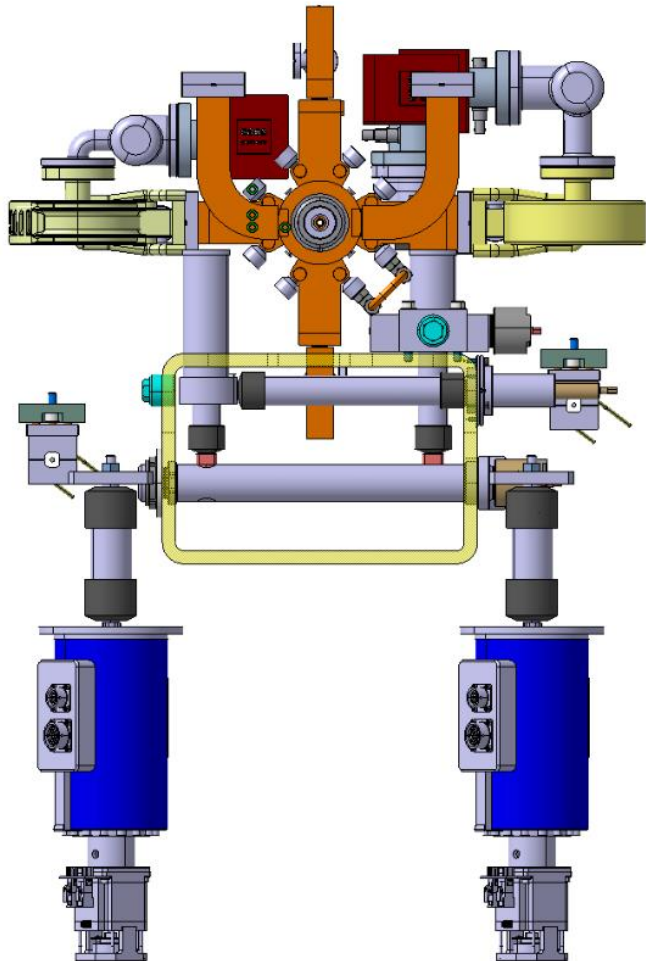
Possible modifications to fit the box-section module within the current lab wire spacing

	Girder Width	Actuator Diameter	Total Width
Wide Girder, Large Actuator	300	140	580
Wide Girder, Small Actuator	300	80	460
Narrow Girder, Large Actuator	200	140	480
Narrow Girder, Small Actuator	200	80	360
<i>Wide Girder, Inverted Actuator</i>	300	65*	430

*actuator not directly next to girder



Alternative: Inverting the actuators



Allows a wider girder and larger vertical actuators.

Frees up space around the structures and adjustment points.

Complicates the base designs.