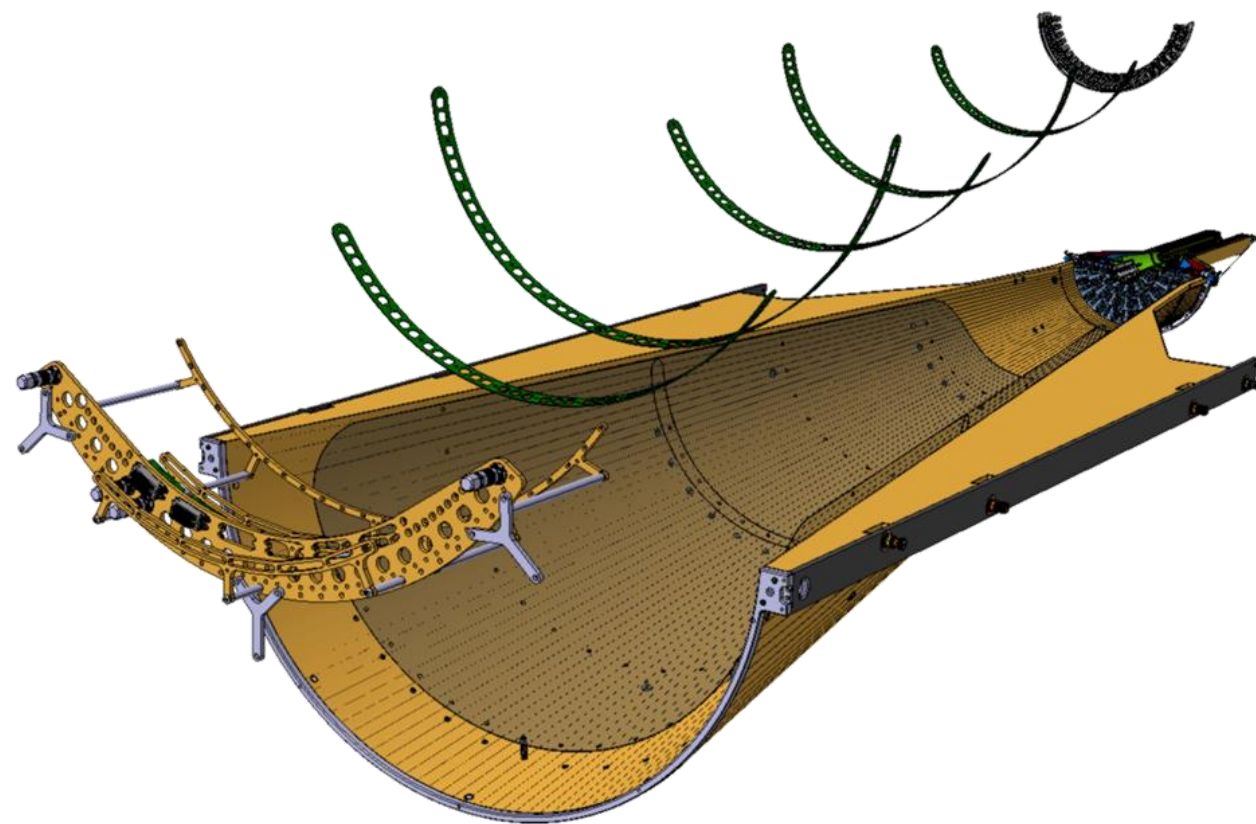


# ITS drawings

## Inner Barrel : Patch panel 2 + cable holders 1 to 6

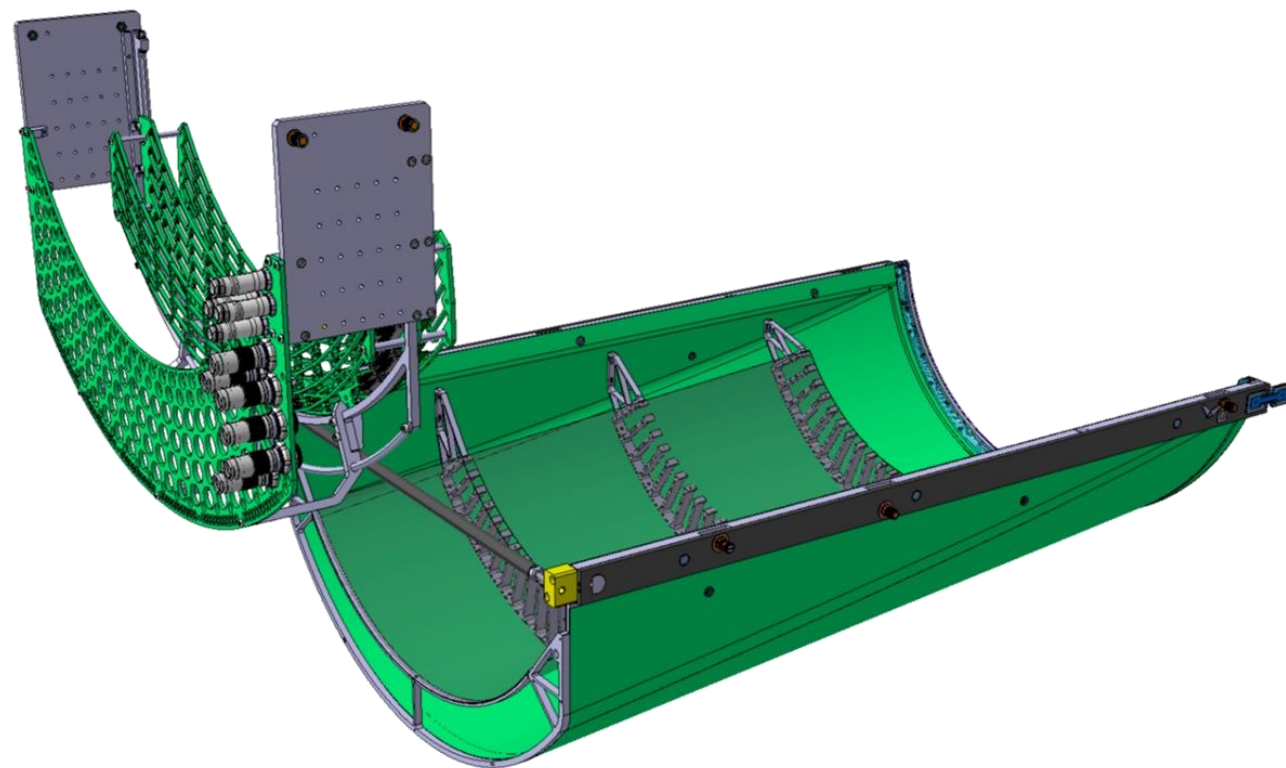
IB- PP2 - patch panel assembly	ALIITSUP0673	
IB- PP2 - patch panel assembly	ALIITSUP0673	
IB- PP2 - link with OB	ALIITSUP0672	Alu EN AW-6082 (T6)
IB- PP2 - link with OB	ALIITSUP0672	
IB- PP2 - spacer 2	ALIITSUP0671	Alu EN AW-6082 (T6)
IB- PP2 - spacer 2	ALIITSUP0671	
IB- PP2 - spacer 3	ALIITSUP0670	Alu EN AW-6082 (T6)
IB- PP2 - spacer 3	ALIITSUP0670	
IB- PP2 - spacer 1	ALIITSUP0669	
IB- PP2 - spacer 1	ALIITSUP0669	Alu EN AW-6082 (T6)
IB- PP2 - cable holder 2	ALIITSUP0668	
IB- PP2 - cable holder 2	ALIITSUP0668	Alu EN AW-6082 (T6)
IB- PP2 - cable holder	ALIITSUP0667	
IB- PP2 - cable holder	ALIITSUP0667	Alu EN AW-6082 (T6)
IB- PP2 - panel	ALIITSUP0666	
IB- PP2 - panel	ALIITSUP0666	Alu EN AW-6082 (T6)
Barrel - cable holder - spacer	ALIITSUP0695	Polyether ether ketone (PEEK)
Barrel - cable holder - spacer	ALIITSUP0695	
IB- SB - cable holder 1	ALIITSUP0694	Accura® 25
IB- SB - cable holder 1	ALIITSUP0694	
IB- SB - cable holder 6	ALIITSUP0693	
IB- SB - cable holder 6	ALIITSUP0693	VETRONIT® EP GC 201
IB- SB - cable holder 5	ALIITSUP0692	
IB- SB - cable holder 5	ALIITSUP0692	VETRONIT® EP GC 201
IB- SB - cable holder 4	ALIITSUP0691	
IB- SB - cable holder 4	ALIITSUP0691	VETRONIT® EP GC 201
IB- SB - cable holder 3	ALIITSUP0690	
IB- SB - cable holder 3	ALIITSUP0690	VETRONIT® EP GC 201
IB- SB - cable holder 2	ALIITSUP0689	
IB- SB - cable holder 2	ALIITSUP0689	VETRONIT® EP GC 201



# ITS drawings

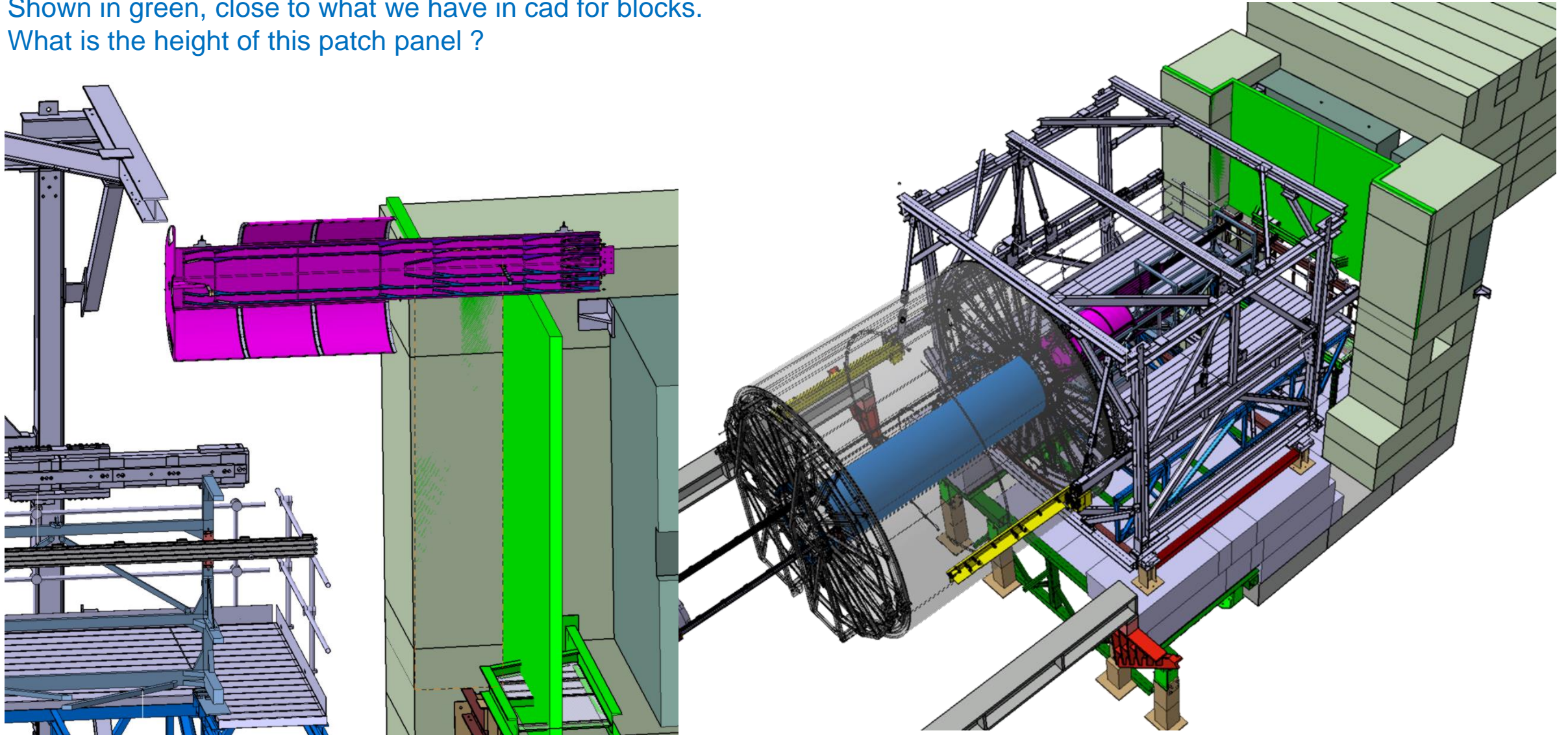
## Outer Barrel : Patch panel 2

OB- PP2 - patch panel assembly	ALIITSUP0688	
OB- PP2 - patch panel assembly	ALIITSUP0688	
OB- PP2 - roller	ALIITSUP0687	Alu EN AW-6082 (T6)
OB- PP2 - roller	ALIITSUP0687	
OB- PP2 - closing wire	ALIITSUP0686	Aluminum
OB- PP2 - closing wire	ALIITSUP0686	
OB- PP2 - lift screw	ALIITSUP0685	Stainless Steel
OB- PP2 - lift screw	ALIITSUP0685	
OB- PP2 - lift bolt	ALIITSUP0684	Brass
OB- PP2 - lift bolt	ALIITSUP0684	
OB- PP2 - arch rib corner	ALIITSUP0683	Alu EN AW-6082 (T6)
OB- PP2 - arch rib corner	ALIITSUP0683	
OB- PP2 - lift holder	ALIITSUP0682	
OB- PP2 - lift holder	ALIITSUP0682	Alu EN AW-6082 (T6)
OB- PP2 - corner	ALIITSUP0681	
OB- PP2 - corner	ALIITSUP0681	Alu EN AW-6082 (T6)
OB- PP2 - arch	ALIITSUP0680	
OB- PP2 - arch	ALIITSUP0680	Alu EN AW-6082 (T6)
OB- PP2 - arch rib	ALIITSUP0679	
OB- PP2 - arch rib	ALIITSUP0679	Alu EN AW-6082 (T6)
OB- PP2 - side plate sym	ALIITSUP0678	
OB- PP2 - side plate sym	ALIITSUP0678	Alu EN AW-6082 (T6)
OB- PP2 - side plate	ALIITSUP0677	
OB- PP2 - side plate	ALIITSUP0677	Alu EN AW-6082 (T6)
OB- PP2 - data cable holder	ALIITSUP0676	
OB- PP2 - data cable holder	ALIITSUP0676	Alu EN AW-6082 (T6)
OB- PP2 - data panel	ALIITSUP0675	
OB- PP2 - data panel	ALIITSUP0675	Alu EN AW-6082 (T6)
OB- PP2 - power panel	ALIITSUP0674	
OB- PP2 - power panel	ALIITSUP0674	Alu EN AW-6082 (T6)



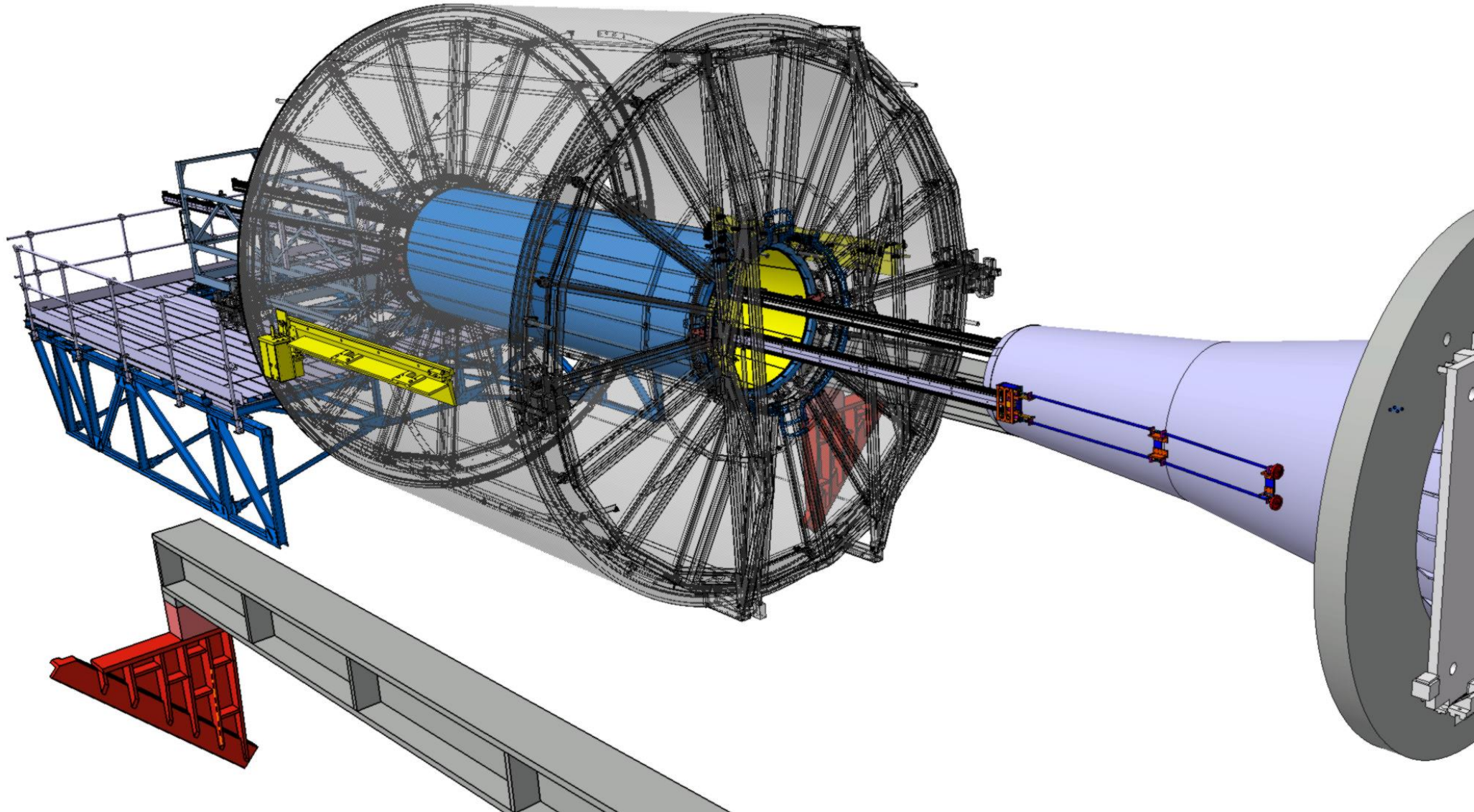
# ITS Installation

**Room for cage lowering :** Yannick measured 17m from absorber flange to Patch panel (?) and 16.3m to concrete blocks  
Shown in green, close to what we have in cad for blocks.  
What is the height of this patch panel ?



# ITS Installation

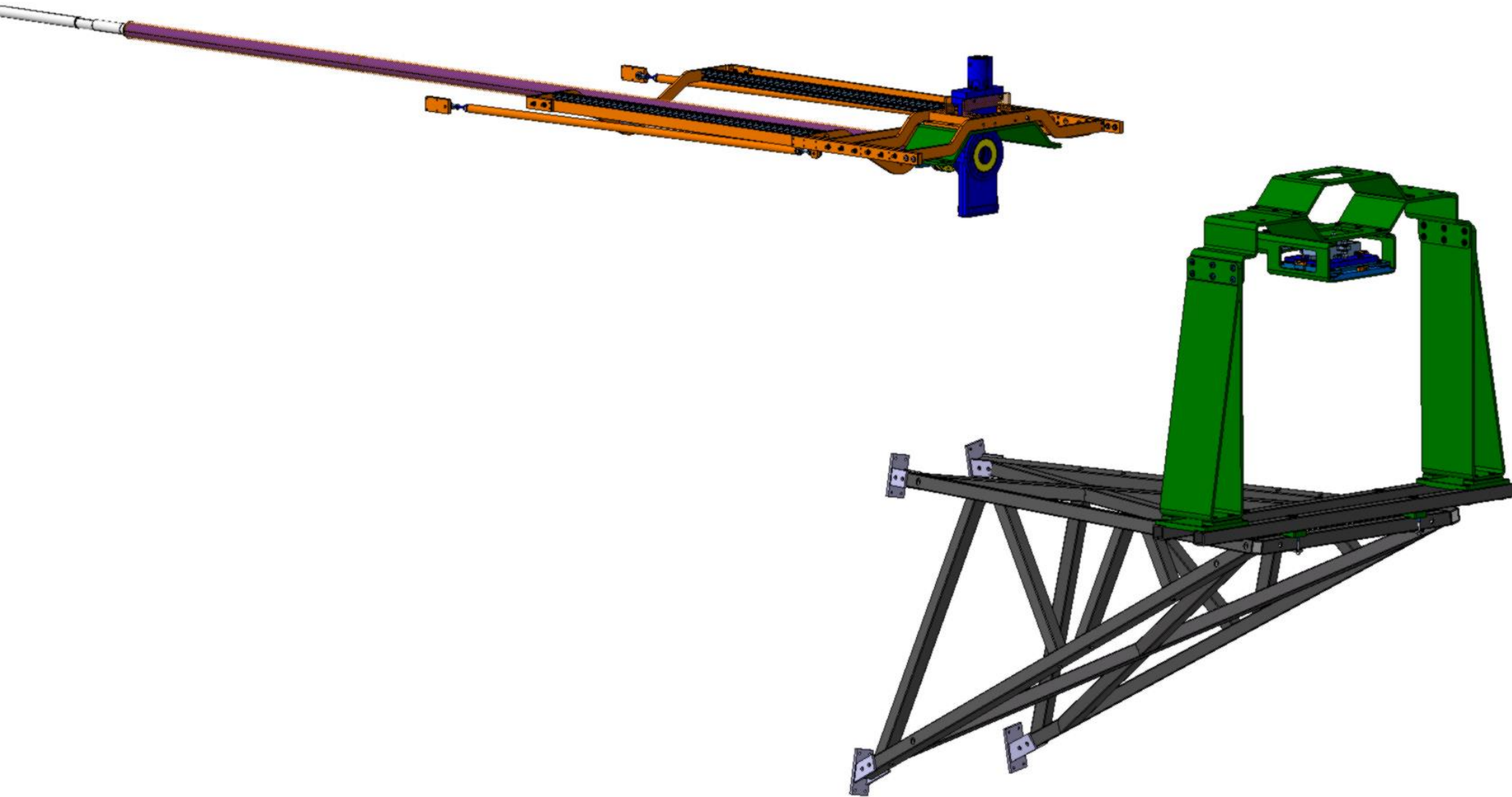
Antonio asked if we have TPC I bars on C side



# ITS Installation

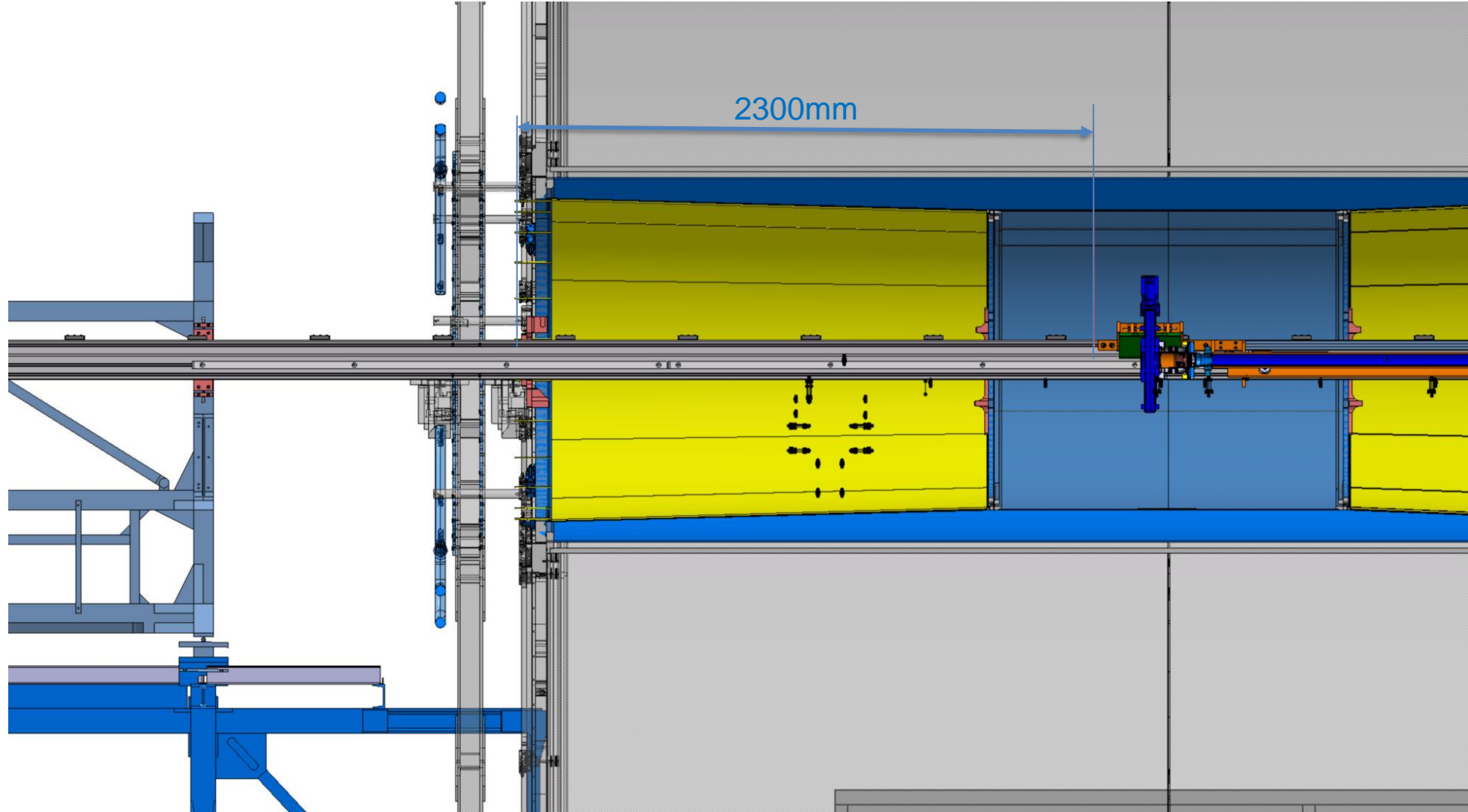
**Beam pipe** : cad assembly modified to match installation process,  
beam pipe + valve + trolley

valve support + adjustable plate



# ITS Installation

**Beam pipe** : move BP trolley brake outside TPC, more than 2m long, shall i look for a design ?



# ITS Installation

**Temporary rails :** assembly splitted in 3 sections

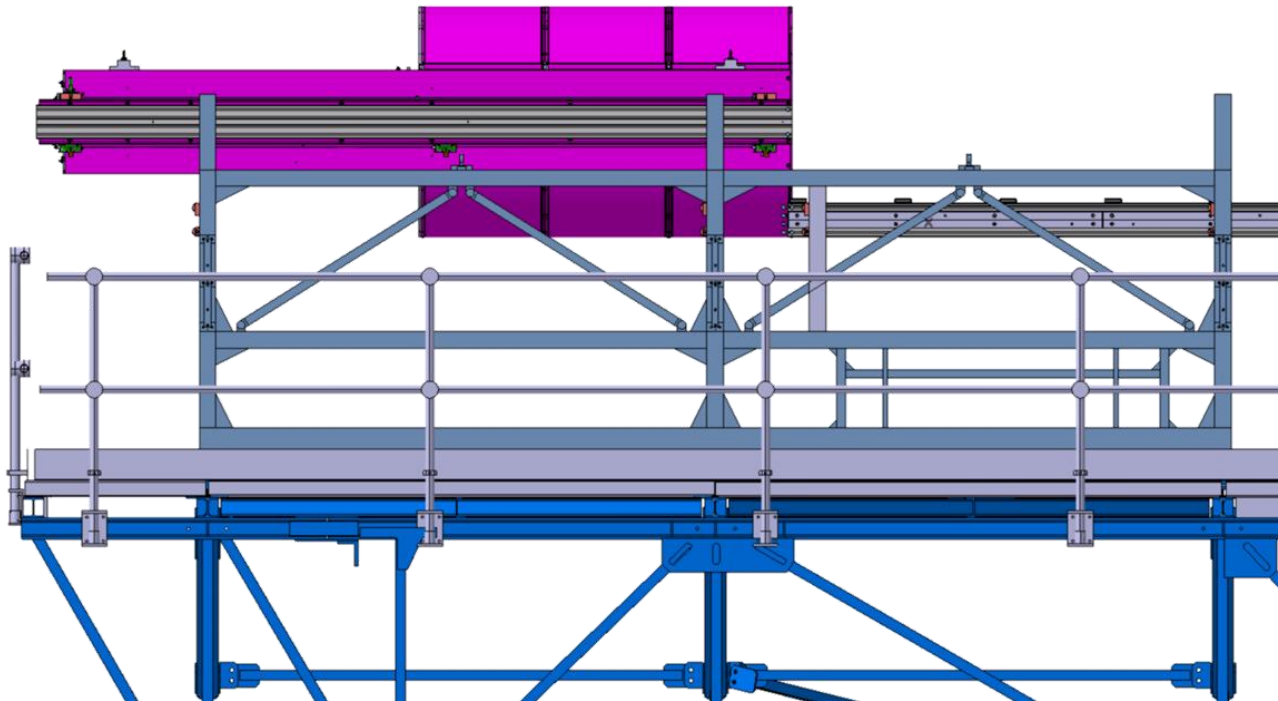
3.6m

6m

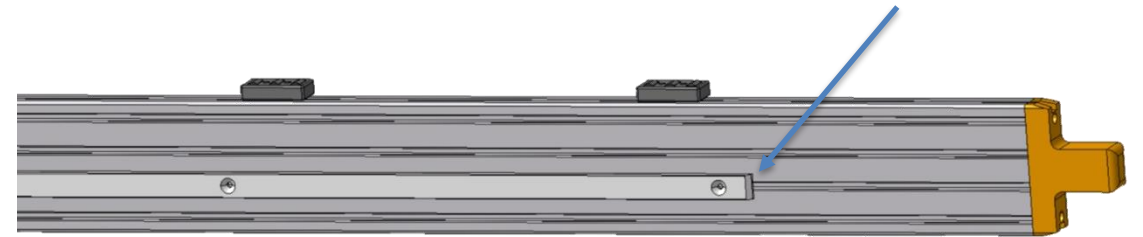
6m



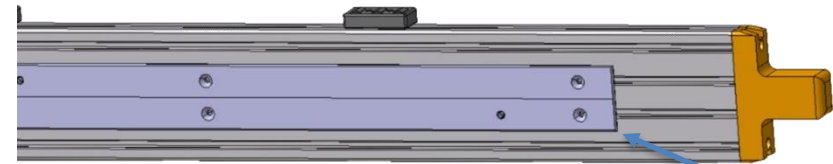
End of 12m to hand rail = cage = 3.6m



350mm free for absorber

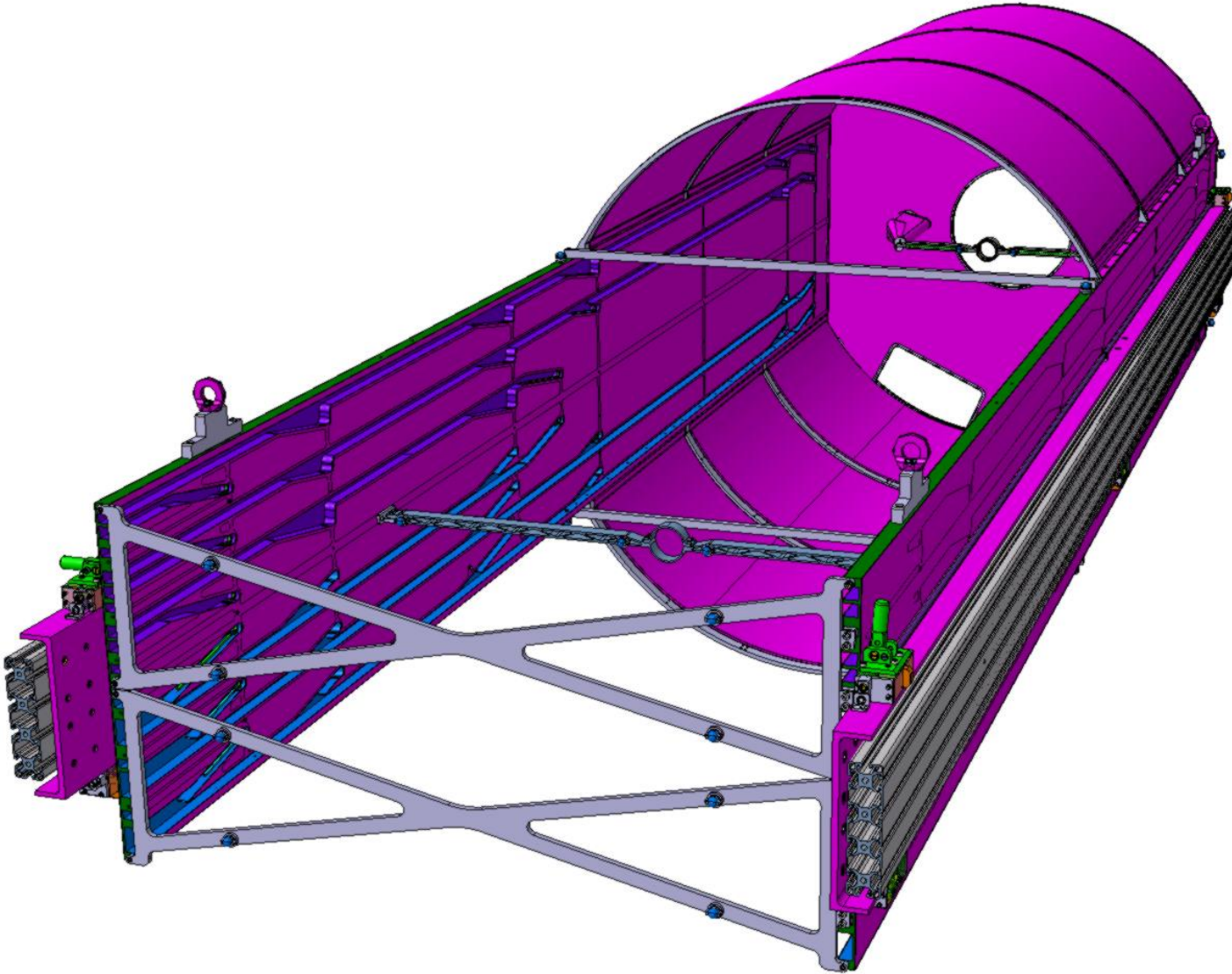


150mm free to release C side brackets



# ITS Installation

**cage lowering** : last temp rails section holded in C beam, ST1311703\_01 design ongoing





# ITS Installation

Inner Barrel chassis : ST1305587\_01 design ongoing

