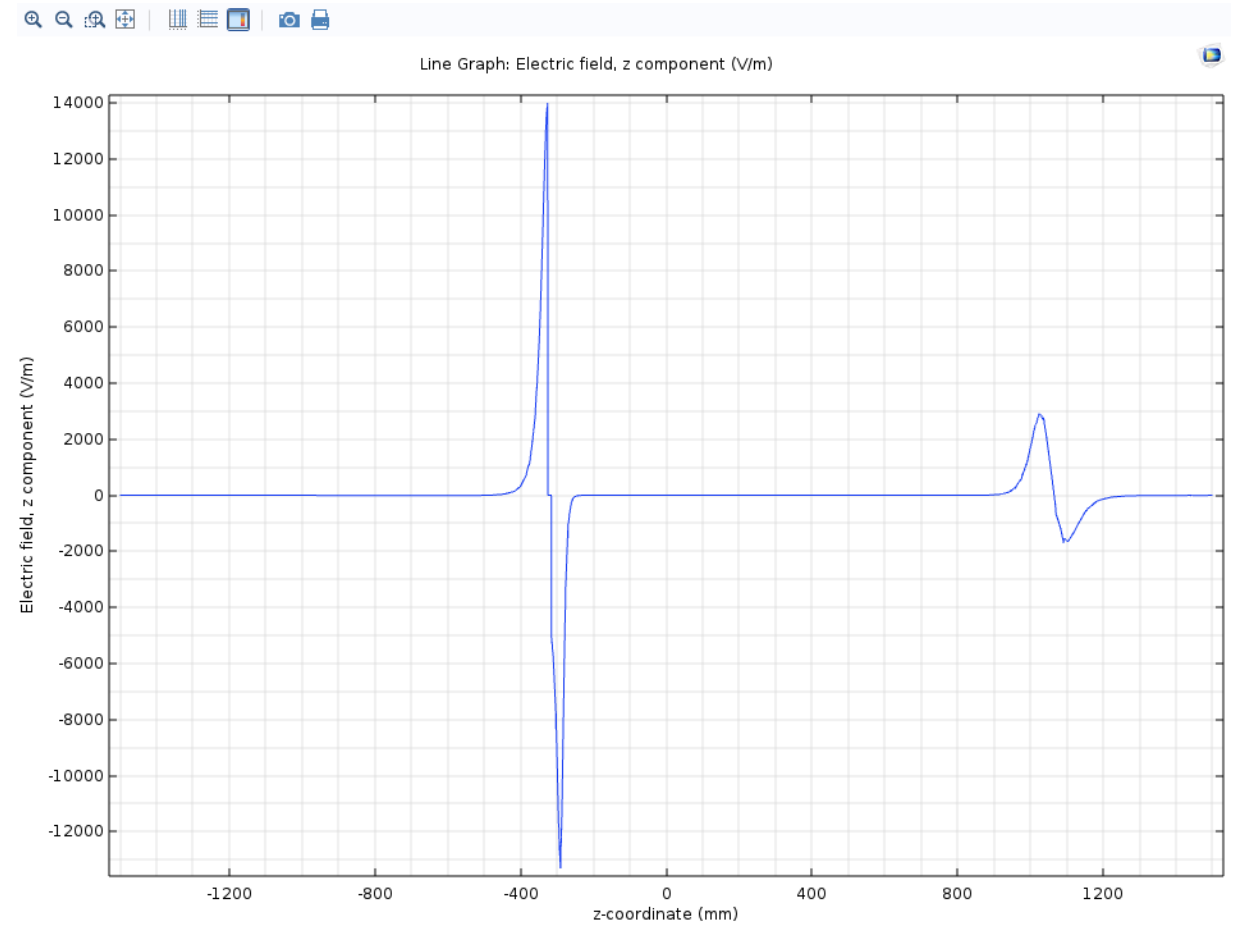
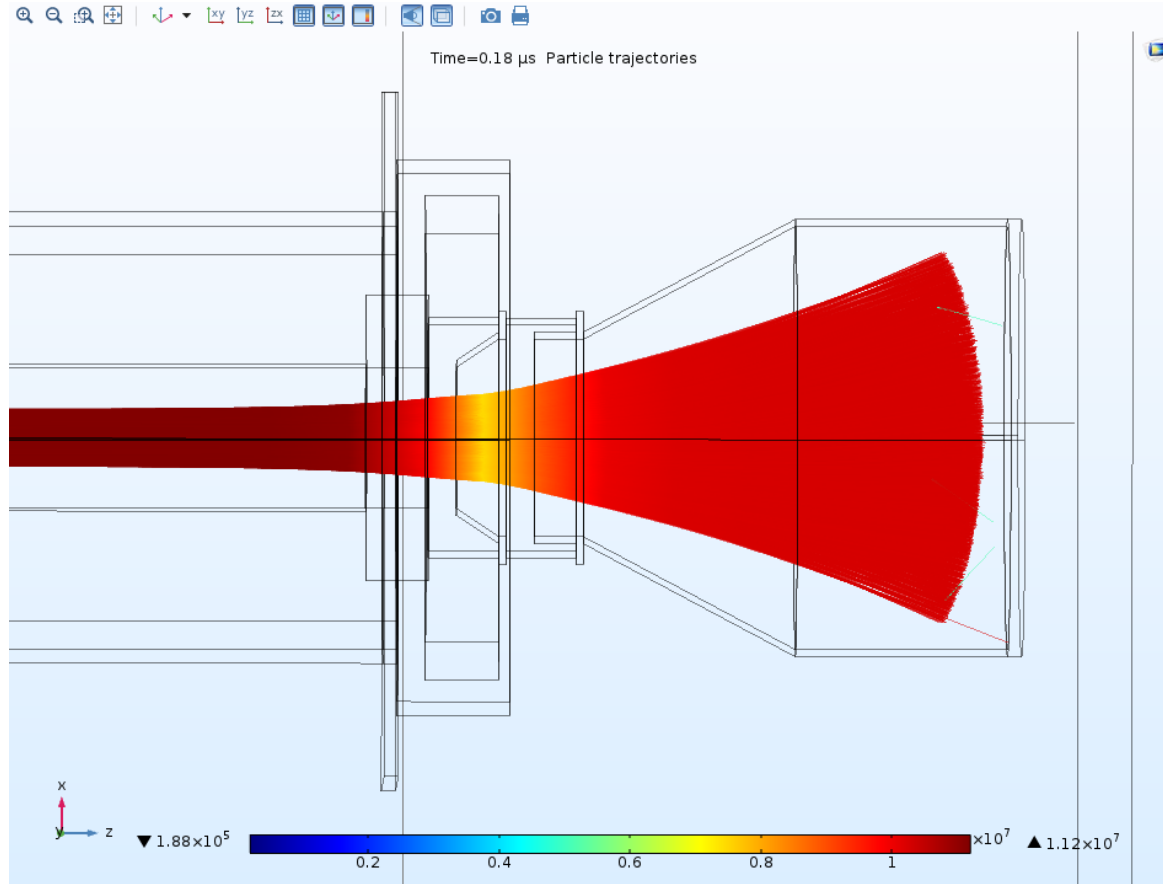


ELENA ecool settings 2018/19

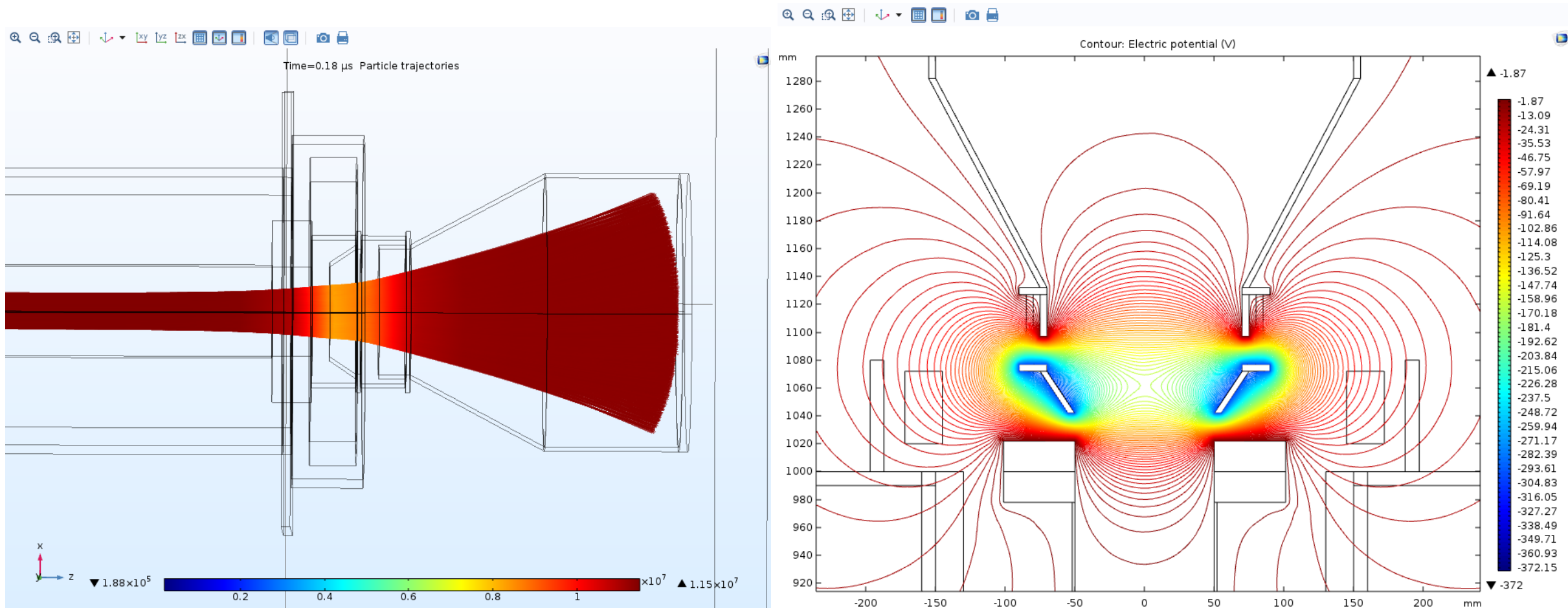
26/06/2018	07/11/2018	04/10/2019	29/10/2019	29/10/2019	31/10/2019	31/10/2019	11/11/2019	11/11/2019	11/11/2019	11/11/2019	11/11/2019	12/11/2019	12/11/2019	14/11/2019	15/11/2019	18/11/2019	25/11/2019
90	90	90	90	50	50	50	50	50	50	50	50	50	90	90	90	90	90
28	28	28	28	22	28	28	28	28	28	28	28	28	28	28	28	28	28
40	40	40	40	40	40	40	40	40	40	40	40	40	40	40	40	40	40
-5.6	-5.6	-5.6	-5.6	-5.6	-5.6	-5.6	-5.6	-5.6	-5.6	-5.6	-9	-9	-17	-18	-23	-23	-23
Magnets: expansion, toroid, drift, squeeze																	
-355	-374	-374	-374	-374	-374	-250	-330	-355	-374.4	-374.4	-374.4	-374.4	-374.4	-374.4	-374.4	-374.4	-374.4
-276	-300	-300	-299	-299	-370	-240	-330	-348	-372	-316	-299	-297	-297	-297	-299	-300	-300
-290	-300	-300	-365	-365	-365	-275	-375	-400	-450	-450	-450	-450	-450	-450	-450	-450	-450
-55	-7	-7	-300	-300	-300	-200	-280	-290	-245	-245	-225	-233	-233	-233	-233	-233	-233
HT: cathode, grid, repeller, collector @ 355 eV																	
-55	-60.6	-60.6	-60.6	-60.6	-60.6	-60.6	-60.6	-60.6	-60.6	-60.6	-60.6	-60.6	-60.6	-60.6	-60.6	-60.6	-60.6
-25	-31	-31	-30	-30	-30	-30	-30	-30	-30	-30	-30	-30	-30	-30	-30	-30	-30
-20	-20	-20	-45	-45	-10	-10	-10	-10	-10	-10	-10	-10	-10	0	-60	-50	-50
-15	-15	-15	-15	-15	-10	-10	-10	-10	-10	-10	-10	-10	-10	0	-15	-15	-15

HT: cathode, grid, repeller, collector @ 55 eV

26th June 2018

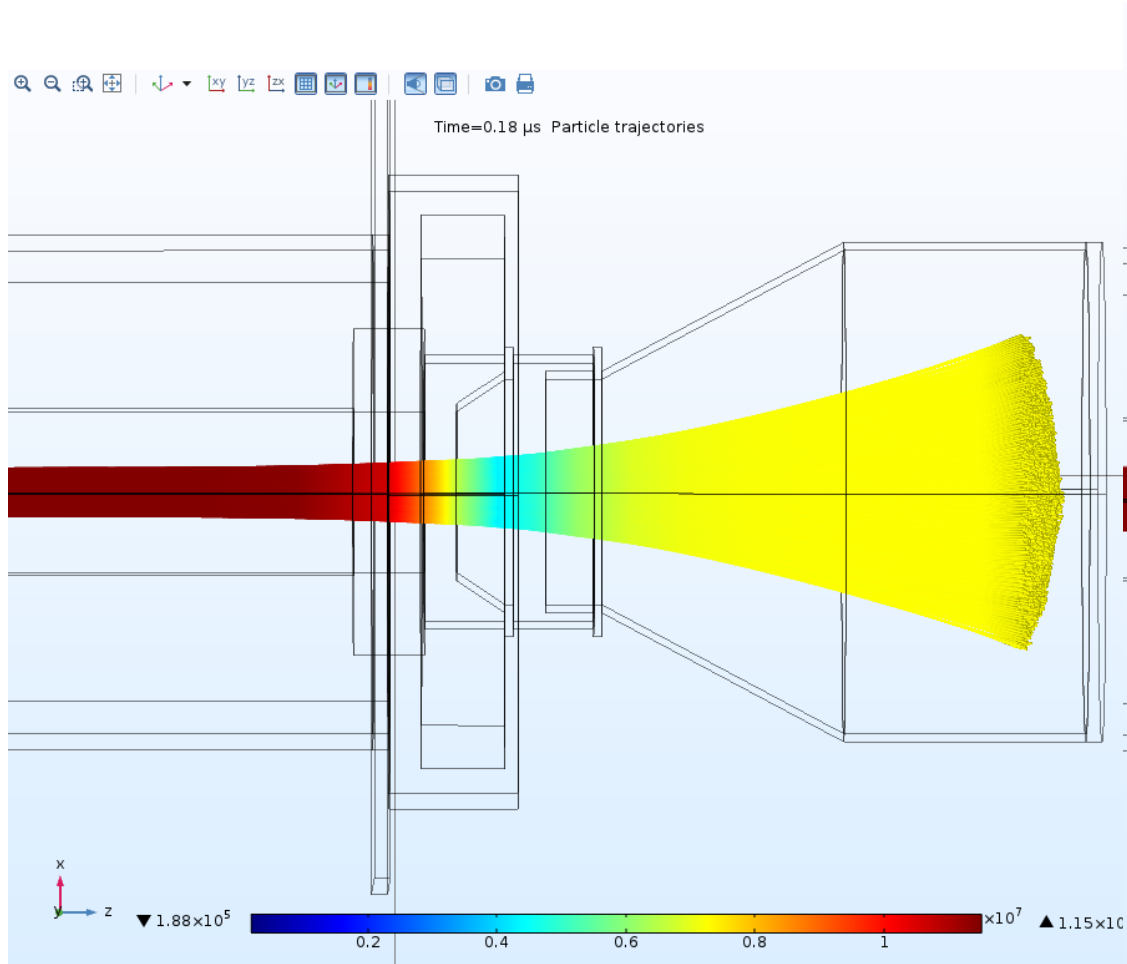


7th November 2018

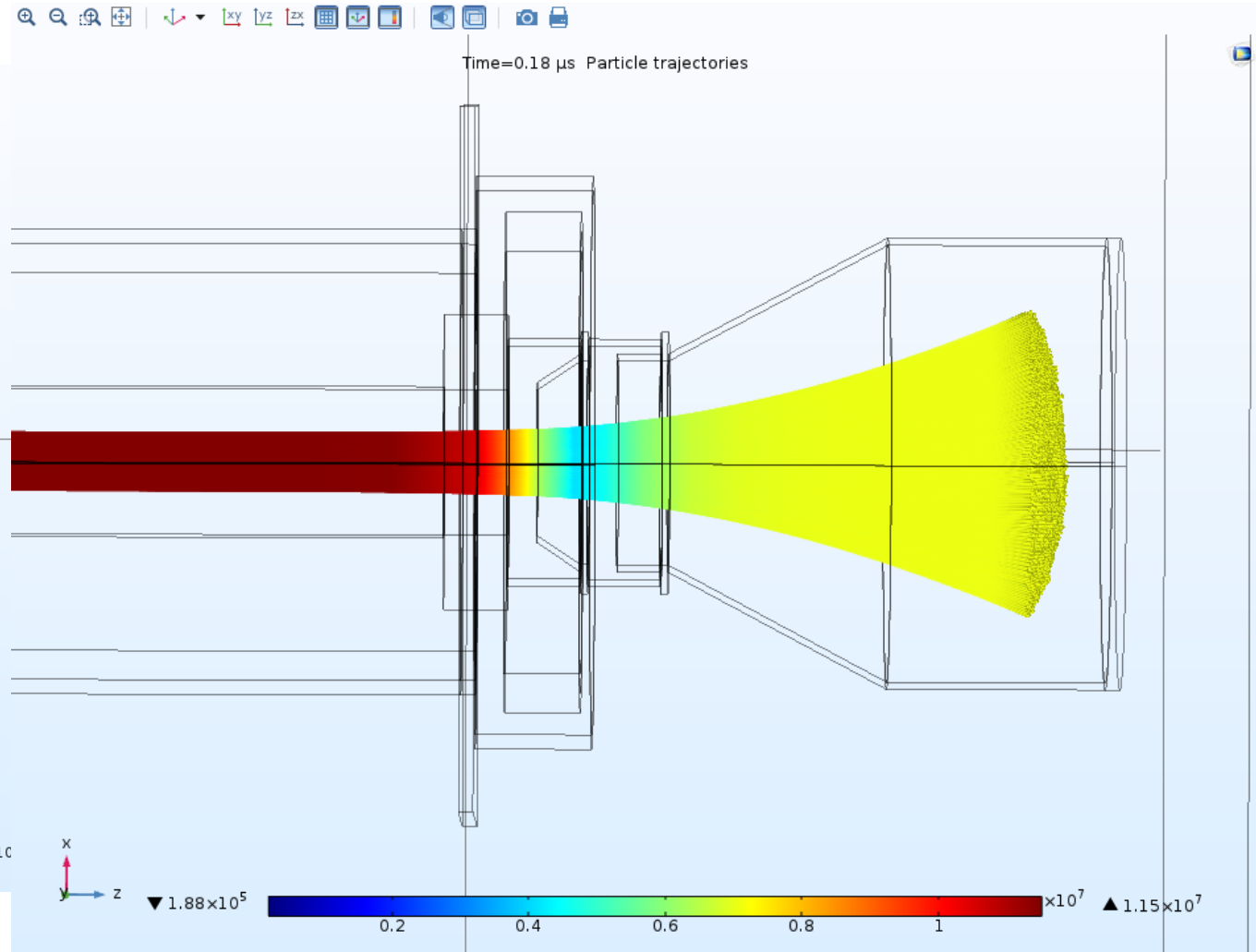


Note: electron beam energy on the collector is around 300 eV!!!!!!

12th November 2019



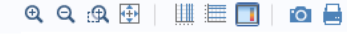
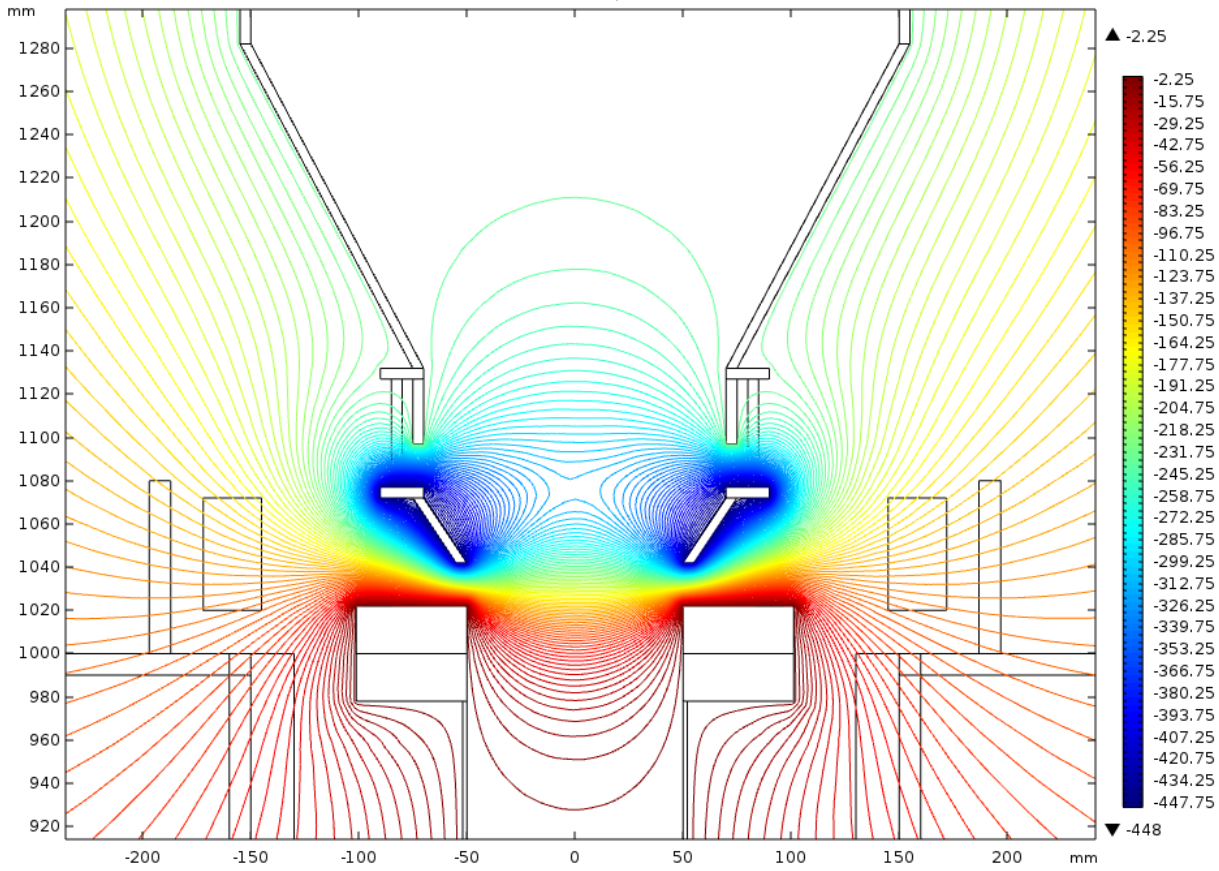
$I_{exp} = 50$ A



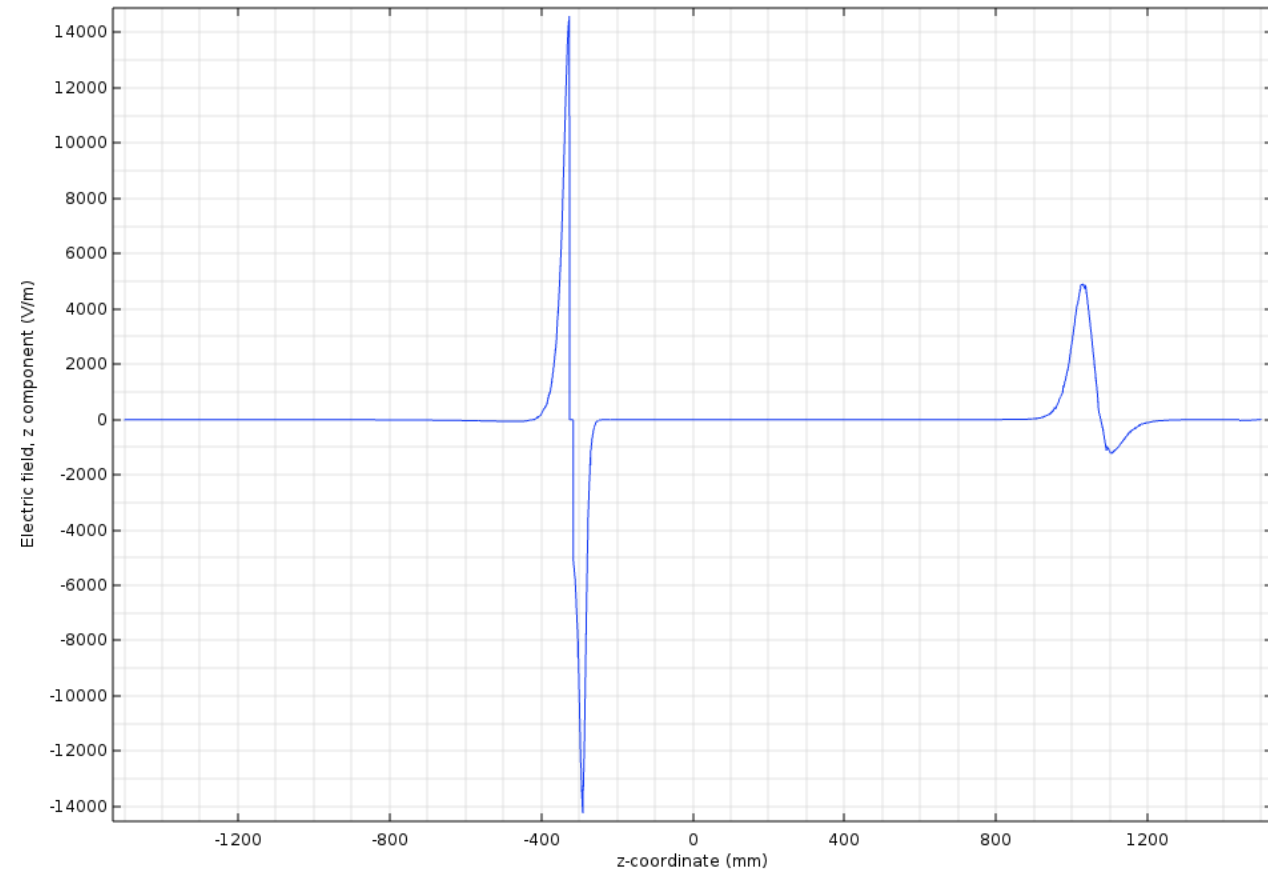
$I_{exp} = 90$ A



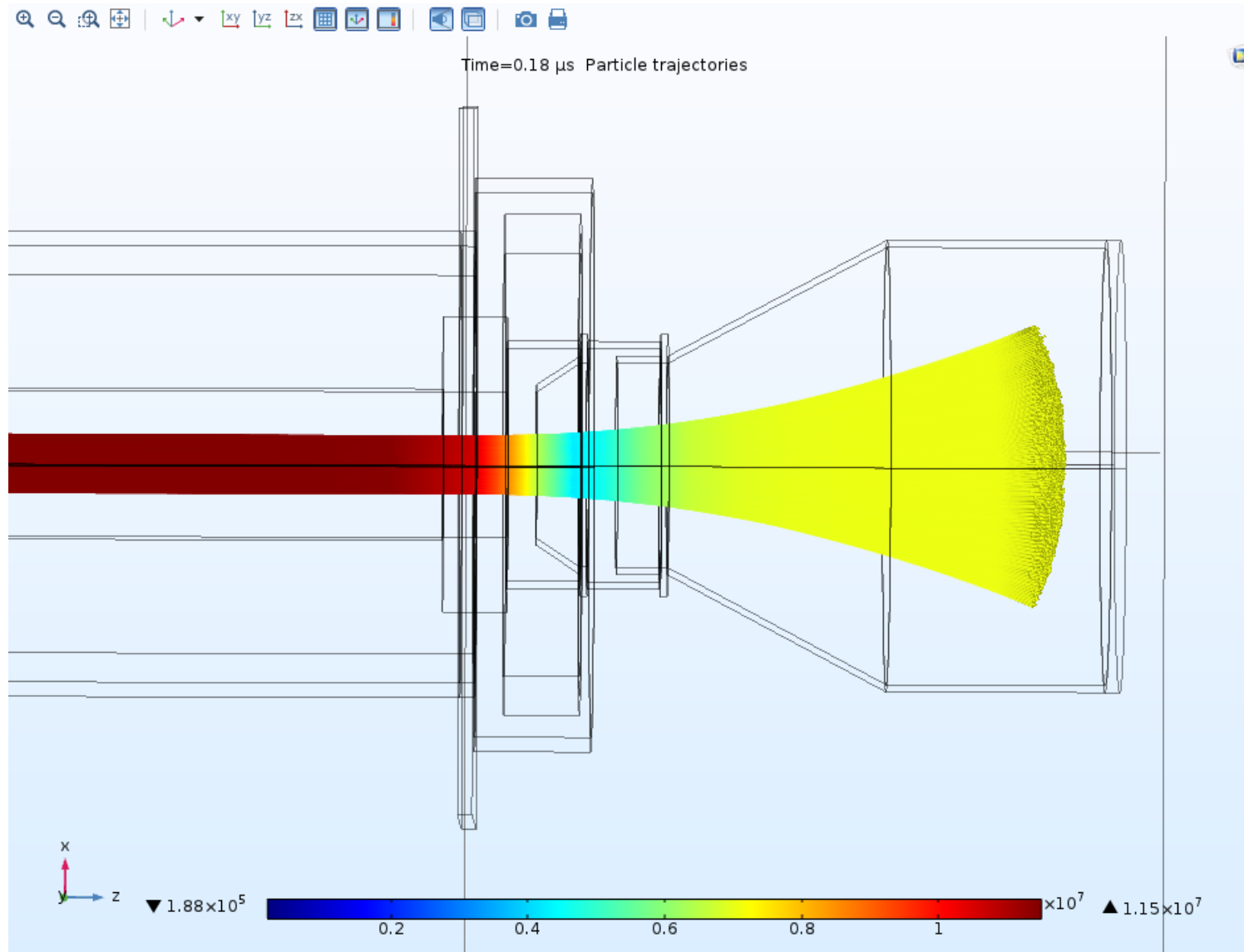
Contour: Electric potential (V)

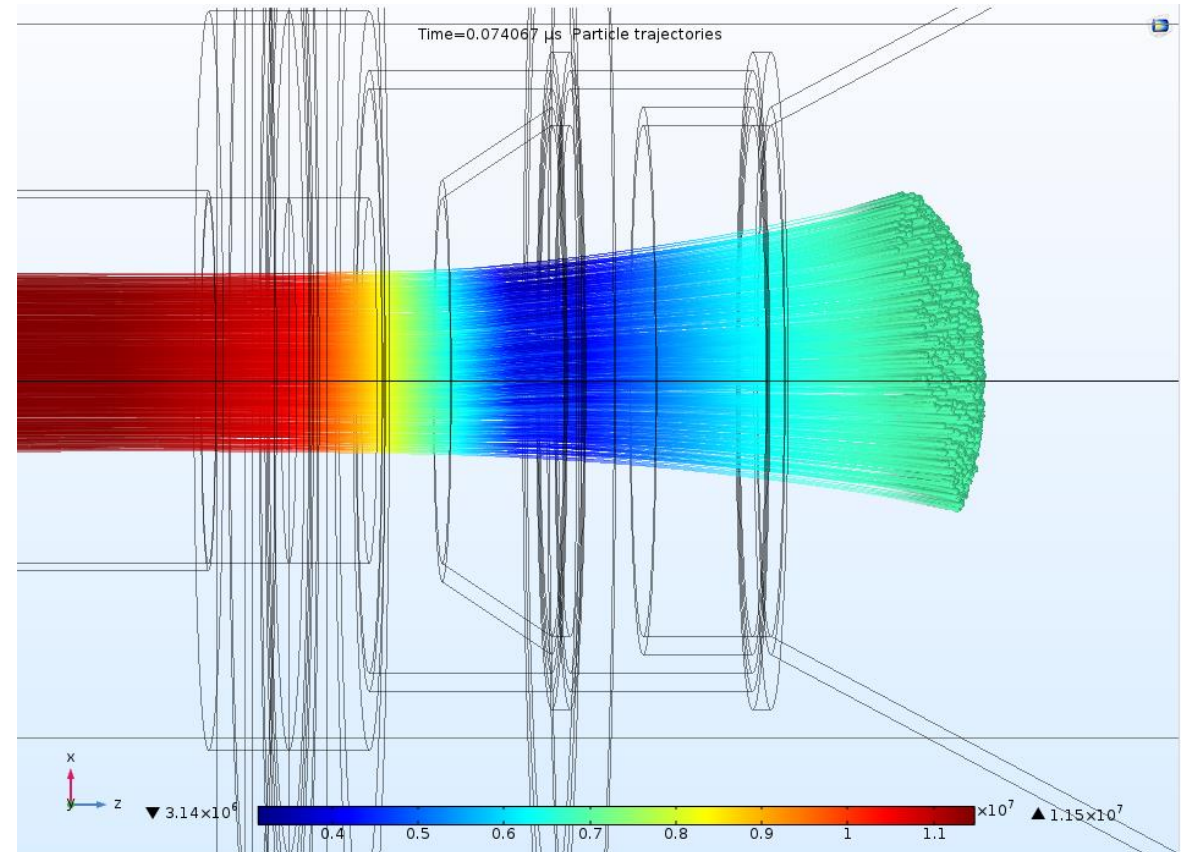
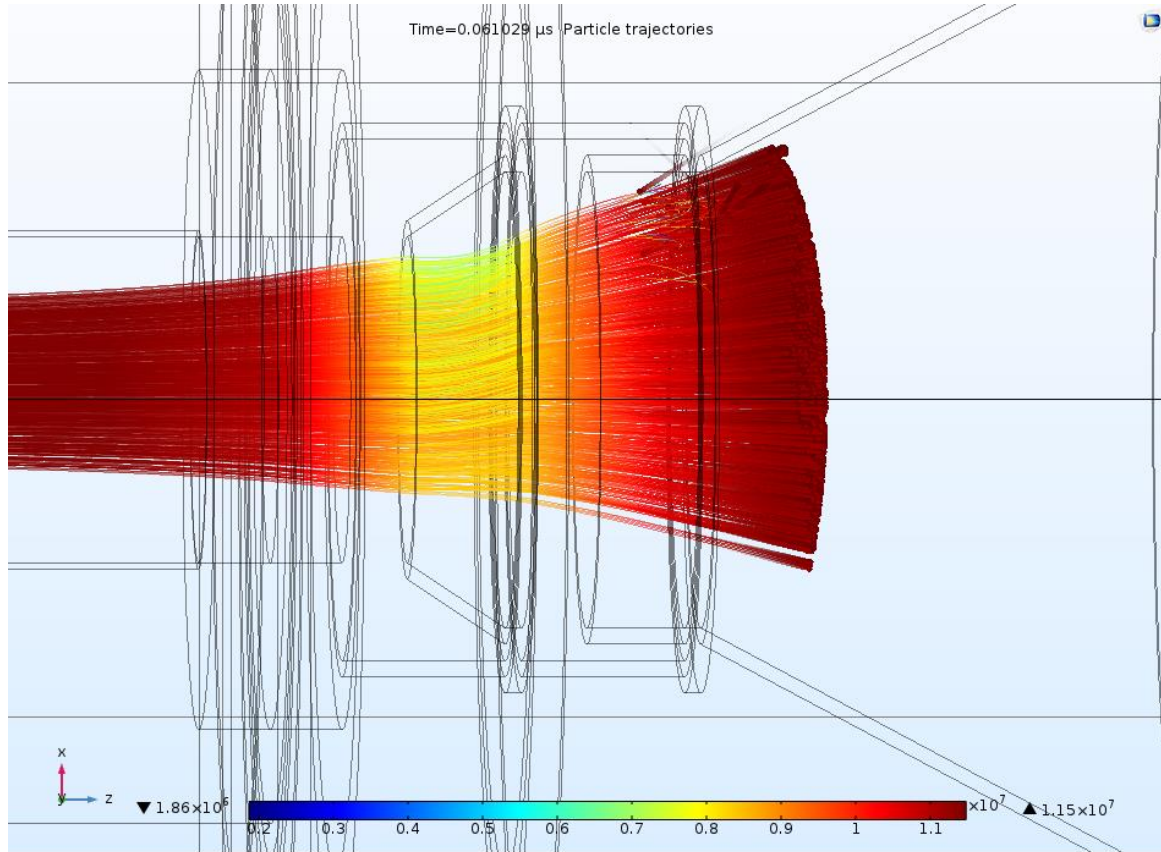


Line Graph: Electric field, z component (V/m)



25th November 2019





5mm vertical displacement and 1mrad angular deflection