



DFH Design Detail Review

Status of CAD drawings

R. Betemps; F. Pillon; D. Ochoa; P. Schneider; E. Gonzalez;
I. Alonso



3D design Status

- 3 D model of the chamber helium and Vacuum 90 % done :

Open points :

- Fixation of the vacuum chambers
- Small details on the helium chambers

- 3 D model of the frame: 50 % done

Open points :

- Sliding system
- Fixation of the vacuum chambers
- Check the structure and interface points for transport

2D design Status detail drawings

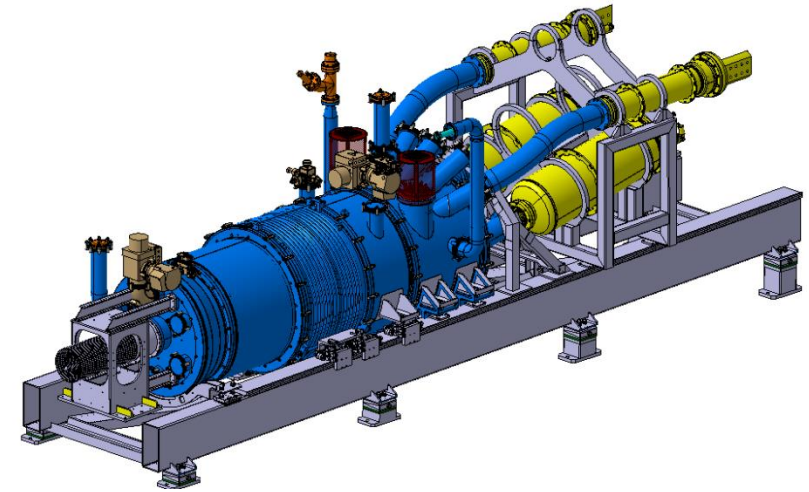
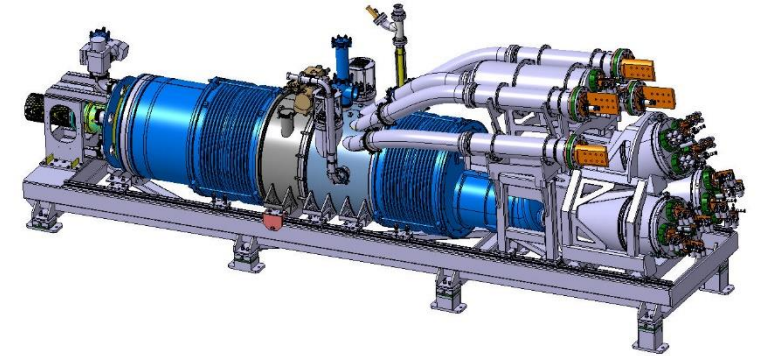
- 2D drawings of the helium chambers and Vacuum : 40 % done

Open points :

- Fixation of the vacuum chambers
 - Small details on the helium chambers
 - Reference EDMS document drawings folder
EDMS 2380816
-
- 2D drawings of the frame : to be done

Planning

- Planning DFHX
 - Detail drawings sign: 31.07.2020
 - Assembly drawing sign: 31.08.2020
- Planning DFHM
 - Detail drawings sign: 29.08.2020
 - Assembly drawing sign: 12.09.2020



DFHX – DFHM

